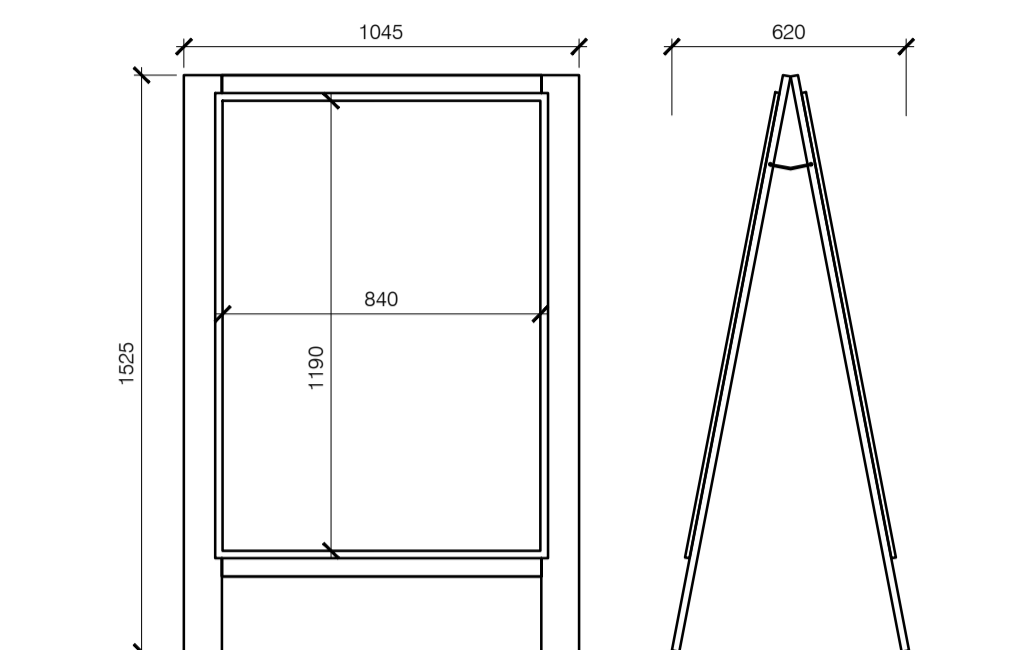
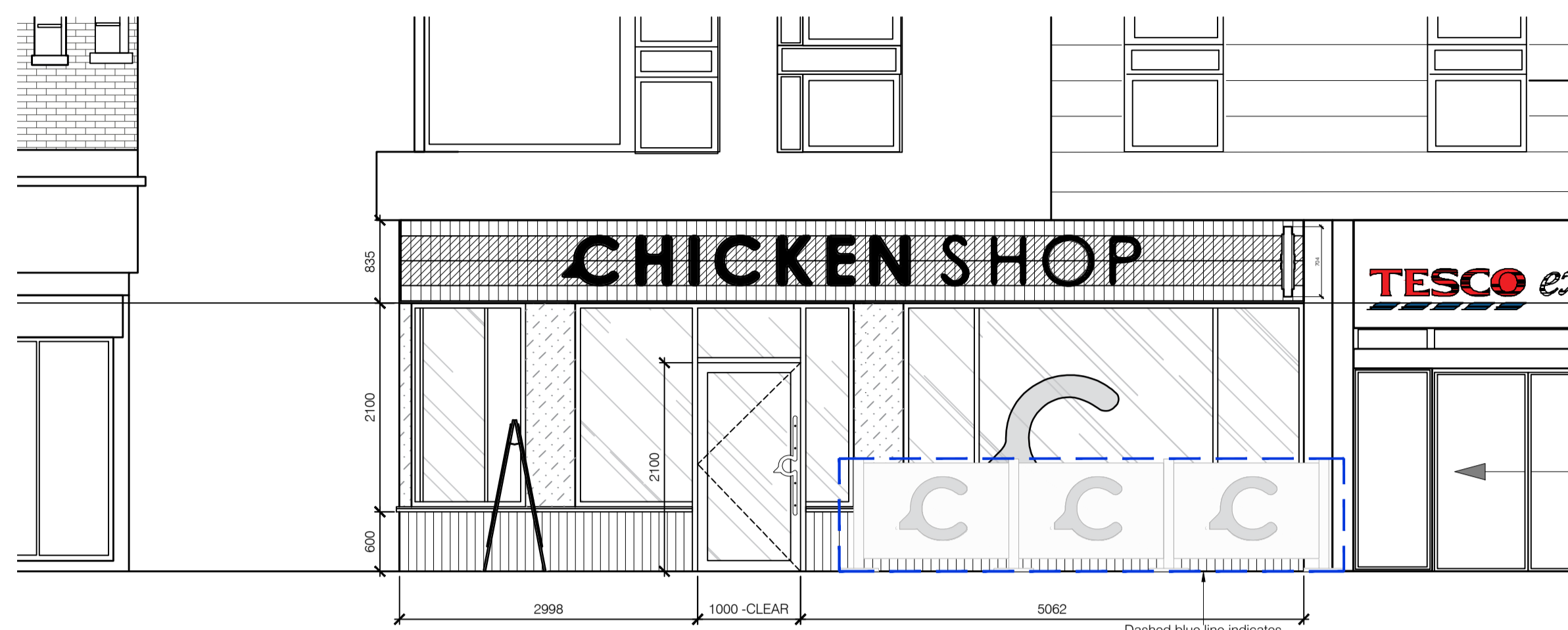


Rev	By	Date	Comment
A	JW	28.09.23	General updates following comments from planning

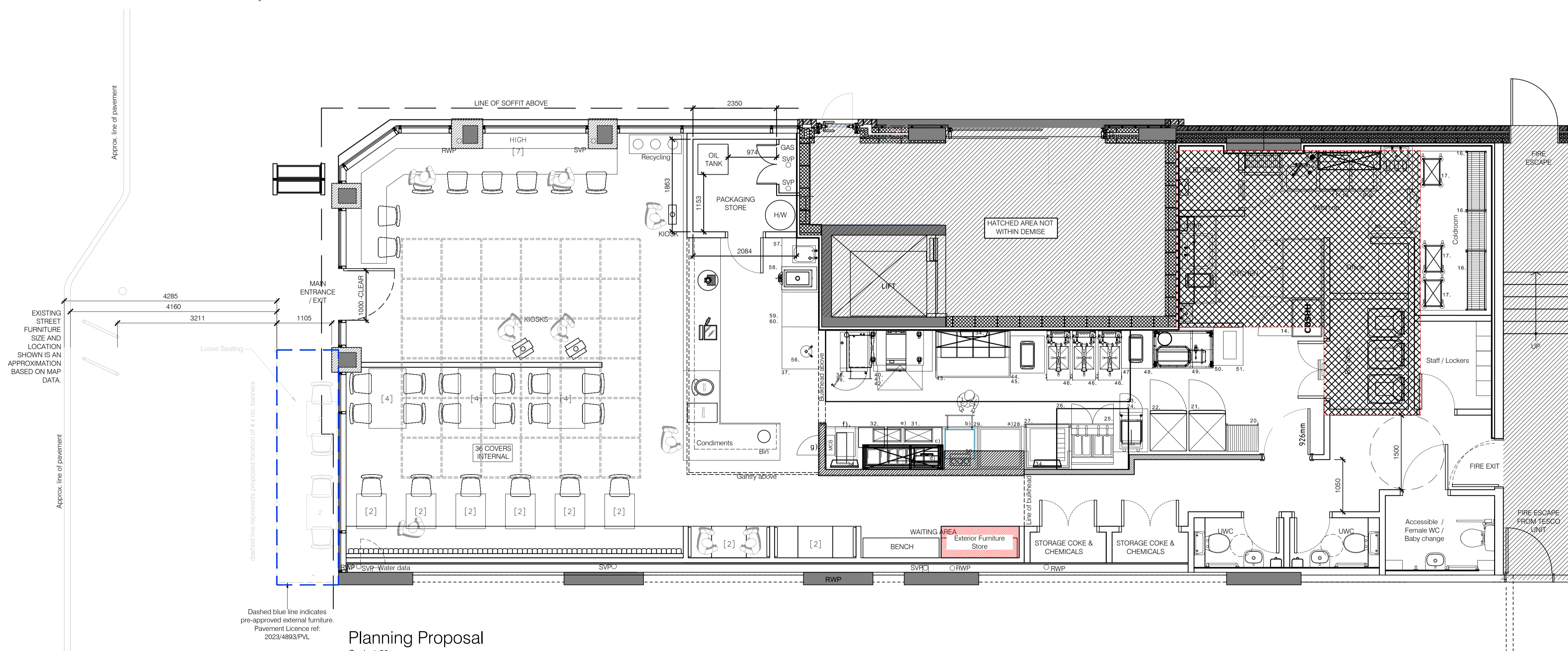
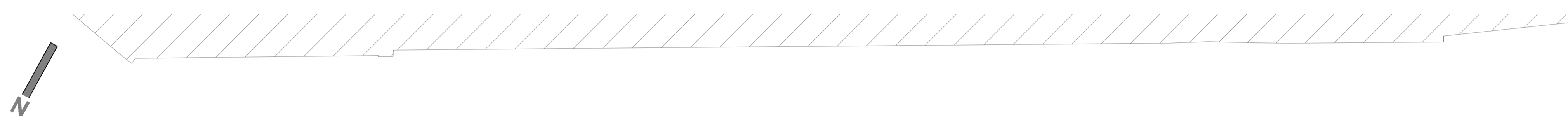


A-Board  
Front Elevation  
Scale 1:20

Side Elevation  
Scale 1:20



Proposed Shopfront Elevation  
Scale 1:50



Planning Proposal  
Scale 1:50



**AS BUILT**

CLIENT  
**CHIKN**

PROJECT  
159-161 Camden  
High Street  
NW1 7YH

TITLE  
Planning - A Board & External Furniture  
Proposed Layout

DRAWN  
JW

CHECKED

SCALE @ A1  
1/50

DATE  
September 2023

DRAWING NO.  
4884/75