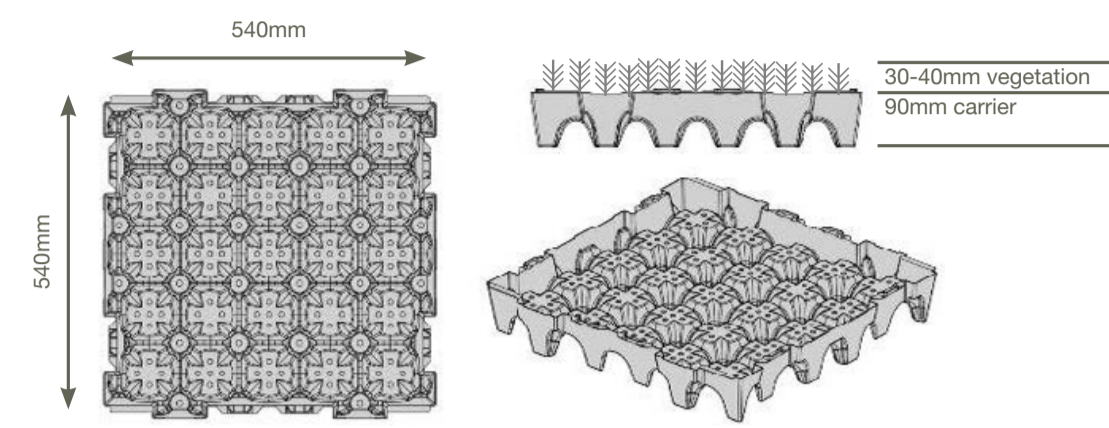


GrufeTile Specification Sheet

Key Facts

- Compressive strength 2.000 Kg/m²
- Water holding capacity of 20 litres/m²
- UV resistant
- Temperature range -50°C - 80°C
- Carrier material 100% Regenerated Polypropylene (PP)
- Carrier measures 540 x 540 x 90mm
- Drainage Surface 318 cm²/m²
- Outflow Volume 40 l/m²
- Saturated weight: Sedum 65kg/m², Others 75kg/m²
- 10 year guarantee

Your GrufeTile will be supplied with established plant coverage, growing on 60mm 100% recycled growing media. The GrufeKit has a saturated weight of 65kg per m² apart from Brown Wildflower which are 75kg per m².



Vegetation: The Sedum GrufeTile's are pre-grown with 8 -12 varieties of sedum, the Sedum & Wildflower has an additional 20-30 varieties of wildflower and meadow grasses, the Brown Wildflower has no sedum, just wildflowers and meadow grasses.



Carrier: Made from recycled HDPE plastic, and performs the following roles – a water reservoir, drainage layer, protection from excessive drying of roots from the airspace below, the cups greatly improve product handling making it easier to install

Installation: The item is equipped with a double-action coupling system: the tabs on the side of each part engage the edge in the gaps between tabs of the facing part.

Media: The media mix used is a special substrate prepared specifically for ANS, but particular mixes can also be prepared depending on the planting & project requirement.



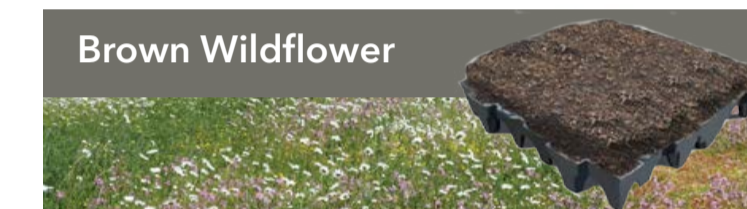
ANS Global, Aldingbourne Nurseries
Church Road, Aldingbourne, Chichester, PO20 3TU



www.grufekit.com

Unique Benefits

- ANS GrufeKit offers a 12 month warranty, no other company offers any kind of warranty on a self-install kit
- No one grows their product for longer (minimum 12-18 months)
- Competitive price versus built up system with none of the risk
- Unrivalled horticultural expertise and after-care for peace of mind on any post installation issues or queries
- Quicker to install than traditional systems 30sqm an hour can be installed by two labourers
- Almost no maintenance, especially in comparison to other systems (only needs weeding every 12 months)
- Partnered with and approved by a number of waterproofing manufacturers
- Incredibly popular alternative to traditional flat roofing, as seen on Grand Designs/Planet Earth II



ansgroupglobal.com

This drawing is not to be scaled for construction purposes. All dimensions are to be checked on site before any work is put in hand. If in doubt, ask.

Copyright © 4H Architecture Limited 2023
Registered in England & Wales.
Registered No. 12112149
4H is the trading name of 4H Architecture Limited

note / legend

How to maintain your GrufeKit

Thank you for choosing our all-in-one GrufeKit. Once your GrufeKit has been installed (see instructions overleaf) here's how to look after it. No immediate aftercare is required at the time of installation. Each GrufeTile comes to site fully established with pre-grown vegetation eliminating the need of any irrigation. Here's how to ensure your green roof stays in good condition:

Hand weed and remove unwanted seedlings

Clear gutters or drainage outlets of vegetation

Feed the roof with organic phosphate and potasium

Ensure stone perimeters are clear of dead and live plants

Clear any leaves that have fallen from deciduous trees

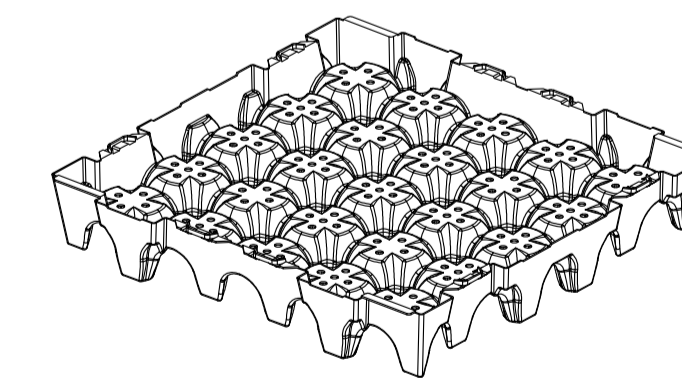
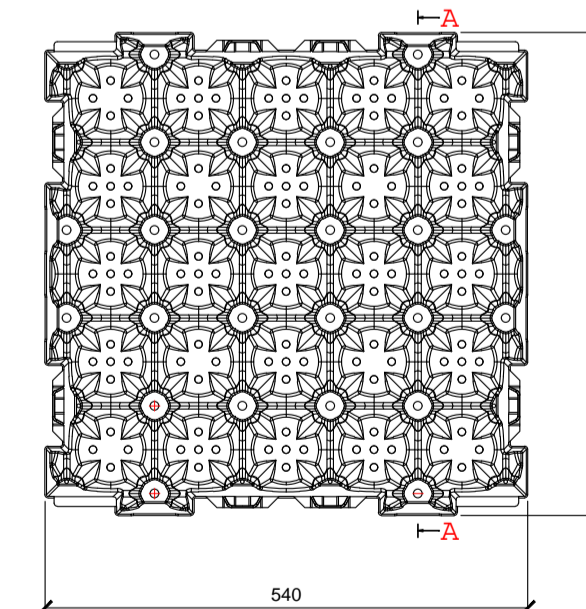
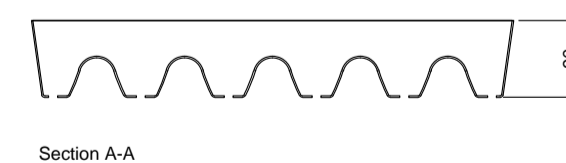
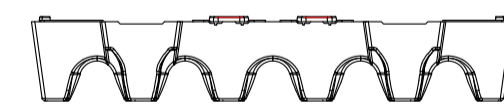


- Maintenance should be carried out in early Autumn.
- Where breeding birds are expected, this should be undertaken once the nesting season has ended.
- Sedum will go red when stressed through dry or cold weather and sometimes when it is low on organic nutrients. This does not mean the roof is dead. You can either wait for rain or irrigate the roof once a week for approximately 1 hour.

Got questions? Visit our help and advice center:
www.grufekit.com/help



NOTES
- All dimensions are in mm unless otherwise stated



ANS Group (Europe) LLP,
Aldingbourne Nurseries, Church Road,
Aldingbourne, Chichester, PO20 3TU
+44 (0)148 525 5256 | +44 (0)148 525 5256 |
info@ansgroupglobal.com | www.grufe.co.uk

InstaGrufe DWG

| | | | |
|-----|------|----|------|
| REV | DATE | BY | CHKD |
| | | | |

| No. | Date | Description |
|------|------------|-------------|
| PL01 | 17.01.2024 | Planning |
| | | |
| | | |
| | | |

project
134_35 Christchurch Hill

site address
35 Christchurch Hill
London
NW3 1LA

client
Private Client

drawing title
Proposed - Green Roof

project number_drawing number_revision
134_811_PL01

date
17.01.2024.

designed / drawn by
4H Architecture
phone 07515 772458
email info@4harchitecture.co.uk

scale
1:50 @ A1