



Estimate Ref	B4783
Your Ref	

**ITEM 1**

**Side Hung Butt Hinged**

**Height:**  
1250mm

**Width: 500mm**

**Style #71**

Location	Window 1		
System	Luxury Subframe; Face Fix, MDF (SF1) TM1 White Plastic		
Glass	Single Glazed 4mm Toughened.		

Colour	HIPCA White	Price Each	£256.09
RAL Number	9910	Quantity	1
Gloss Level	Semi Gloss	Price Total	£256.09

**ITEM 2**

**Lift Out Unit**

**Height:**  
1250mm

**Width: 550mm**

**Style #12**

Location	Window 2		
System	Slim-line Equal Leg; Face Fix, No Subframe TM0 Primed Tulip		
Glass	Single Glazed 4mm Toughened.		

Colour	HIPCA White	Price Each	£116.81
RAL Number	9910	Quantity	1
Gloss Level	Semi Gloss	Price Total	£116.81

**ITEM 3**

**Side Hung Butt Hinged**

**Height:**  
1250mm

**Width: 500mm**

**Style #72**

Location	Window 3		
System	Luxury Subframe; Face Fix, MDF (SF1) TM1 White Plastic		
Glass	Single Glazed 4mm Toughened.		

Colour	HIPCA White	Price Each	£256.09
RAL Number	9910	Quantity	1
Gloss Level	Semi Gloss	Price Total	£256.09

**ITEM 4**

**Side Hung Butt Hinged**

**Height:**  
1170mm

**Width: 500mm**

**Style #71**

Location	Window 4		
System	Luxury Subframe; Face Fix, MDF (SF1) TM1 White Plastic		
Glass	Single Glazed 4mm Toughened.		

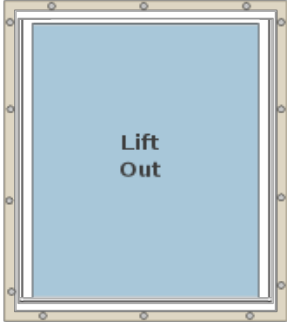
Colour	HIPCA White	Price Each	£255.37
RAL Number	9910	Quantity	1
Gloss Level	Semi Gloss	Price Total	£255.37



**DURATION  
WINDOWS**

Estimate Ref	B4783
Your Ref	

**Lift Out Unit** ITEM 5



Height: 1170mm

Width: 500mm

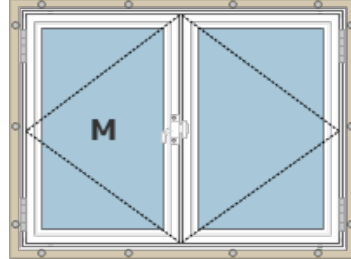
Style #12

Location	Window 5		
System	Luxury Subframe; Face Fix, MDF (SF1) TM1 White Plastic		
Glass	Single Glazed 4mm Toughened.		

Colour	HIPCA White	Price Each	£120.34
RAL Number	9910	Quantity	1
Gloss Level	Semi Gloss	Price Total	£120.34

**Double Butt Hinged** ITEM 6

Equal Splits



Height: 1180mm

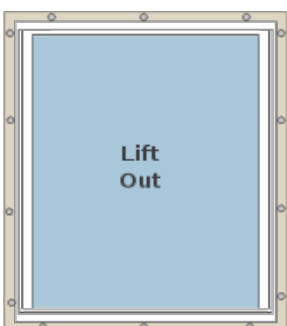
Width: 1000mm

Style #73

Location	Window 6		
System	Luxury Subframe; Face Fix, MDF (SF1) TM1 White Plastic		
Glass	Single Glazed 4mm Toughened.		

Colour	HIPCA White	Price Each	£454.94
RAL Number	9910	Quantity	1
Gloss Level	Semi Gloss	Price Total	£454.94

**Lift Out Unit** ITEM 7



Height: 1180mm

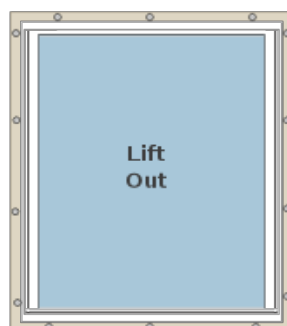
Width: 585mm

Style #12

Location	Window 7		
System	Luxury Subframe; Face Fix, MDF (SF1) TM1 White Plastic		
Glass	Single Glazed 4mm Toughened.		

Colour	HIPCA White	Price Each	£122.31
RAL Number	9910	Quantity	1
Gloss Level	Semi Gloss	Price Total	£122.31

**Lift Out Unit** ITEM 8



Height: 1180mm

Width: 585mm

Style #12

Location	Window 8		
System	Luxury Subframe; Face Fix, MDF (SF1) TM1 White Plastic		
Glass	Single Glazed 4mm Toughened.		

Colour	HIPCA White	Price Each	£122.31
RAL Number	9910	Quantity	1
Gloss Level	Semi Gloss	Price Total	£122.31

Estimate Ref	B4783
Your Ref	



**DURATION  
WINDOWS**

## Estimate Summary

<b>Total Number of Items:</b>	8
<b>Total Cost of Goods:</b>	£1,704.26
<b>Online Discount:</b>	£0.00 (N/A)
<b>RAL Surcharge:</b>	£0.00 (N/A)

### Please Note:

This quote was calculated using a Retail discount.

The price shown here is a total price for the 8 item(s) on pages one and two - You have received an extra discount for 6+ items. All prices exclude VAT and delivery. This price does not include an online discount. Please read this page in conjunction with pages 4 and 5.

**Total Price:** **£1,704.26** +VAT +Delivery

A 'RAL Surcharge' is only applied to orders that include RAL painted frames. Due to the bespoke nature of RAL painted products, they incur a surcharge for each different colour. Our Secondary Glazing can be white, brown, or silver or painted in any of over 200 different RAL colours, in a matt, gloss or semi gloss finish.

## Optional Extras

### Cover Trims

Our Slim-line Equal Leg comes with TM0 cover trims as standard, while our Luxury Subframe system comes with TM1 cover trims as standard. Wider Trims are available, costing around 20p - 60p per/m.

The Slim-line system and Luxury system with MDF subframe have white plastic trims, while other hardwood subframe options come with Trims to match the subframe. i.e. if you have a solid oak subframe the trims are also solid oak.

You can however have any trims you like for an extra cost. Contact us for a price / more information.

[Find Out More](#)

### Gaskets

Gaskets come in black as standard, for all systems however you can choose grey or white gaskets, for all 4mm single glazing options, currently at **no extra cost**.

[Find Out More](#)

### Insulating Frame Foam

You can add insulating foam to our Slim-line Equal Leg frames for an extra **£3 /m**. The foam is applied into the channel in the outerframe. Before fitting simply remove the plastic seal and the foam will slowly expand to fill the gap around your secondary glazing.

[Find Out More](#)

**Pre-drilling frames:** All face fix and deep face frames are pre-drilled as standard for ease of installation, but due to the unknown nature of the walls of the reveal, all reveal fix frames cannot be pre-drilled. For example there could be electrical wires, gas or water pipes within the walls of the property either side of the existing window.

## Your Details

Customers Name: TBA

Company Name: MASSIMOPERRONE

Email Address: TBA

Mobile Number: TBA

Landline Number: TBA

VAT Details: None.

VAT Check: Not Checked. (Office Quote)

VAT Result: ...

## Invoice Address

To Be Acknowledged

## Delivery Address

To Be Acknowledged

For information on our standard delivery area and the cost of delivery see pages 4 and 5. We are a supply only manufacturer, but if you require an installation service please contact us and we will provide you with the details of companies in your area.



## Notes, Terms & Conditions

### **The Warning Icon**

Designs that display a warning icon are either overweight, outside the recommended sizes or may require toughened or 6mm glass to be specified. We may not be able to manufacture or price these items. Please contact our sales department to discuss your options.

### **The Handling Icon**

Designs that show a handling icon are considered to be large and/or heavy. They may be difficult to handle and we would recommend that you carry out a risk assessment before lifting or installing these units. Two people may be required when handling these units. Contact us for more information.

### **Hardware Colours**

Hardware is available in the colours outlined below:

Horizontal Sliders (except Heavy Duty Sliders) come with colour matched aluminium catches, there is no choice of colour. Horizontal & Vertical Heavy Duty Sliders, Tilt Back Vertical Sliders and Hinged units come with white or black Fitch catches. Unbalanced Vertical Sliders come with plastic finger pulls, while all balanced vertical sliders (except Heavy Duty Sliders) come with a silver Fitch catch. Generally speaking; White painted secondary glazing will have white handles as standard, wherever possible, and all other paint colours will have black handles as standard, wherever possible. You can however choose your handle colour from the available colours, if you don't want the standard handle colour.

### **How Do I Order & What Happens Next?**

To order this quote, click the 'Place My Order' button on the basket page of the online estimator. Once you have filled out your details, click the 'Proceed' button and your order request will be sent to us. You will also be emailed a confirmation of your order request. You will not be able to make any further changes to your quote, if you need to make any changes, [contact us](#) directly. Alternatively [send us](#) this PDF along with your contact details, stating that you wish to turn this quote into an order.

**We do not require any money** at this stage. Once you have requested that your quote be turned into an order we may contact you within the next few days, during normal [office hours](#) to discuss items with warnings, confirm window details, delivery address, lead time etc.

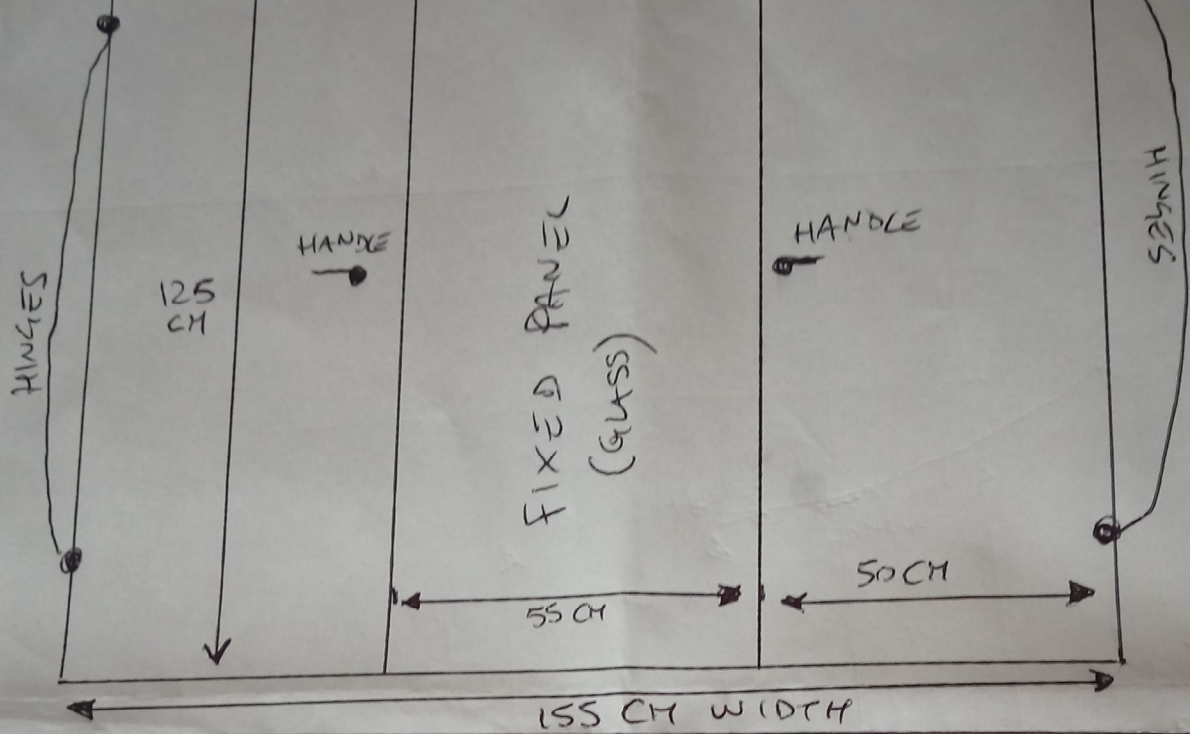
We will then check your designs, process your order and email you an order sign off. Only once we have sent you an order sign off, will we discuss payment. You will need to check this, sign & return it and pay any deposits. Until you do this your order will not have been officially accepted as an order, and will be temporarily put on hold. It is therefore important that you sign and return the order sign off and pay any deposits as soon as possible. Once you have done so, your order will be put through to production to begin the manufacturing process.

### **Payment Terms & Conditions**

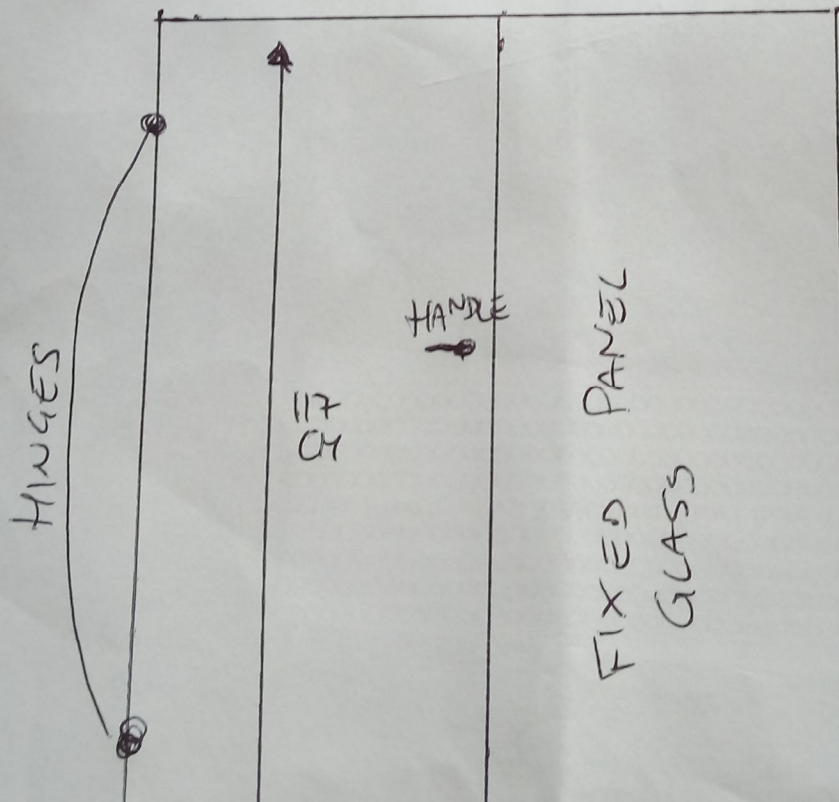
All items are priced individually. Prices exclude VAT. Payment terms are C.O.D. Most credit cards are accepted. First orders and any order values in excess of £5,000 will require a deposit and the balance payable on delivery. Estimates stand for 8 weeks and are not an offer to supply goods. Estimates are merely an estimate of costs, which Duration Windows reserve the right to vary, substitute or withdraw without prior notification.

### **Lead Times**

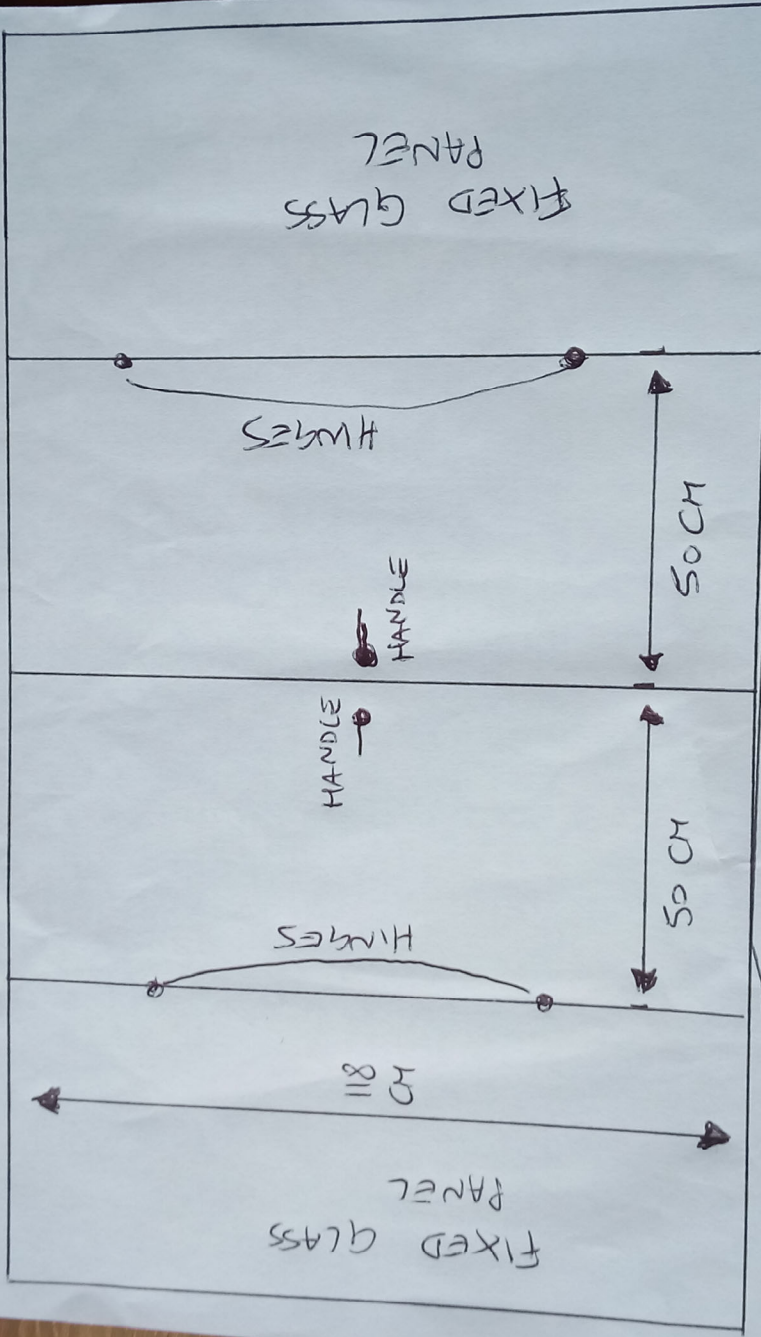
An estimated lead time will be shown on your order sign off. Once you sign and return your order sign off and pay any deposits, your order will go round to Production. Production will confirm your lead time and provide a week commencing date. Generally speaking orders in standard white have a lead time of 2-3 weeks, other colours will be a little longer. Lead times vary so please contact Sales for current lead times. If you require your order ASAP then please speak to us and ask about our [Fast Track Ordering](#) service.



LIVING ROOM 2



BEDROOM



217 CM WIDTH

FIXED GLASS  
PANEL

HINGES

50 CM

HANDLE

50 CM

HINGES

208

FIXED GLASS  
PANEL







