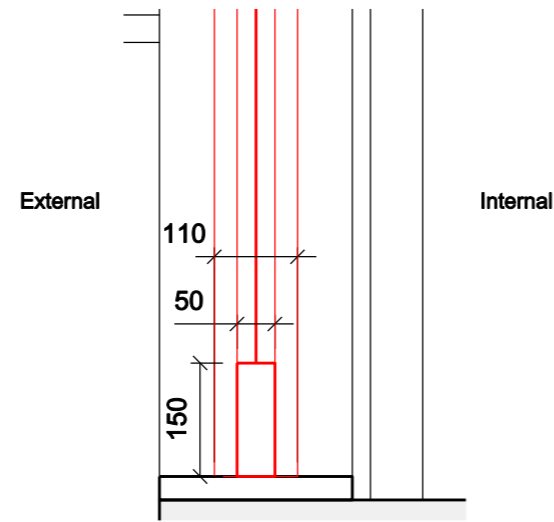
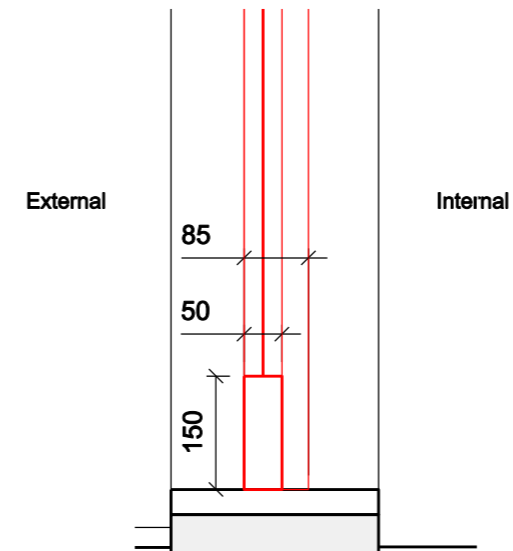


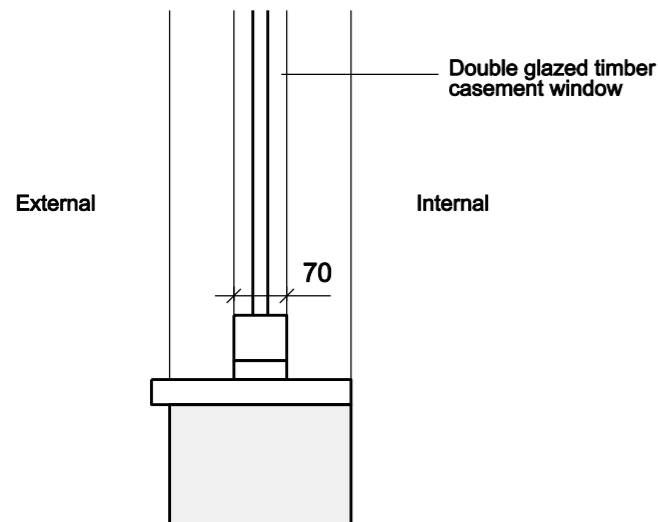
01 Existing Timber Bedroom Windows



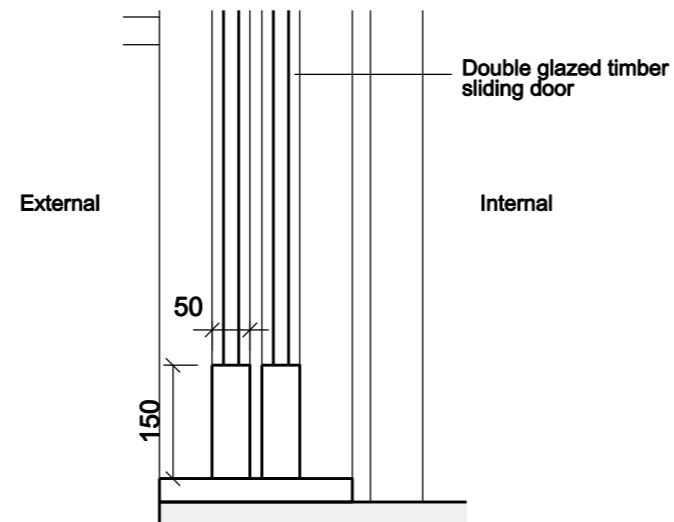
02 Existing Timber Hallway French Door



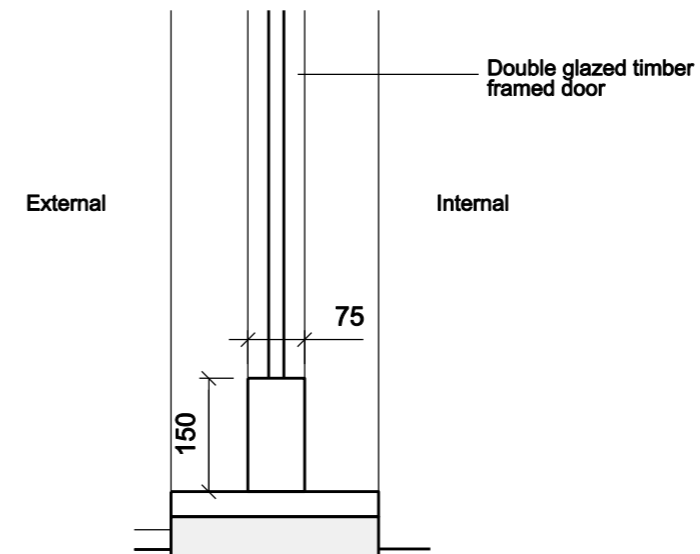
03 Existing Timber Livingroom French Doors



04 Proposed Timber Bedroom Windows



05 Proposed Timber Hallway Sliding Door



06 Proposed Timber Livingroom French Doors

NOTES:	KEY:	Orientation	P00 27/10/2023 FOR PLANNING		McNeil Architects Ltd 8 Lindley Road London E10 8QT www.mcneilarchitects.com t: 07970 982 387
			revision date ammendment - This drawing is for planning submission purposes only - do not scale from this drawing - all dimensions to be checked on site by the contractor - report all omissions and/or errors to McNeil Architects - all dimensions in millimetres unless otherwise stated - if in doubt contact administrator for clarification - all drawings are the copyright of McNeil Architects Ltd		
			job title 2 FALKLAND PLACE drawing title EXISTING & PROPOSED WINDOWS/DOORS		
			status For Planning drawing no revision scale 1:10 @ A3 054-P-020 P00		
			job no 054		