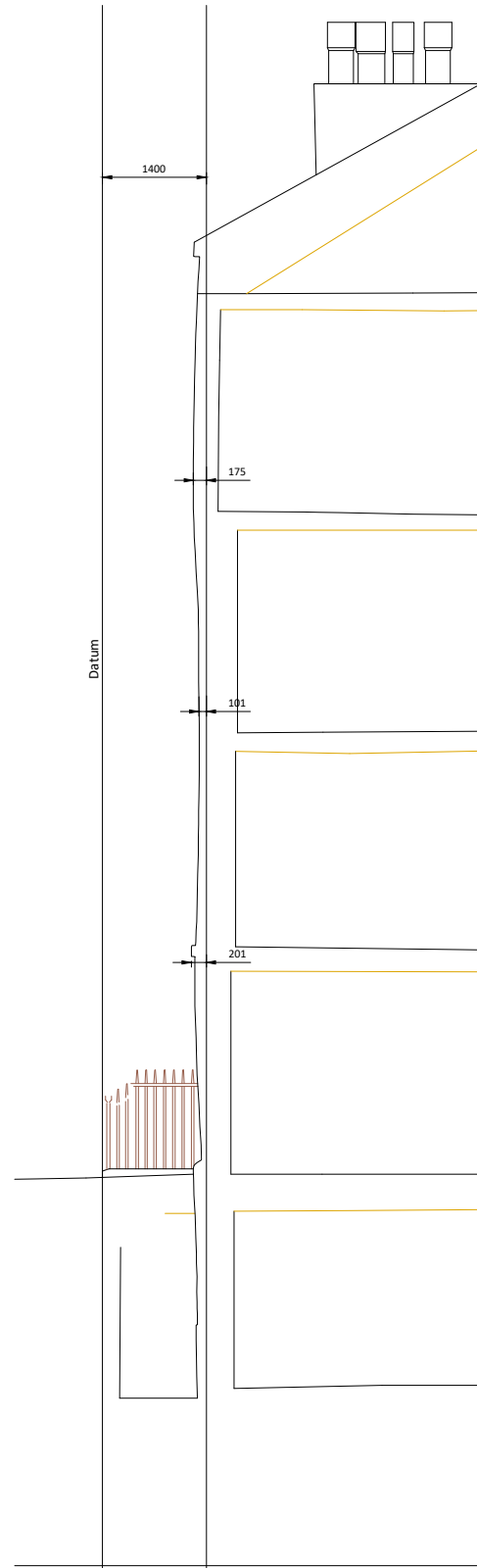
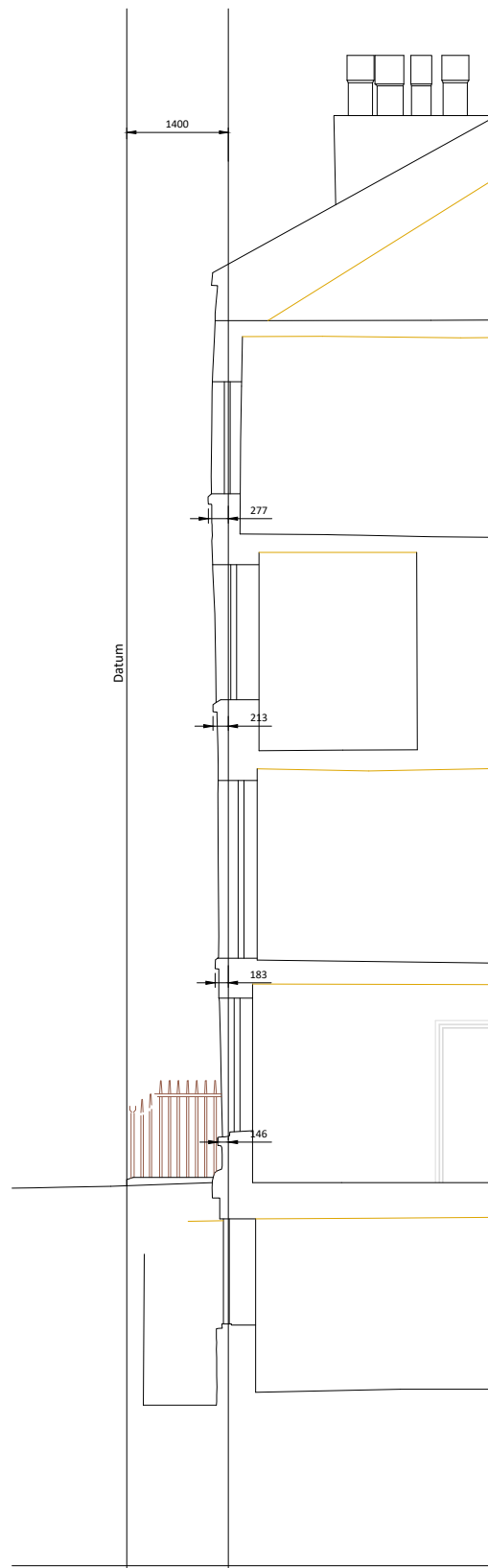


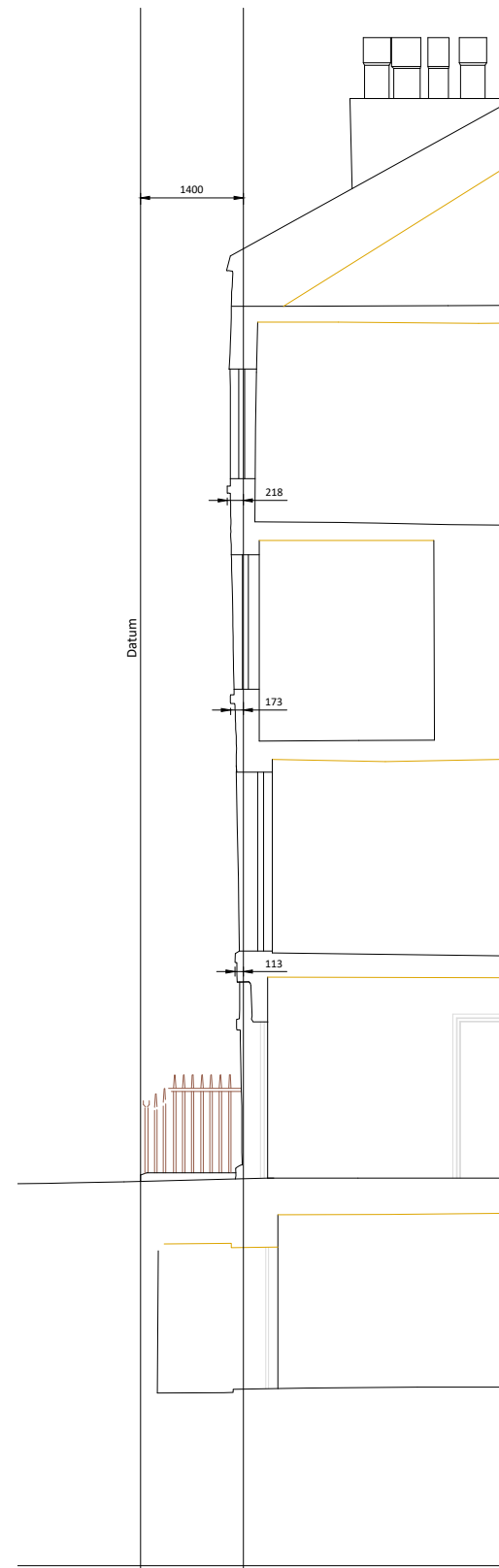
SECTION 1



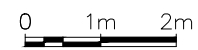
SECTION 2



SECTION 3



SECTION 4



FOR INFORMATION

Rev.	Date	Description	by	ch'd	app
A	19/12/23	ISSUED FOR INFORMATION	OT	SB	SJM

Project
**16 Church Row
 London
 NW3 6UP**

Title
EXISTING SECTIONS

C/A
Sentinel Residential

Elite Designers Structural Engineers
 3 Princeton Court
 53-55 Felsham Road
 Putney
 London SW15 1AZ
 +44 (0)20 8785 4499
 elitedesigners.co.uk



Scales (A3)	1:100@A3		Drng. No.	Rev.
Drawn	OT	09/11/21	2023-026- 07	A
Ch'd(Eng.)	SB	09/11/21		
Approved	SJM	09/11/21		