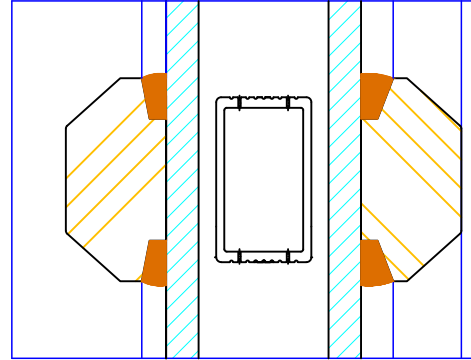
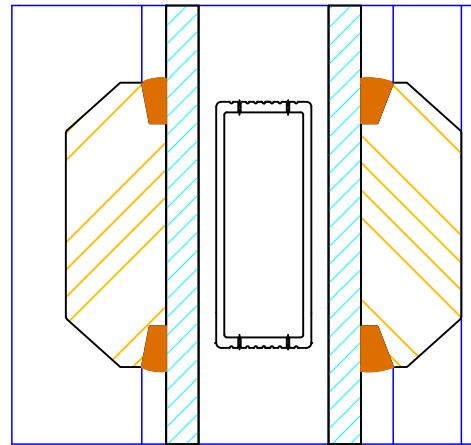


16

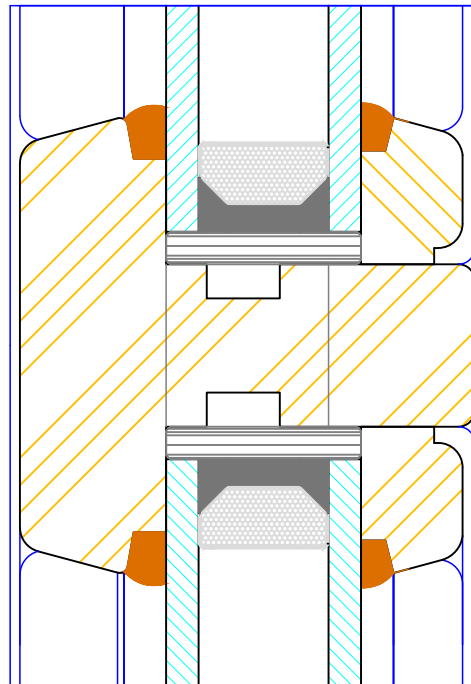


25



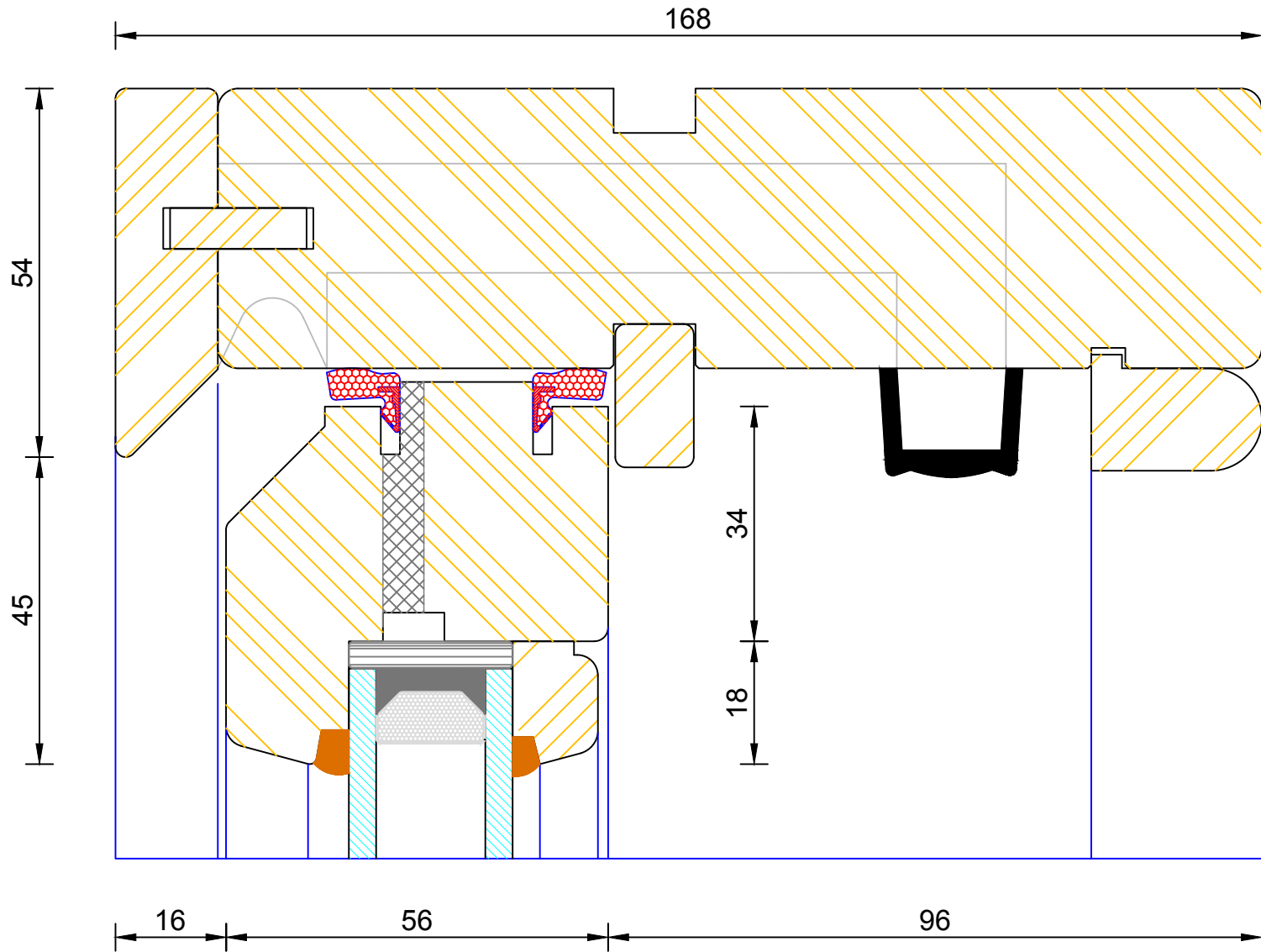
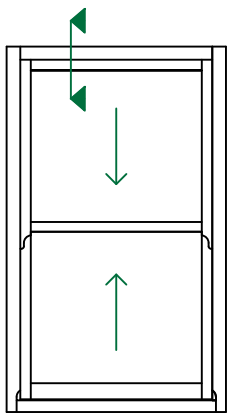
35

56 (varies min 56 / max 110mm)



18  
20  
18

DIMENSIONS	PLOT SIZE	SCALE	DATE	REV	DWG NO.
MM	A4	1:1	13.01.2011	A	<b>0402</b>

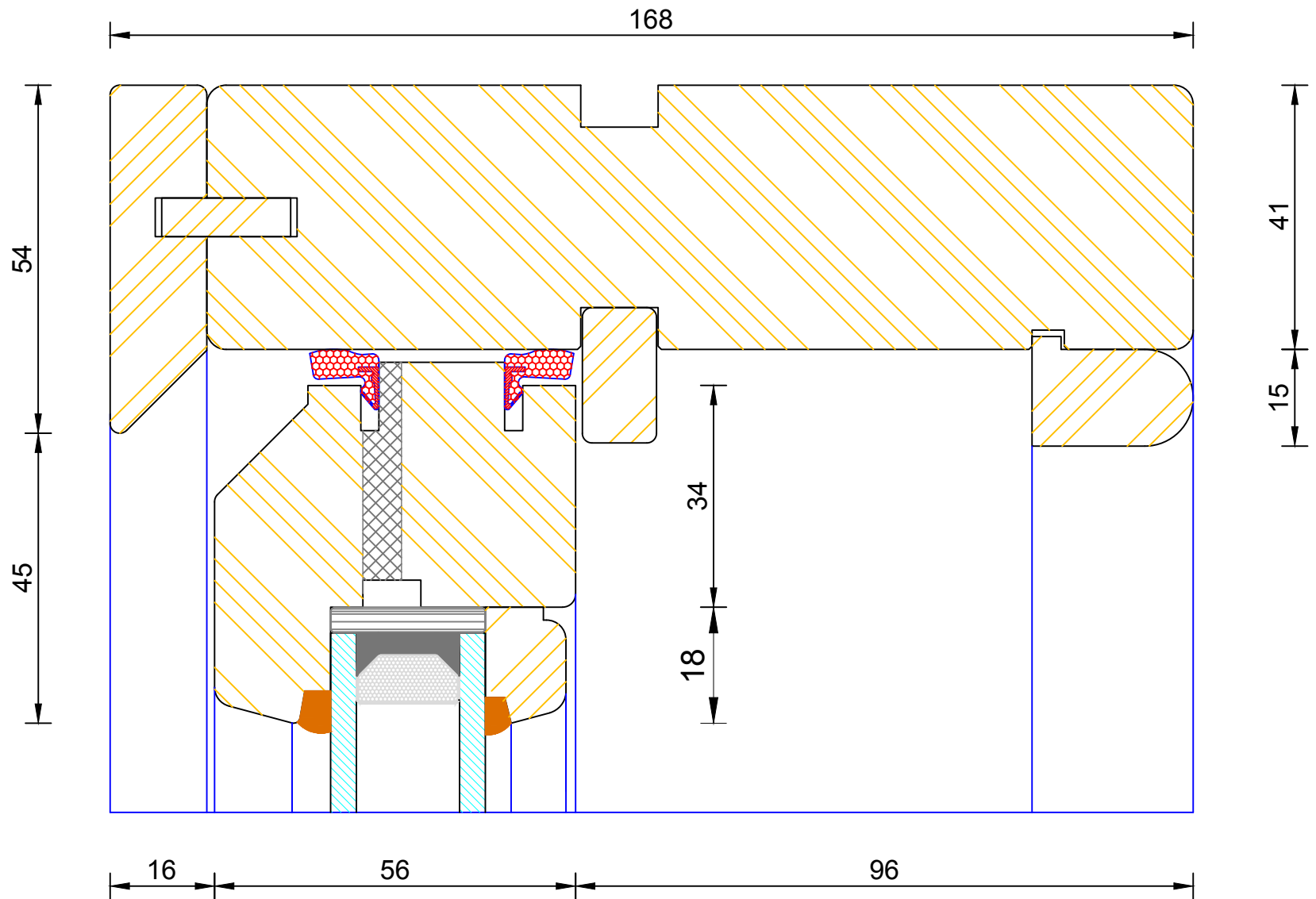
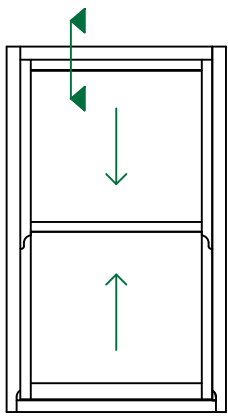


**Contemporary Sliding Sash Spiral Balance  
Frame & Sash Head (With Vent)**

DIMENSIONS	PLOT SIZE	SCALE	DATE	REV	DWG NO.
MM	A4	1:1	13.01.2011	A	<b>0403</b>

Please consider the environment before printing

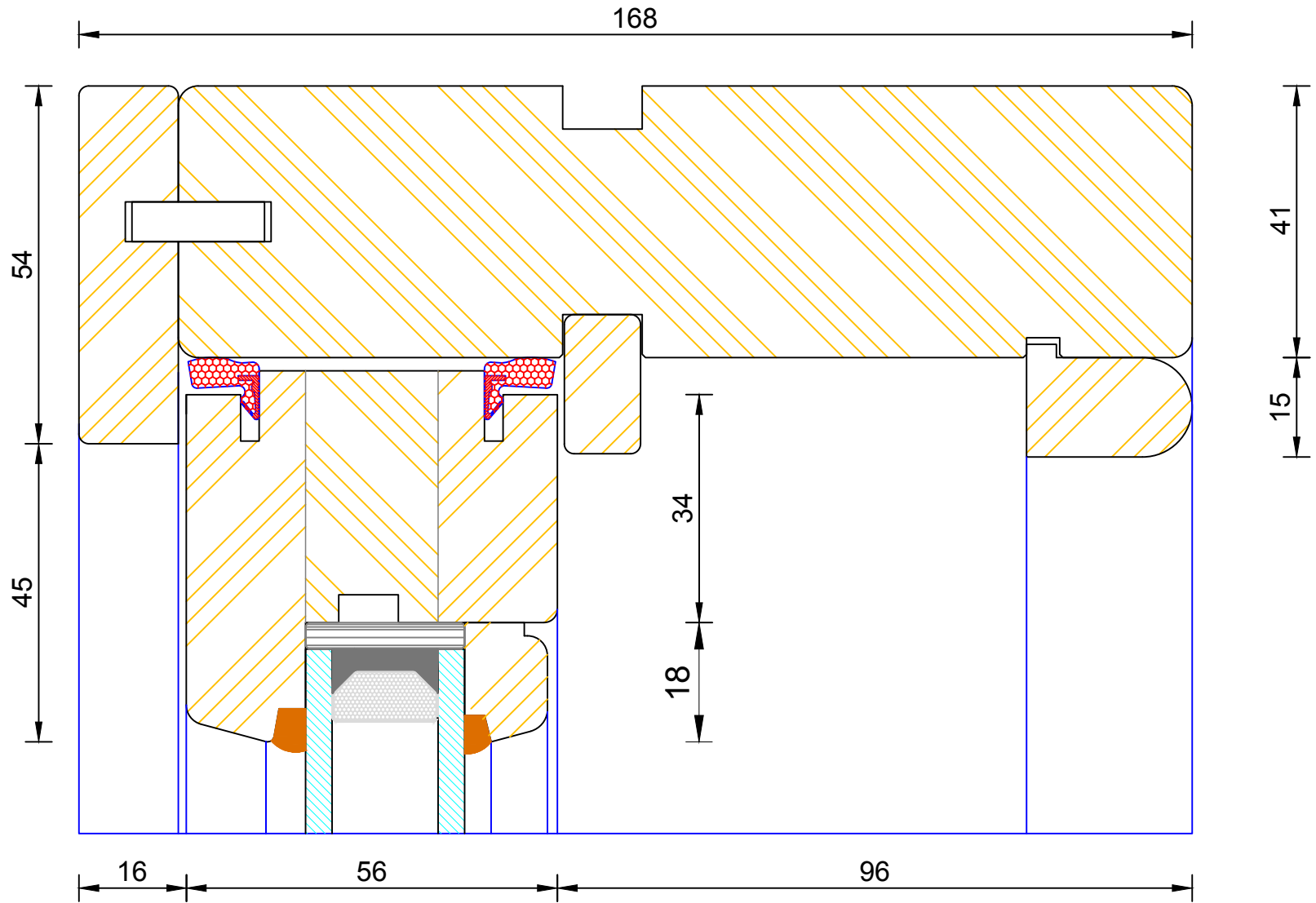
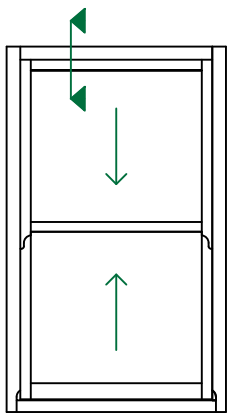
Note: Detail Used  
1/ If order has vents specified



**Contemporary Sliding Sash Spiral Balance  
Frame & Sash Head (Without Vent)**

DIMENSIONS	PLOT SIZE	SCALE	DATE	REV	DWG NO.
MM	A4	1:1	13.01.2011	A	<b>0403.1</b>
Please consider the environment before printing					

Note: Detail Used  
1/ If order has a mixture of windows with and without vents



Note: Detail Used  
 1/ Windows with a curved head  
 2/ Straight head without vent specified to all windows

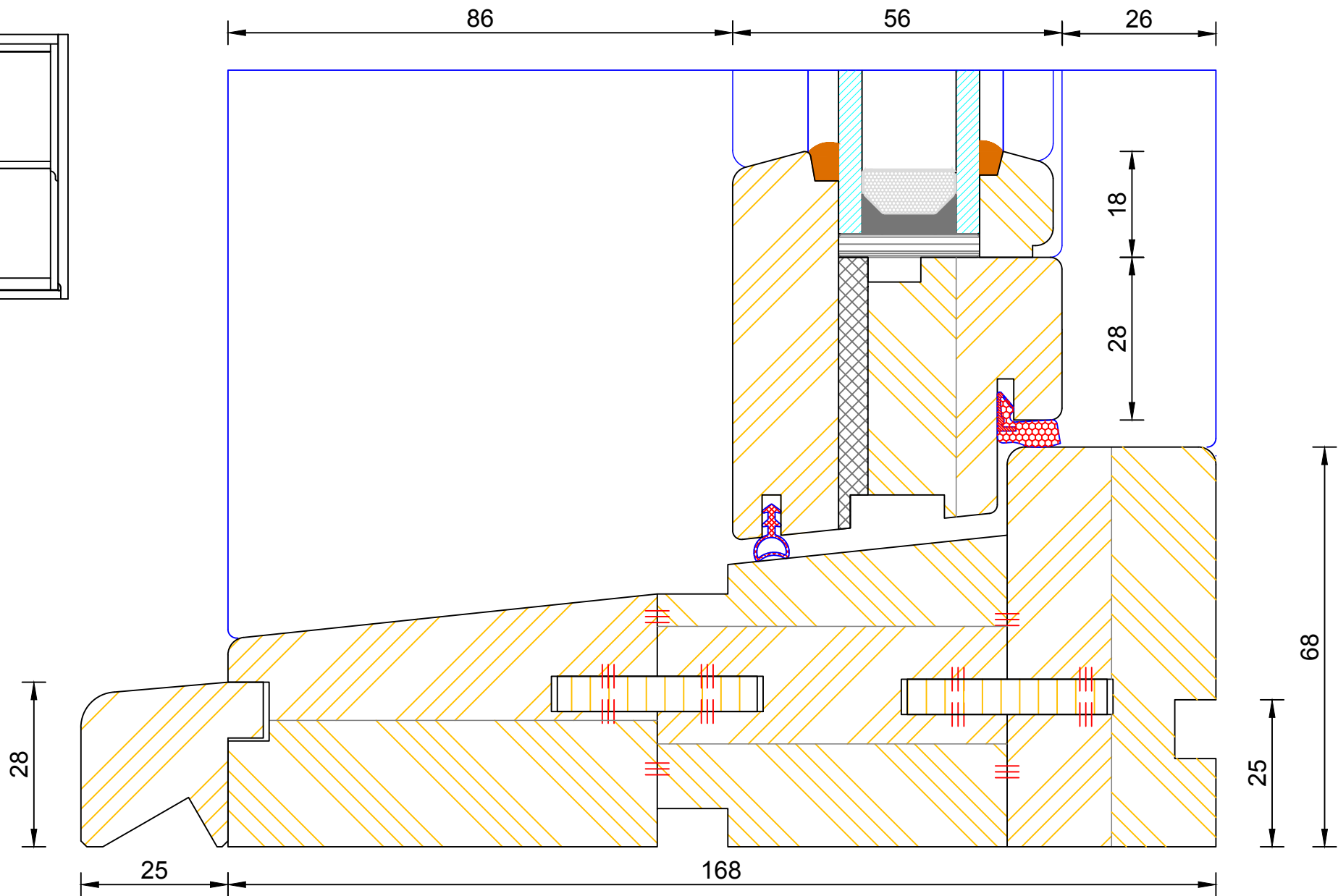
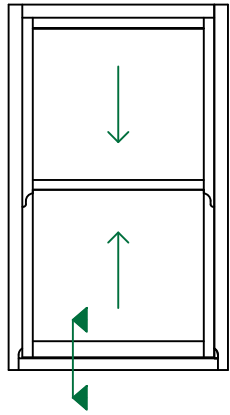
If order has a mixture with and without vents then all windows will have vent detail profile. See drawing number 0503 & 503.1



### Contemporary Sliding Sash Spiral Balance Frame & Sash Head

DIMENSIONS	PLOT SIZE	SCALE	DATE	REV	DWG NO.
MM	A4	1:1	13.01.2011	A	<b>0403.2</b>

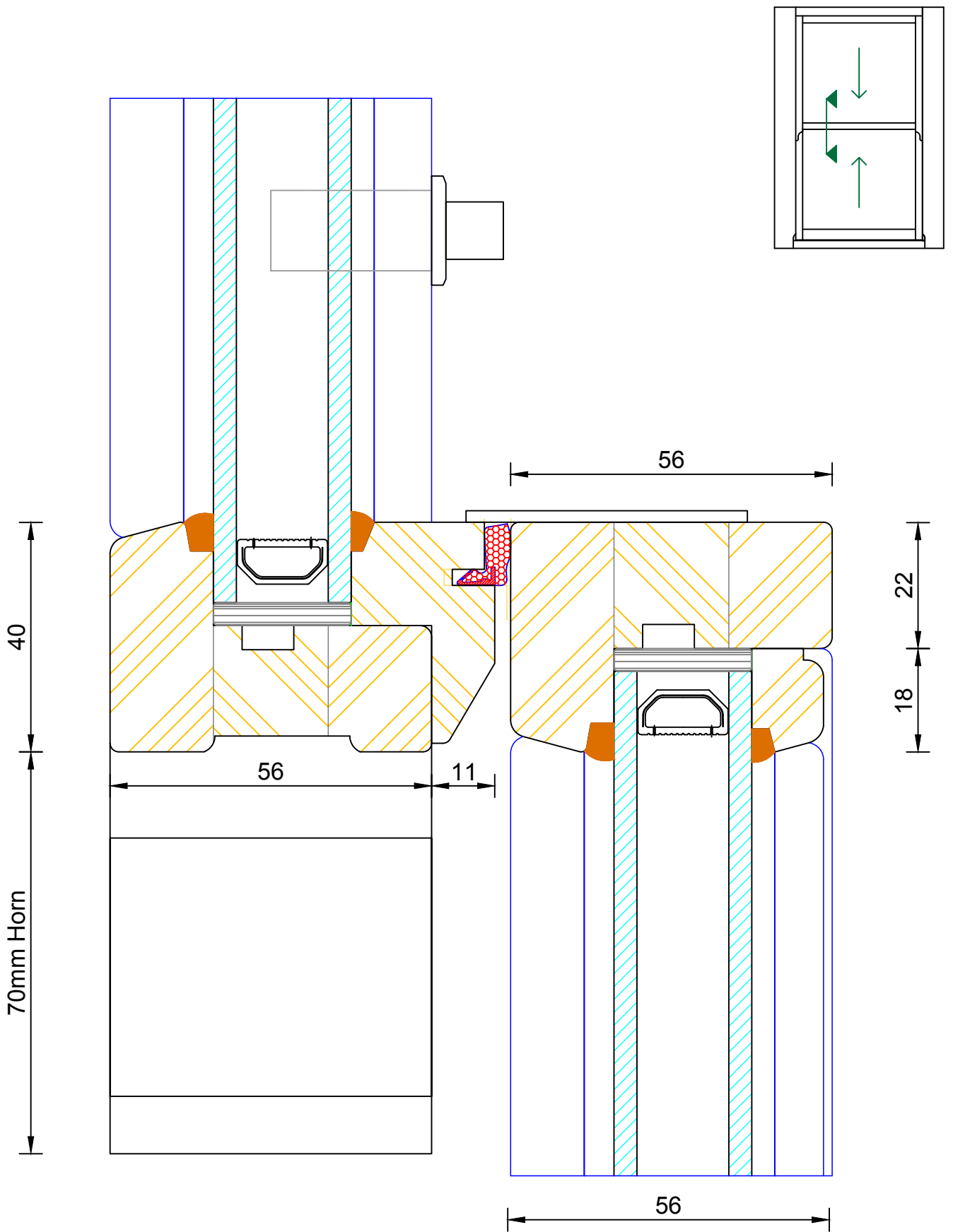
Please consider the environment before printing



**Contemporary Sliding Sash Spiral Balance  
Frame & Sash Cill**

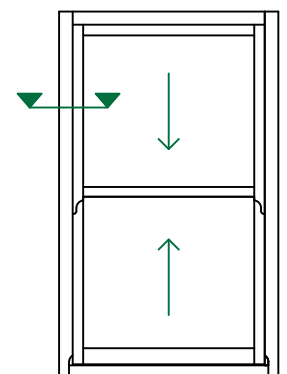
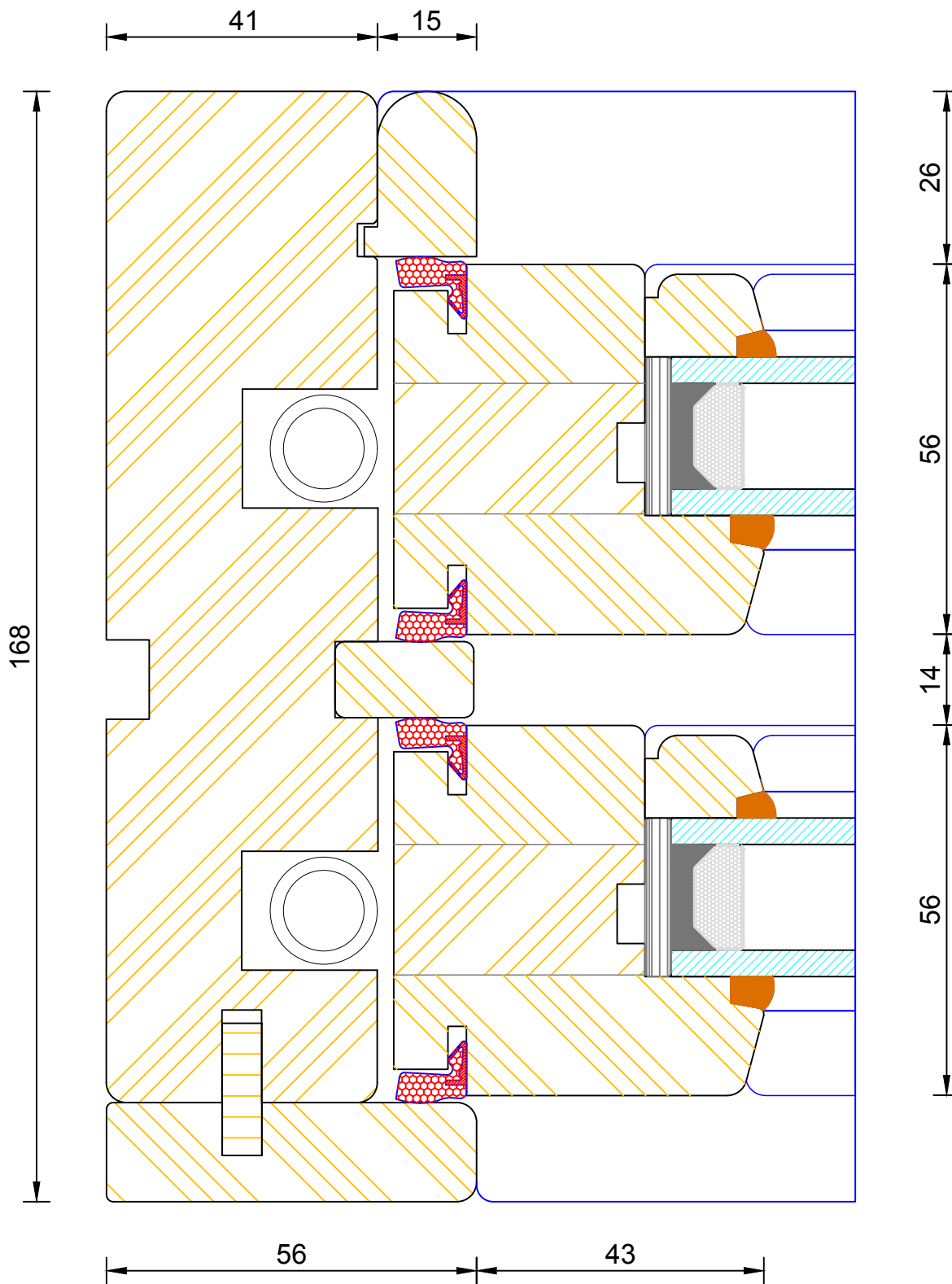
DIMENSIONS	PLOT SIZE	SCALE	DATE	REV	DWG NO.
MM	A4	1:1	13.01.2011	A	<b>0404</b>
Please consider the environment before printing					

CILL EXTENSION - available options:  
 25mm (193mm o/a) / 47mm (215mm o/a) /  
 62mm (230mm o/a) / 87mm (255mm o/a) /  
 100mm (268mm o/a) / 114mm (282mm o/a) /  
 140mm (308mm o/a)



**Contemporary Sliding Sash Spiral Balance Meeting Rail**

DIMENSIONS	PLOT SIZE	SCALE	DATE	REV	DWG NO.
MM	A4	1:1	10.03.2011	A	<b>0405</b>
Please consider the environment before printing					

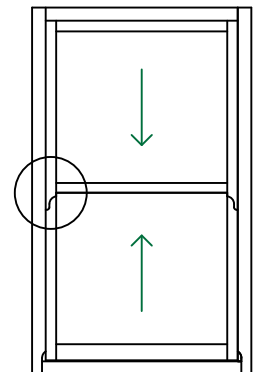
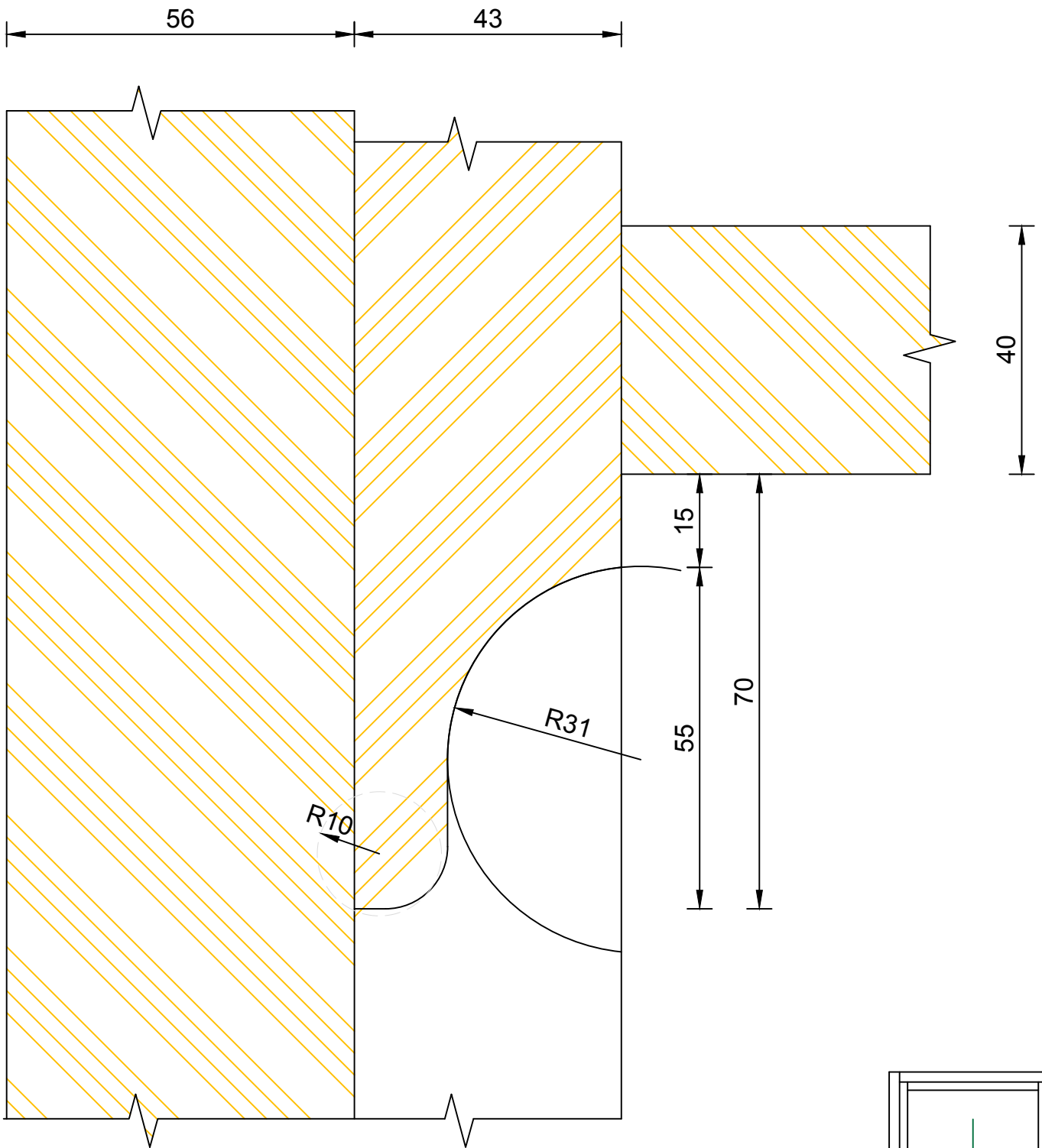


**Contemporary Sliding Sash Spiral Balance  
Frame & Sash Jamb (Standard Inline)**

DIMENSIONS	PLOT SIZE	SCALE	DATE	REV	DWG NO.
MM	A4	1:1	13.01.2011	A	<b>0406.1</b>

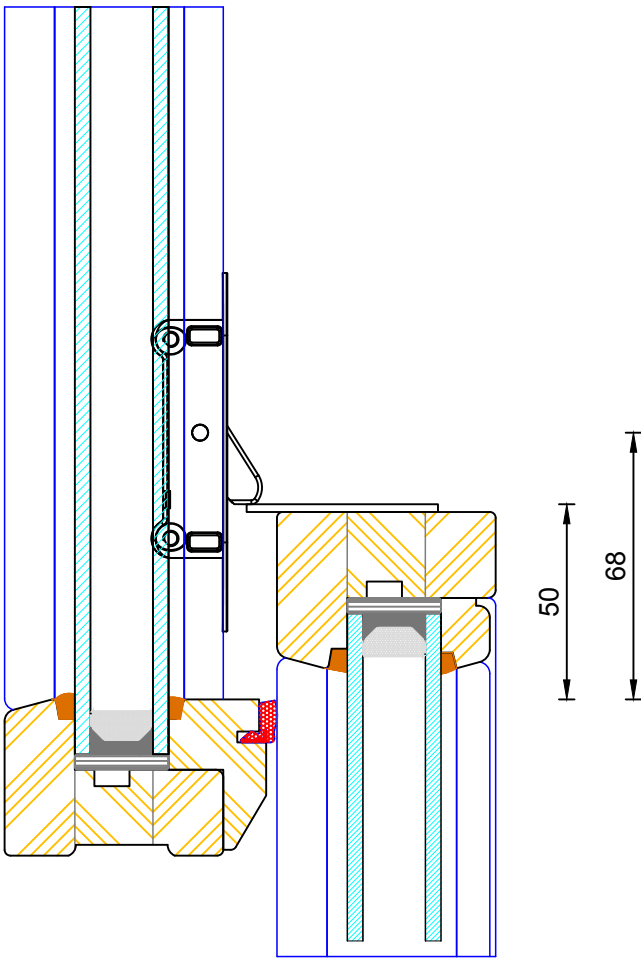
Please consider the environment before printing



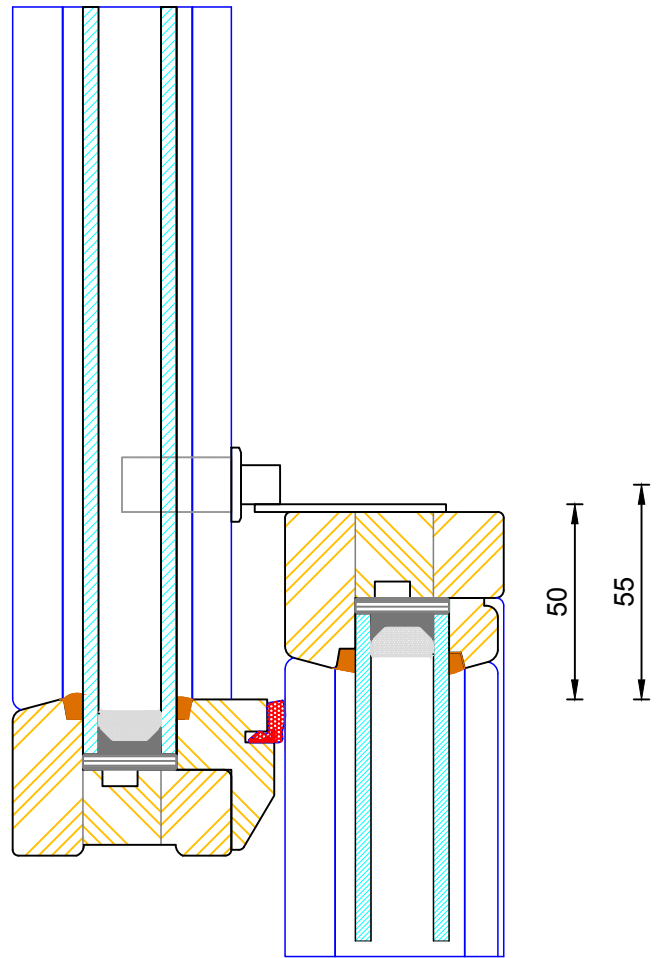


**Contemporary Sliding Sash Spiral Balance  
Horn**

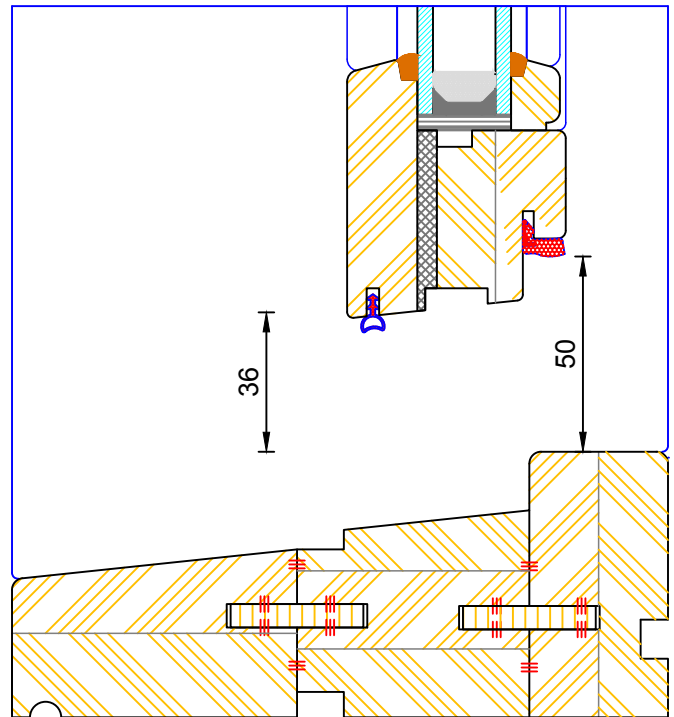
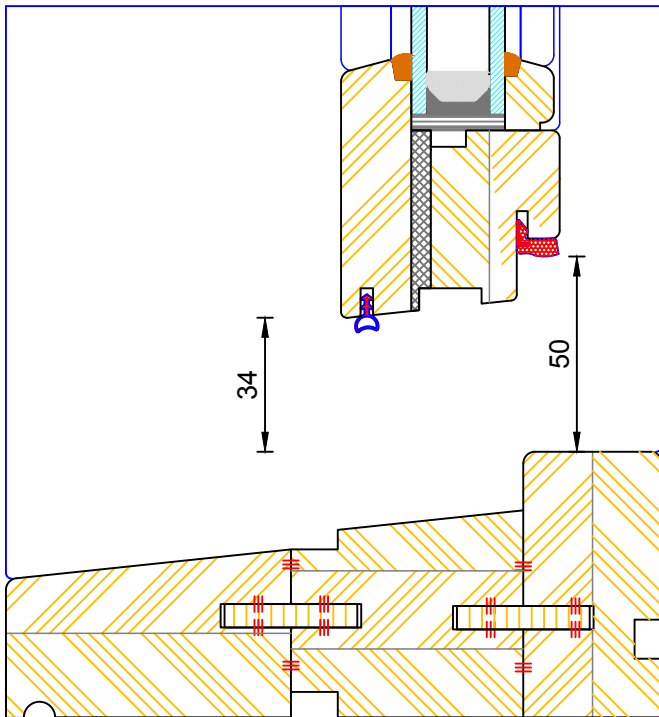
DIMENSIONS	PLOT SIZE	SCALE	DATE	REV	DWG NO.
MM	A4	1:1	13.01.2011	A	<b>0419</b>

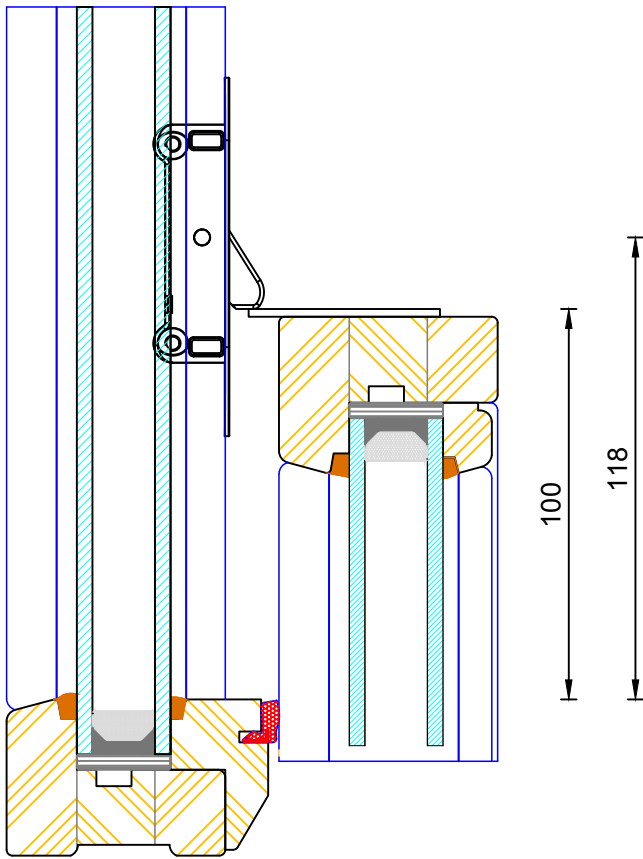


ANGEL LOCK

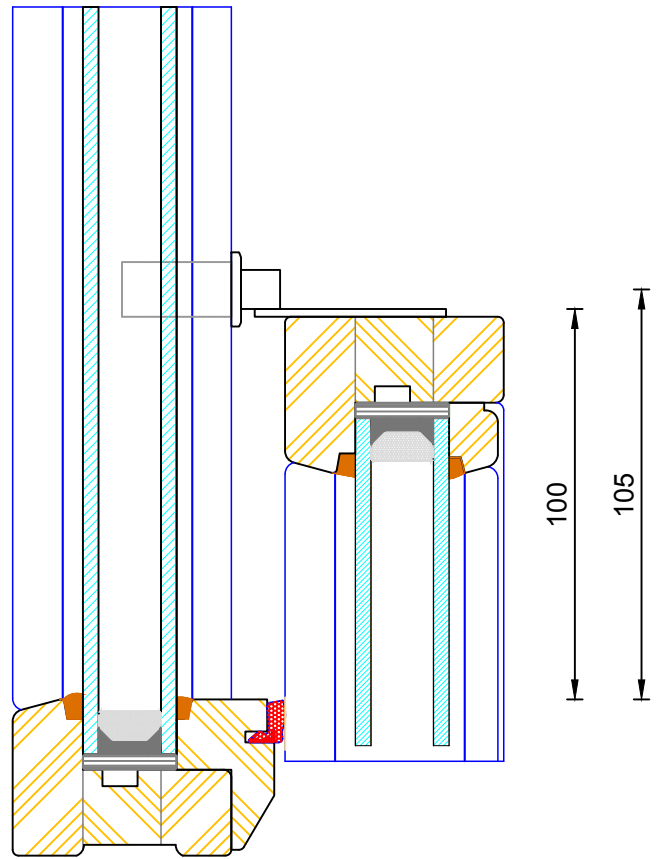


VENT LOCK





ANGEL LOCK



VENT LOCK

