

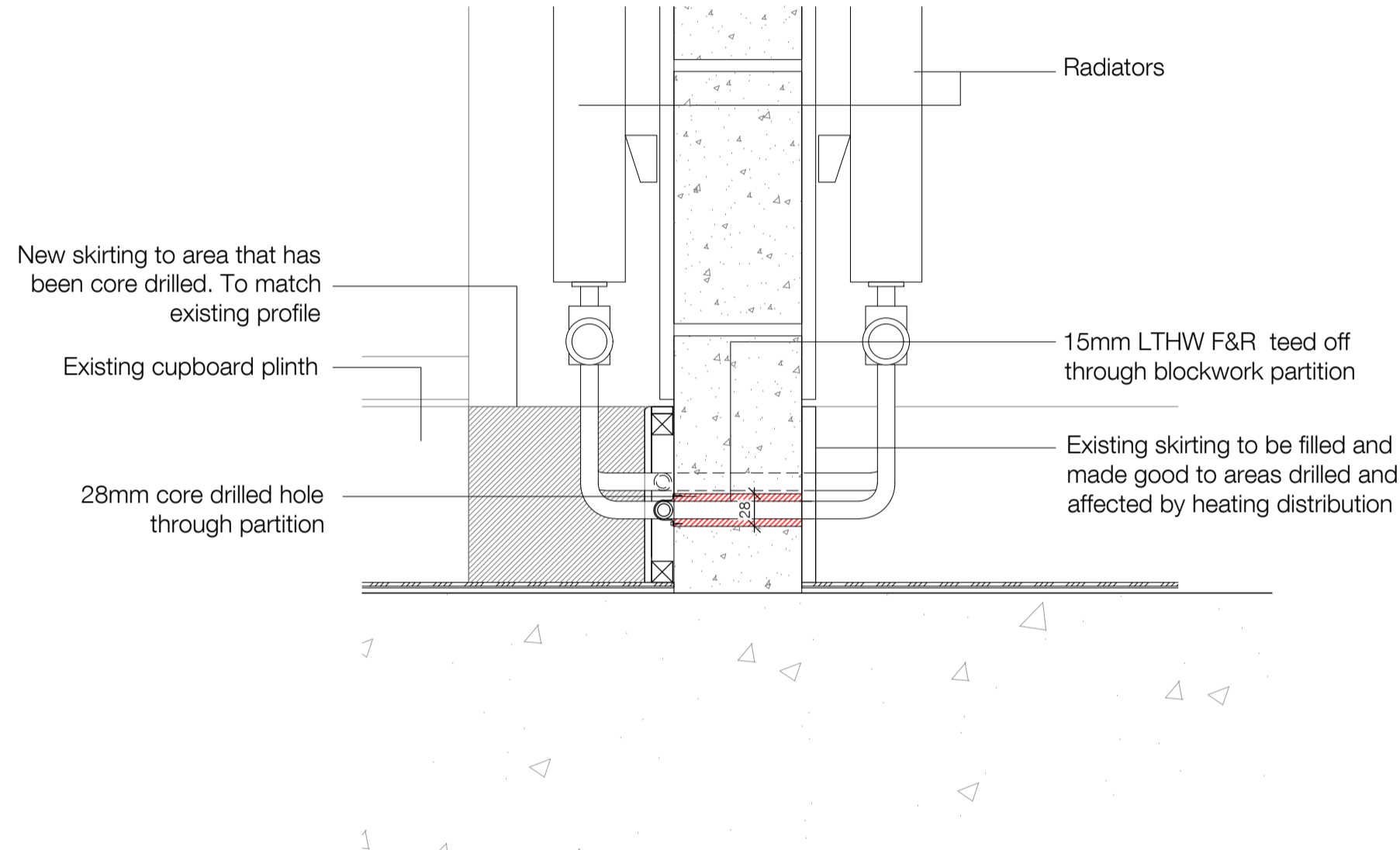
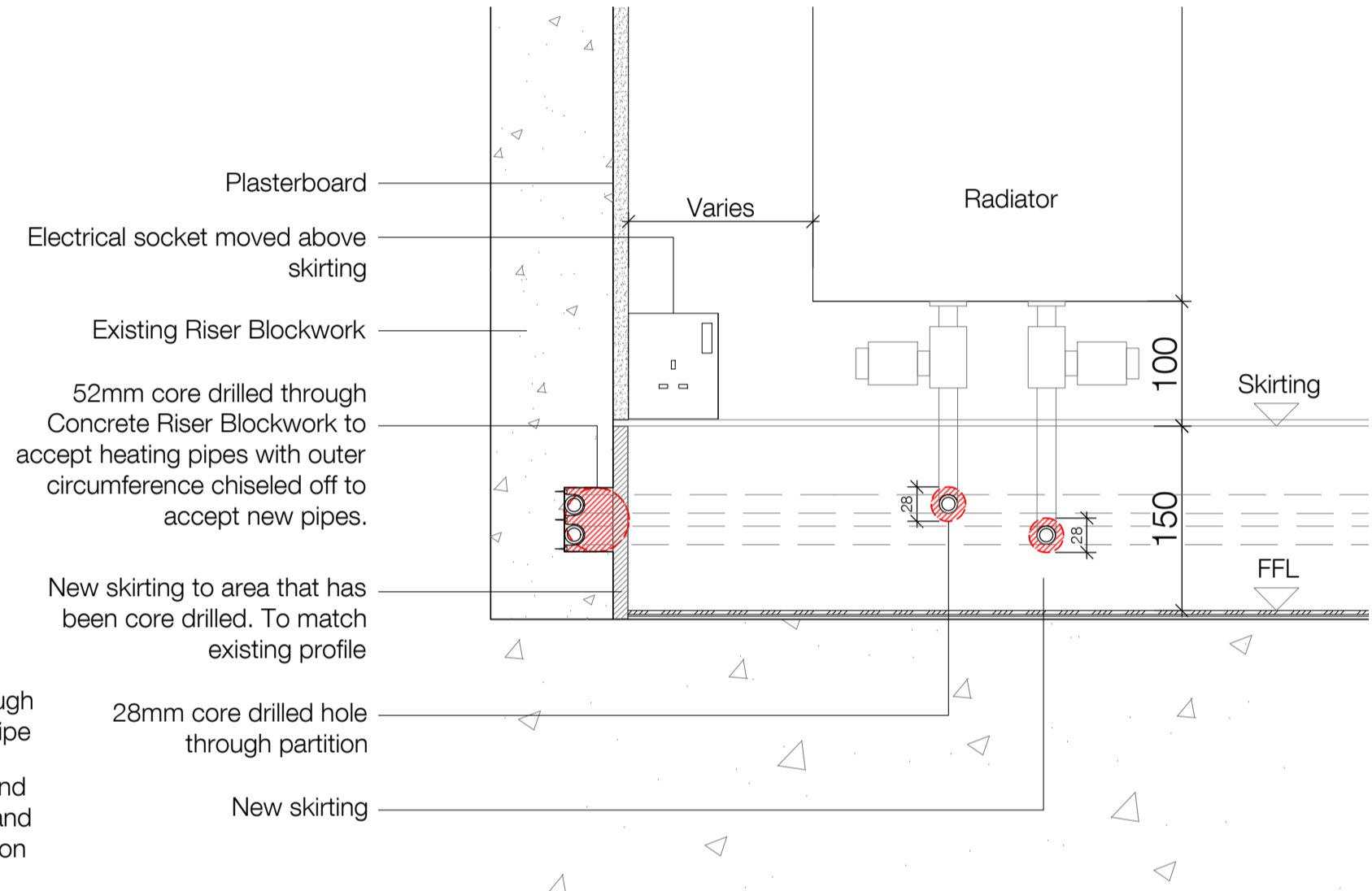
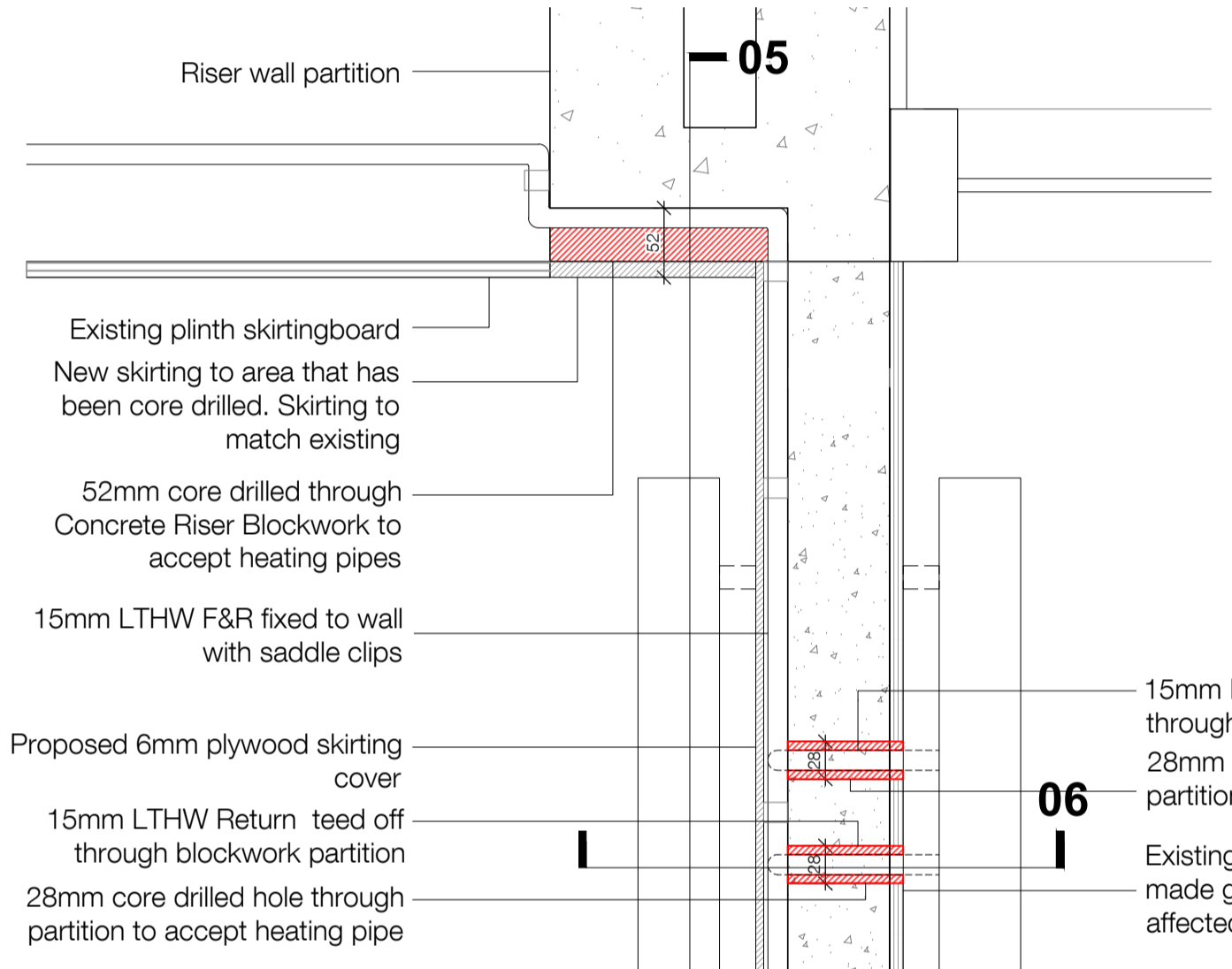
Notes

1. Do not scale this drawing.
2. All dimensions must be checked on site and any discrepancies verified with the architect.
3. Unless shown otherwise, all dimensions are to structural surfaces.
4. Drawing to be read with all other issued information. Any discrepancies to be brought to the attention of the architect.
5. This drawing is the copyright of Levitt Bernstein and may not be copied, altered or reproduced in any form, or passed to a third party without license or written consent.

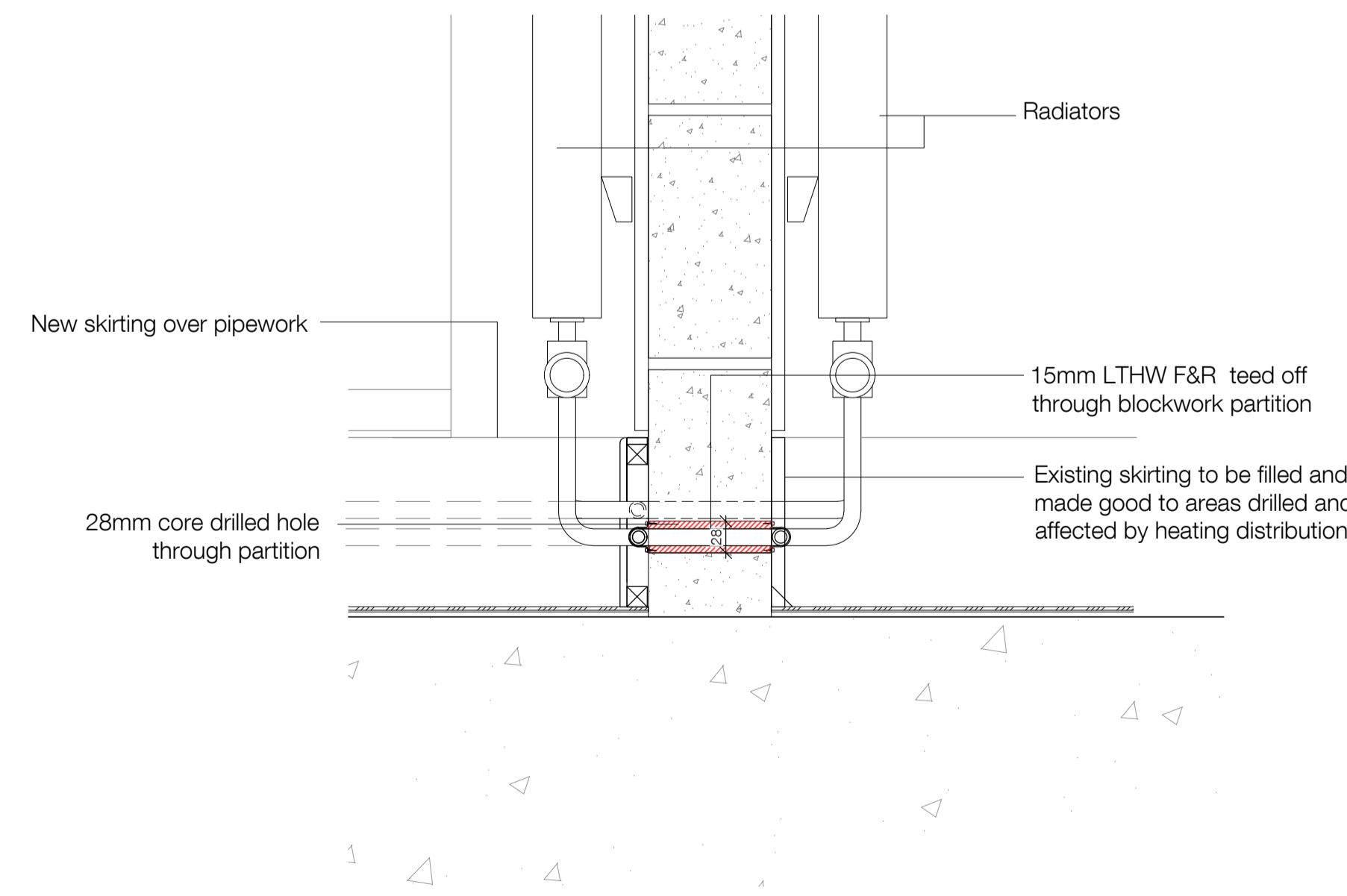
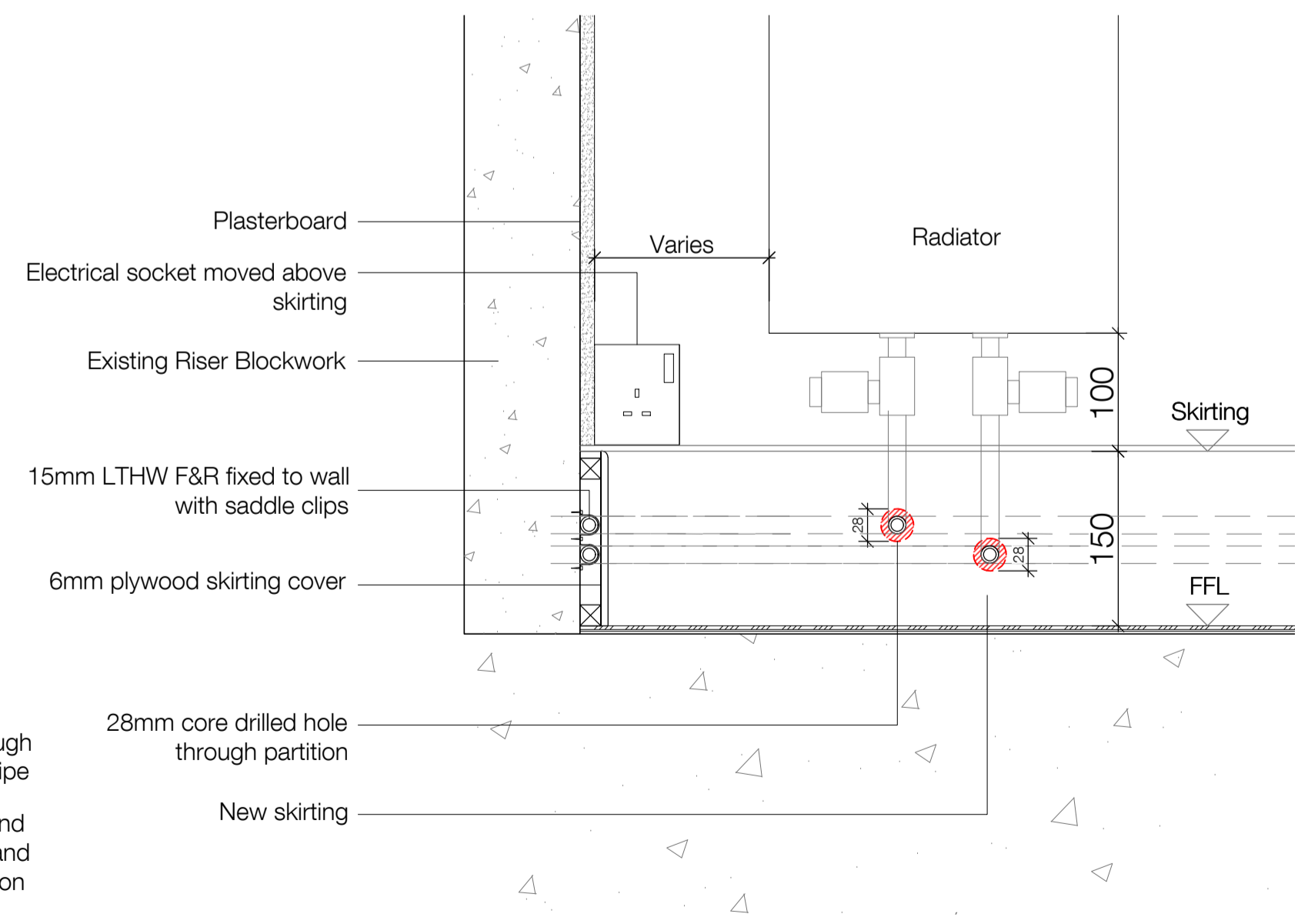
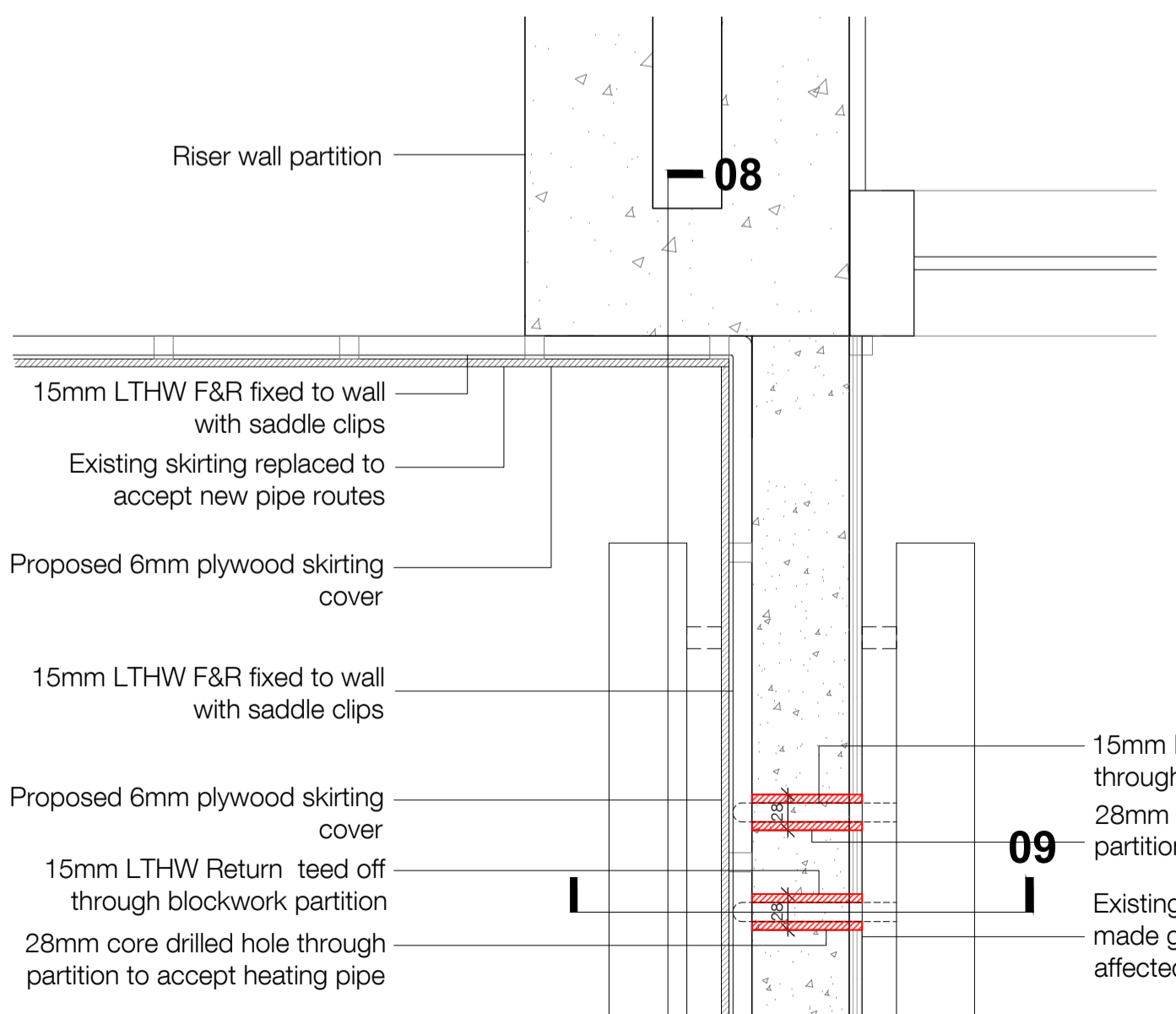
This is not a construction drawing, it is unsuitable for the purpose of construction and must on no account be used as such.

KEY:

Areas core drilled to accept new pipes



Option 1 - Preferred Option



Option 2 - Unpreferred option

P2 17.11.23 - Planning & Listed Building Consent	KS
P1 07.04.22 - For comment	KS
Rev Date	Description
Initials	

Project name
Alexandra Rd Estate
Emitter & Heating Thermal Improvements
Drawing number
3467_LB_336013
Rev
P2

Skirting - Junction Details	
Purpose of issue	Date
PLANNING	17.11.23
Scale	Drawn
1:5 @ A1	KS
Client	Checked
Camden CC	PM

levittbernstein.co.uk

London Thane Studios 2-4 Thane Villas London N7 7PA +44 (0)20 7275 7676	Manchester Eastgate 2 Castle Street Manchester M3 4LZ +44 (0)16 1669 8740
--	--