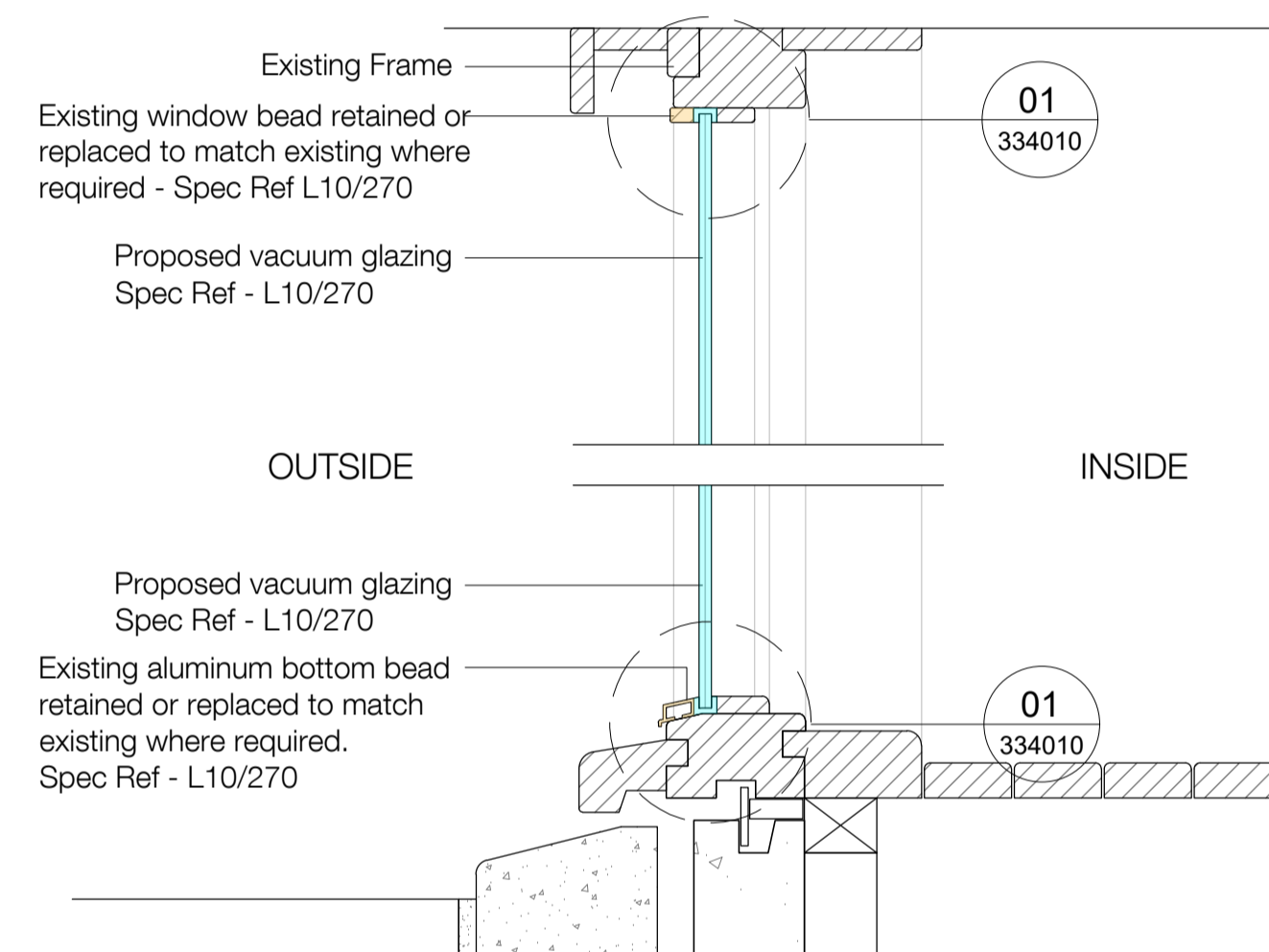
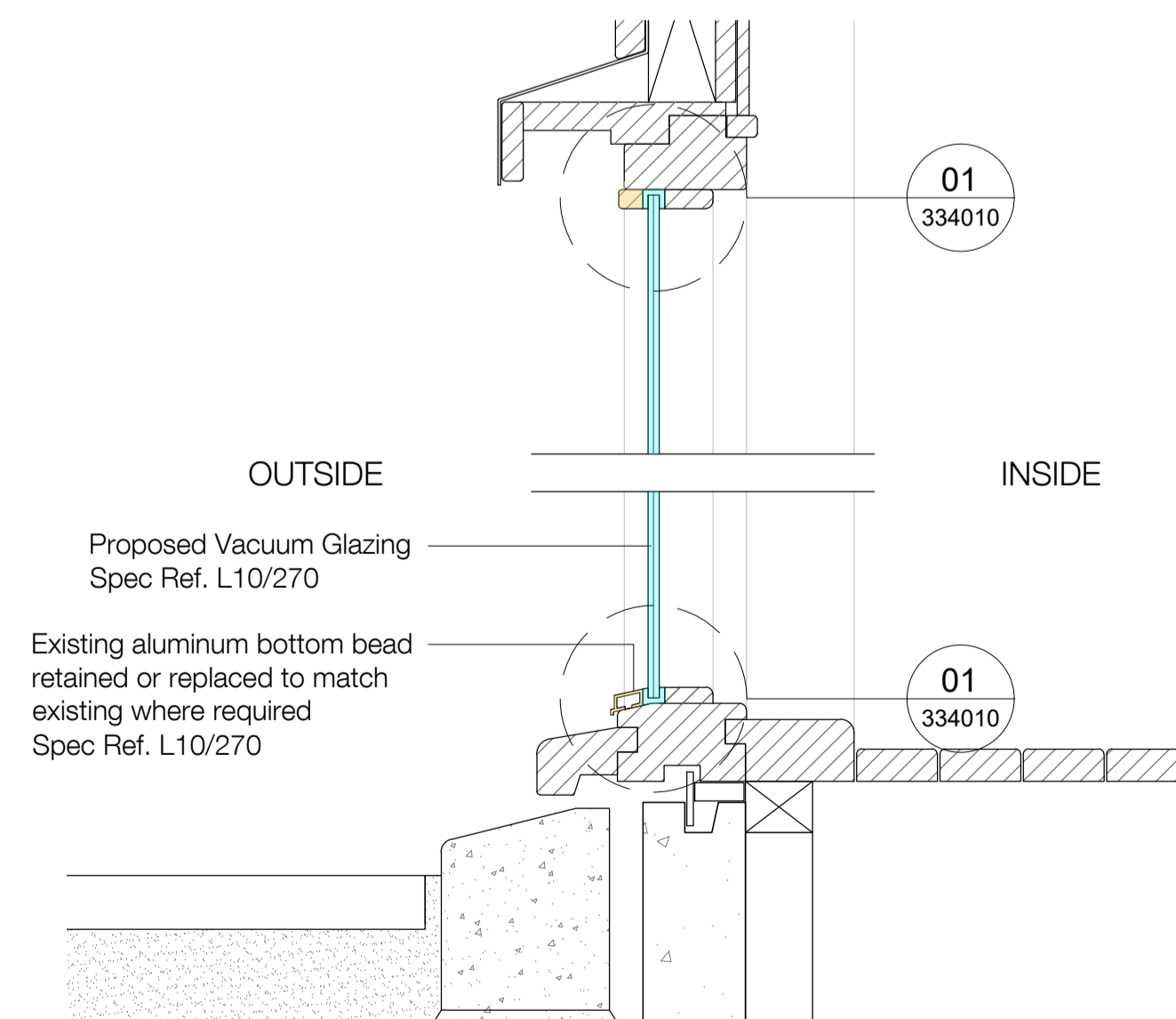


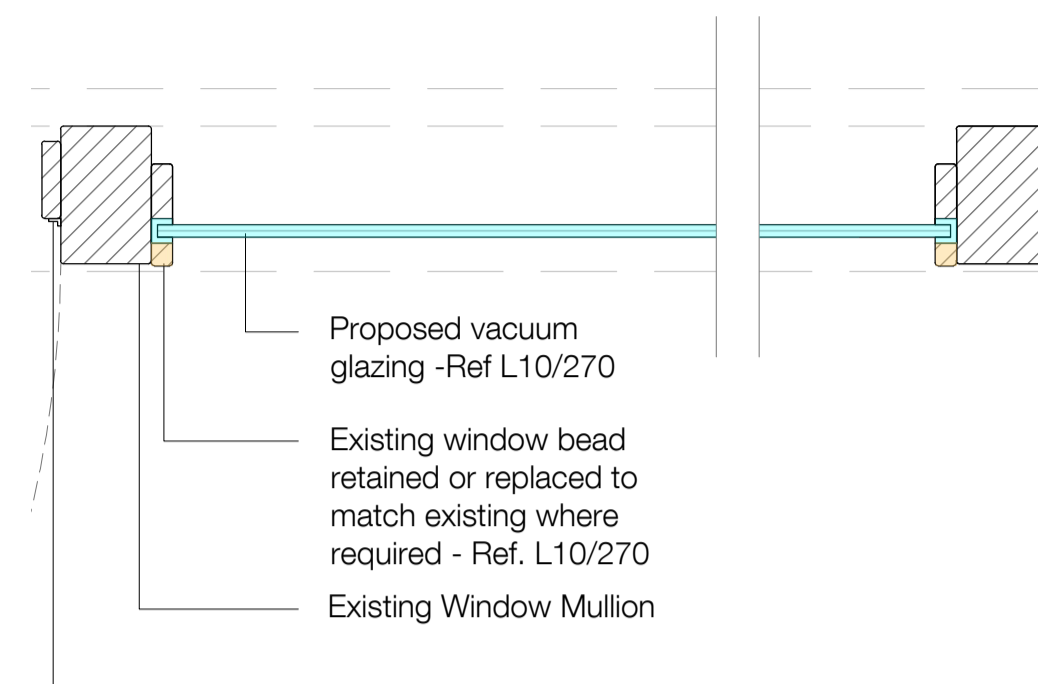
01 Proposed - Fixed Timber Window Jamb Detail
1.5



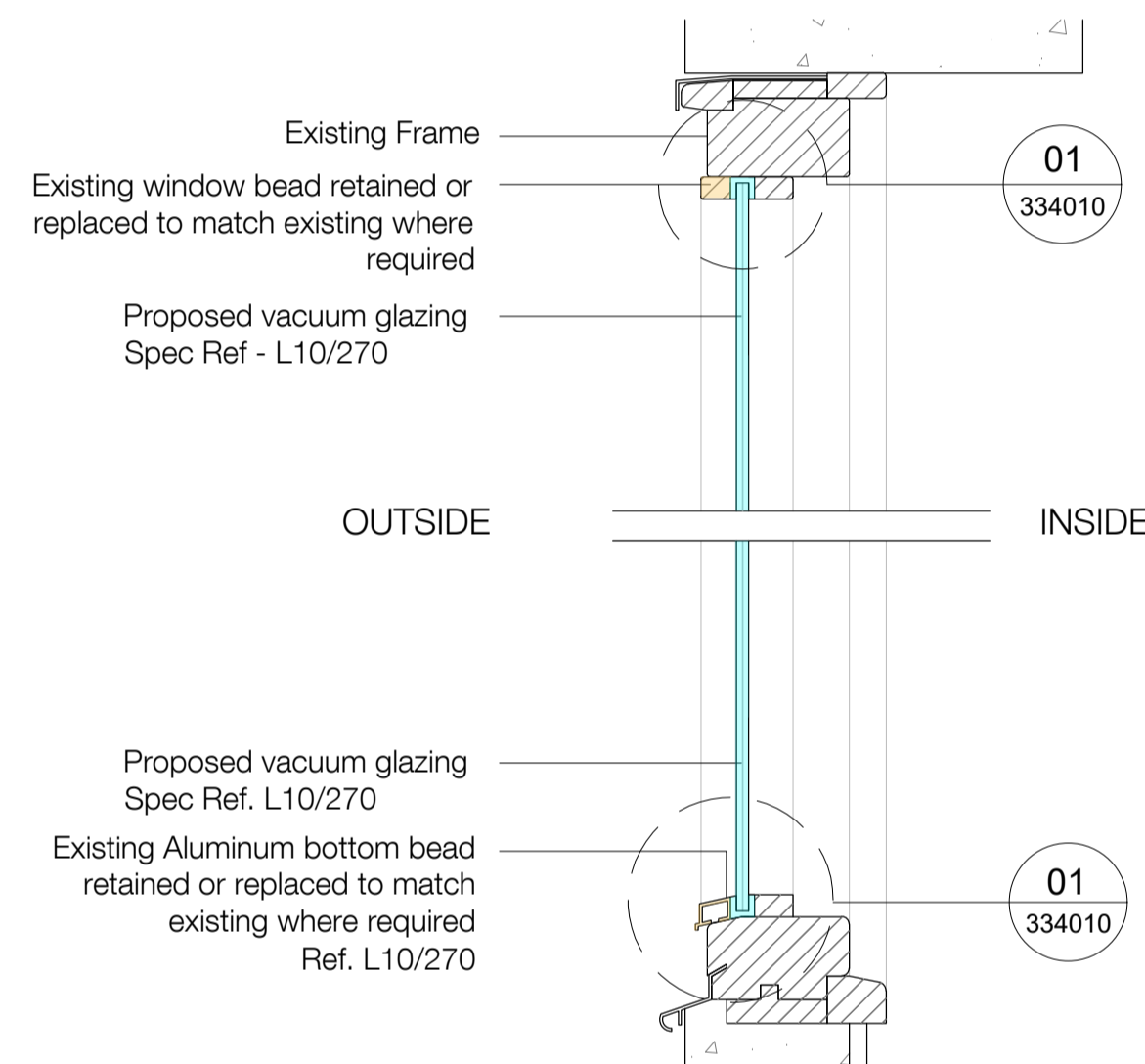
02 Proposed - Fixed Timber Window Head and Sill Detail
1.5



03 Proposed - Fixed Timber Window Head and Sill Detail for A3
1.5



04 Proposed - Fixed Timber Window Jamb Detail
1.5



05 Proposed - Fixed Timber Window Head and Sill Detail
1.5

Notes

1. Do not scale this drawing.
2. All dimensions must be checked on site and any discrepancies verified with the architect.
3. Unless shown otherwise, all dimensions are to structural surfaces.
4. Drawing to be read with all other issued information. Any discrepancies to be brought to the attention of the architect.
5. This drawing is the copyright of Levitt Bernstein and may not be copied, altered or reproduced in any form, or passed to a third party without license or written consent.

This is not a construction drawing, it is unsuitable for the purpose of construction and must on no account be used as such.

P3 17.11.23 - Planning & Listed Building Consent	KS
P2 07.04.22 - For comment	KS
P1 15.01.21 - Planning & Listed Building Consent	CM
Rev	Date

Project name

Alexandra Rd Estate
Emitter & Heating Thermal Improvements

Drawing number Rev

3467_LB_B_B3_334000 P3

Window Assembly Details
Proposed: Fixed Timber Window Details

Purpose of issue Date

PLANNING 17.11.23

Scale Drawn

1:5 @ A1 KS

Client Checked

Camden CC PM

levittbernstein.co.uk

London
Thane Studios
2-4 Thane Villas
London N7 7PA
+44 (0)20 7275 7676

Manchester
Eastgate
2 Castle Street
Manchester M3 4LZ
+44 (0)16 1669 8740