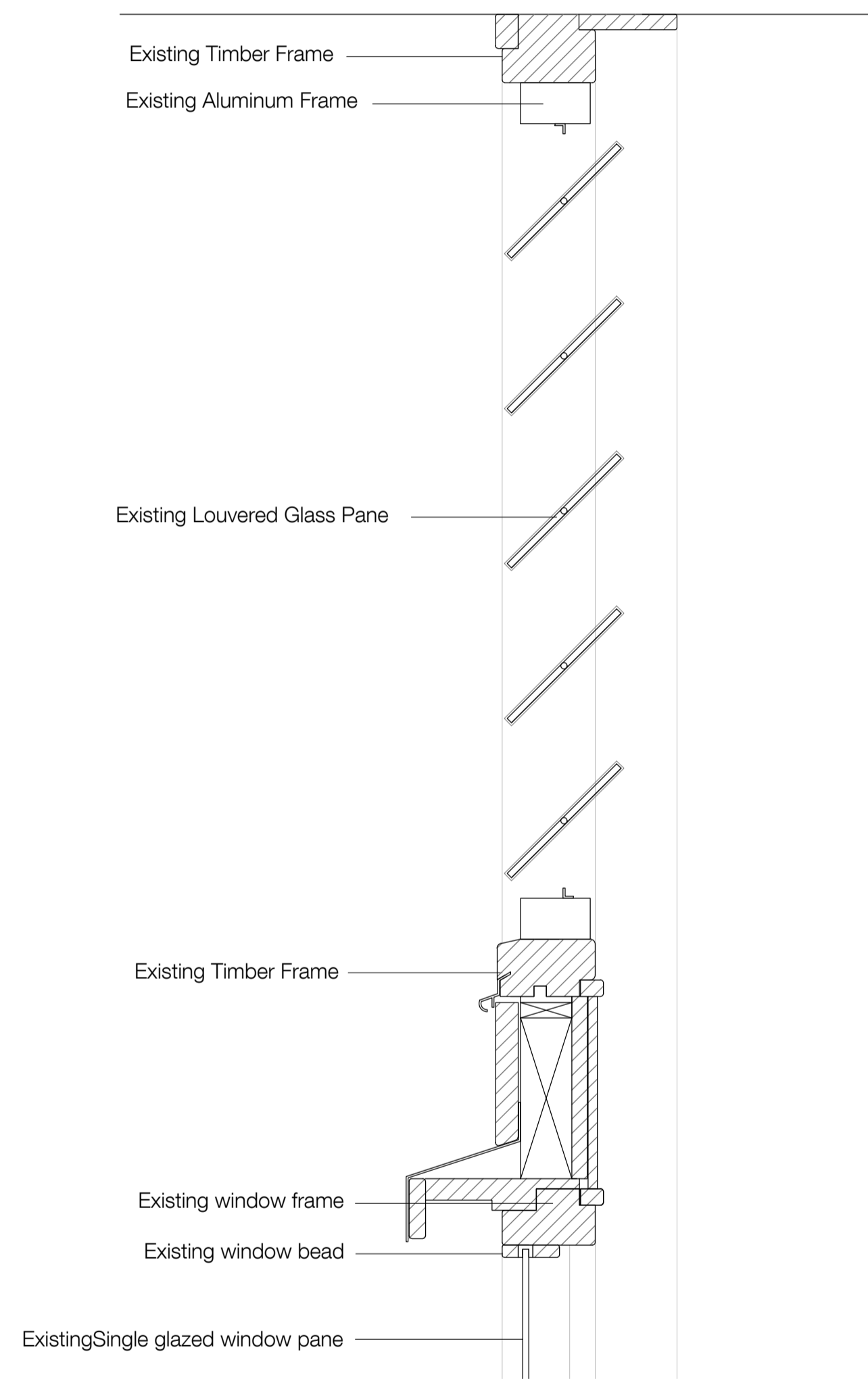


01

**Existing - Louvered Vent Jamb Detail**

1.5



02

**Existing - Louvered Vent Head and Sill Detail**

1.5

**Notes**

1. Do not scale this drawing.
2. All dimensions must be checked on site and any discrepancies verified with the architect.
3. Unless shown otherwise, all dimensions are to structural surfaces.
4. Drawing to be read with all other issued information. Any discrepancies to be brought to the attention of the architect.
5. This drawing is the copyright of Levitt Bernstein and may not be copied, altered or reproduced in any form, or passed to a third party without license or written consent.

This is not a construction drawing, it is unsuitable for the purpose of construction and must on no account be used as such.

Rev	Date	Description	Initials
P3	17.11.23	Planning & Listed Building Consent	KS
P2	07.04.22	For comment	KS
P1	15.01.21	Planning & Listed Building Consent	CM

Project name

**Alexandra Rd Estate**  
**Emitter & Heating Thermal Improvements**

Drawing number Rev

3467\_LB\_B\_B3\_104008 P3

Drawing  
**Window Assembly Details**  
**Louvered Vent**

Purpose of issue Date  
**PLANNING** 17.11.23

Scale Drawn  
**1:5 @ A1** KS

Client Checked  
**Camden CC** PM

levittbernstein.co.uk

**London**  
 Thane Studios  
 2-4 Thane Villas  
 London N7 7PA  
 +44 (0)20 7275 7676

**Manchester**  
 Eastgate  
 2 Castle Street  
 Manchester M3 4LZ  
 +44 (0)16 1669 8740