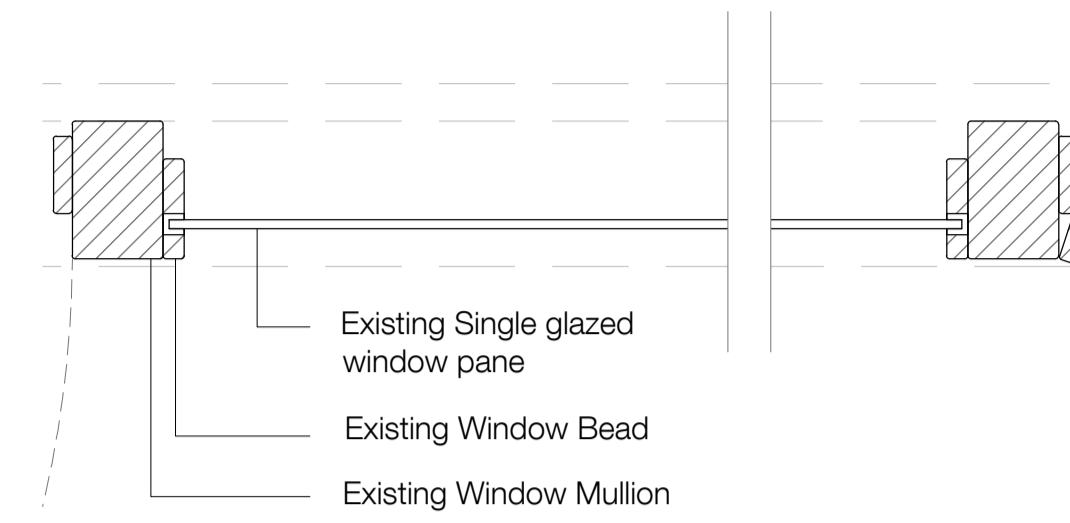
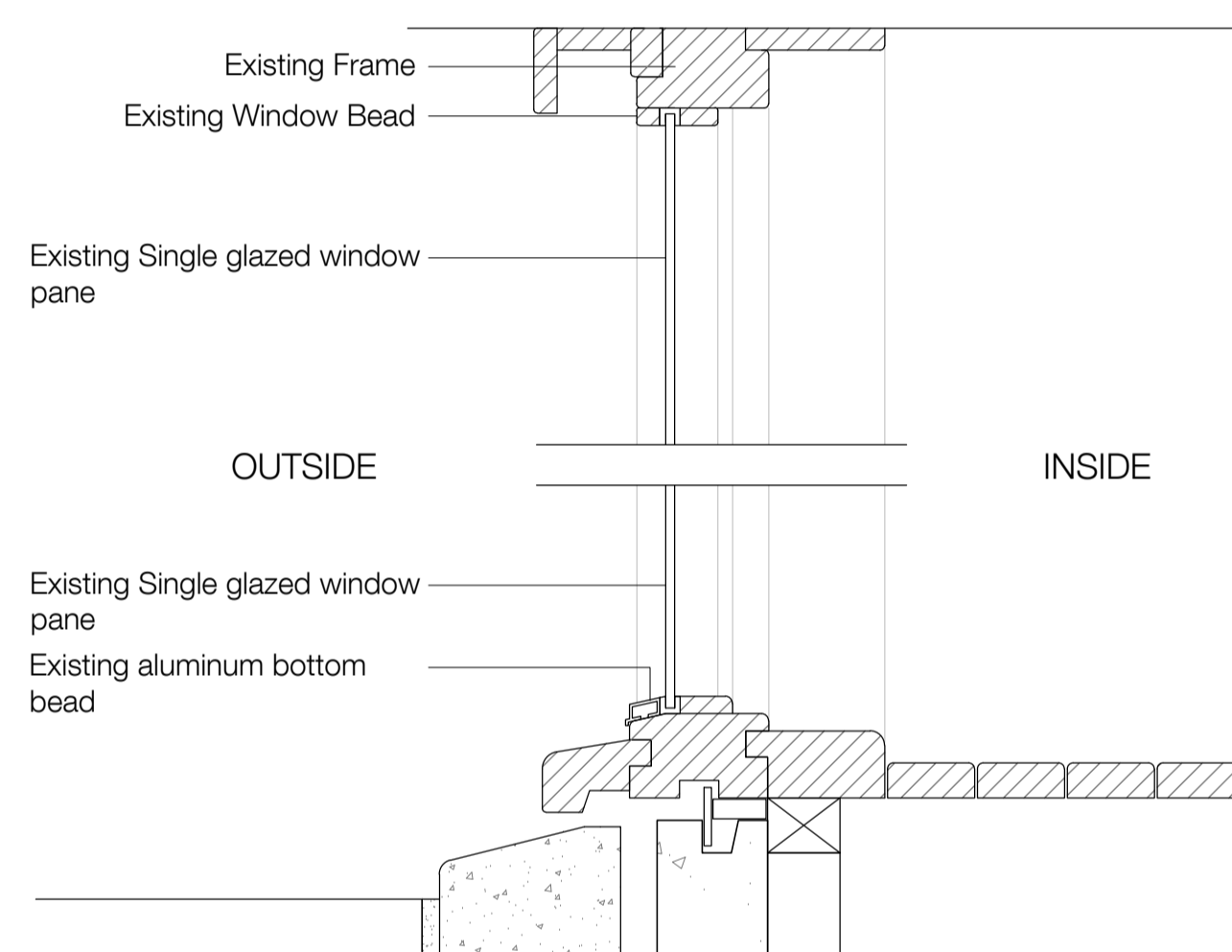


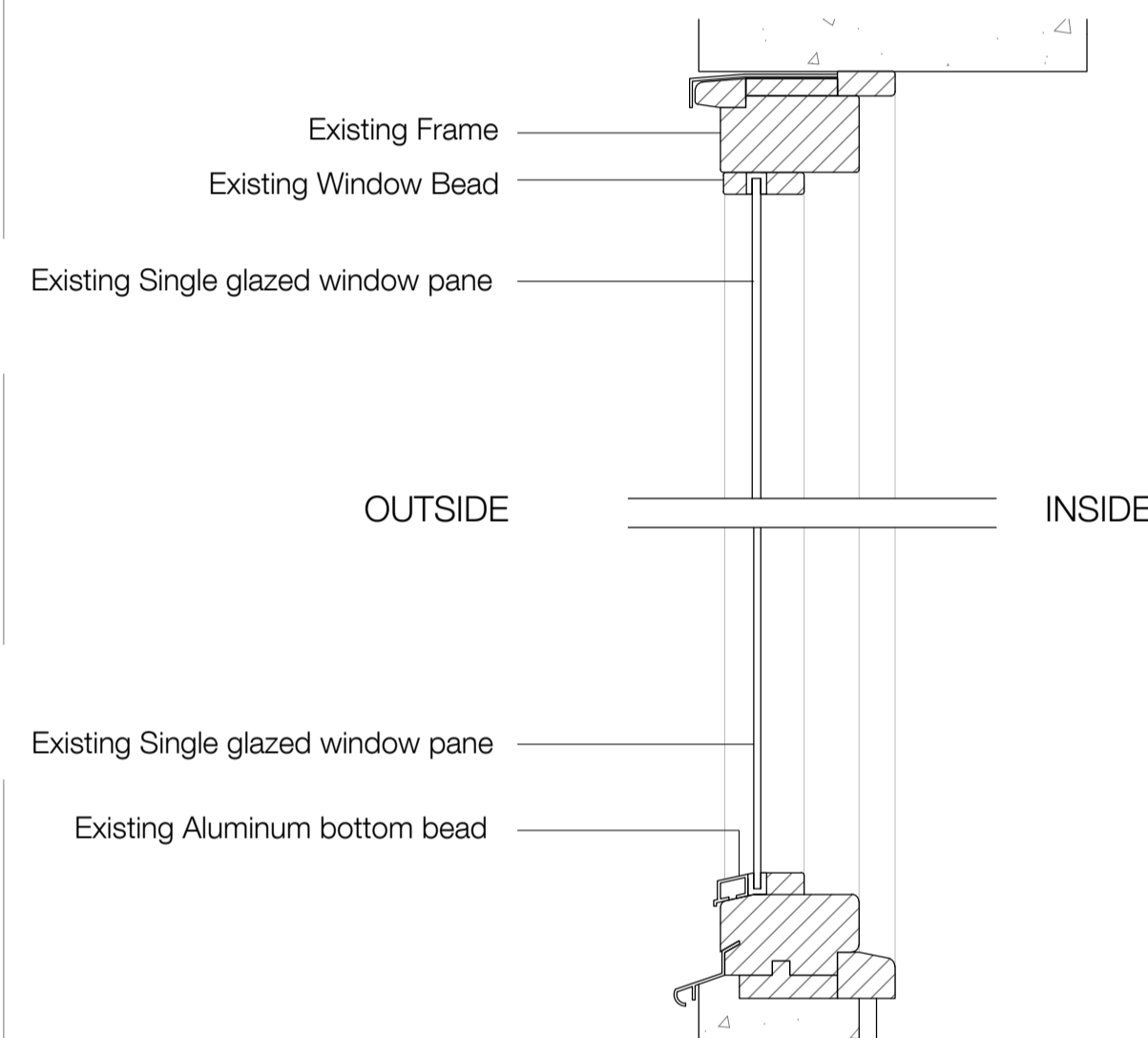
**01 Existing - Fixed Timber Window Jamb Detail**  
1.5



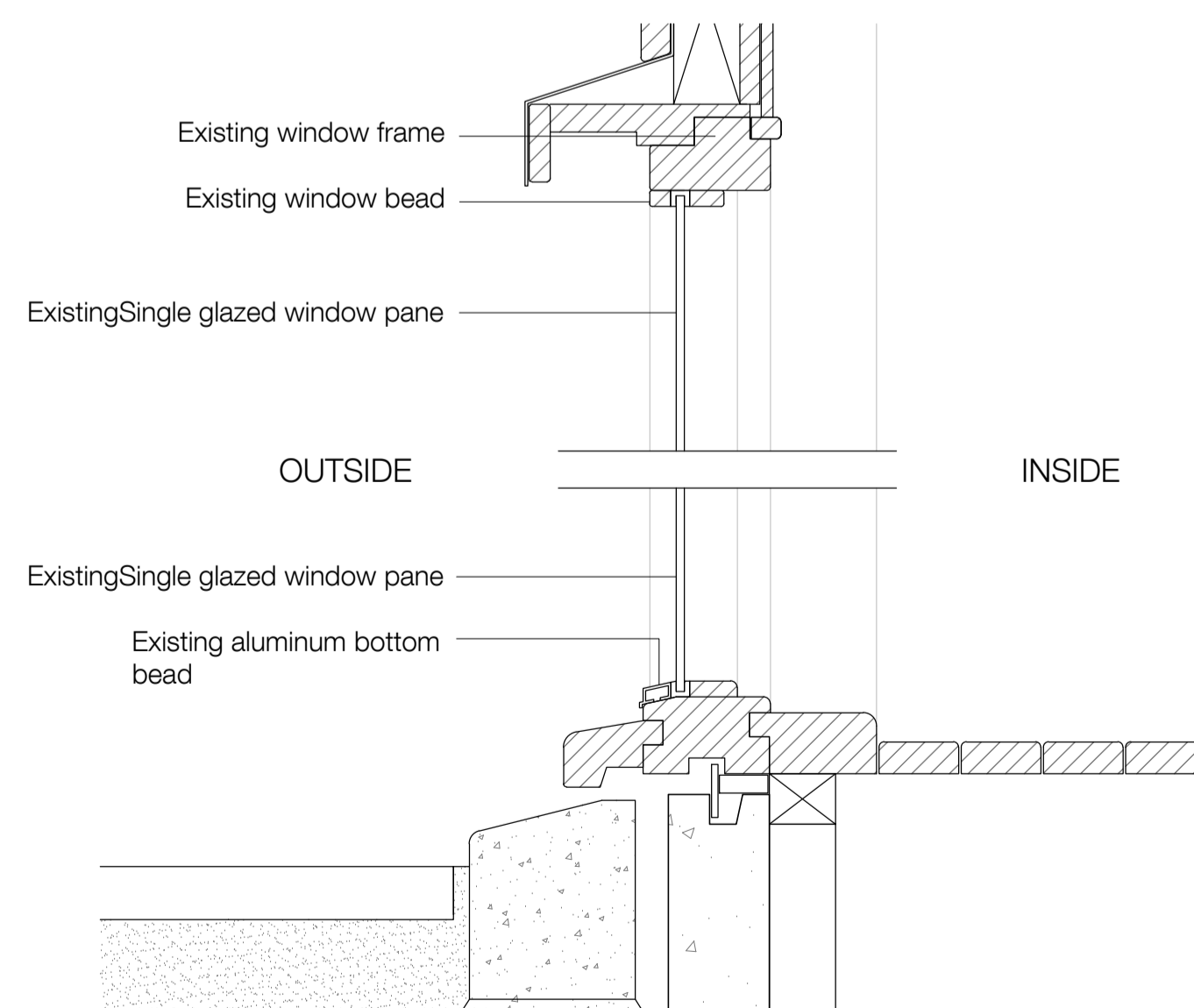
**04 Existing - Fixed Timber Window Jamb Detail**  
1.5



**02 Existing - Fixed Timber Window Head and Sill Detail**  
1.5



**05 Existing - Fixed Timber Window Head and Sill Detail**  
1.5



**03 Existing - Fixed Timber Window Head and Sill Detail for A3**  
1.5

**Notes**  
 1. Do not scale this drawing.  
 2. All dimensions must be checked on site and any discrepancies verified with the architect.  
 3. Unless shown otherwise, all dimensions are to structural surfaces.  
 4. Drawing to be read with all other issued information. Any discrepancies to be brought to the attention of the architect.  
 5. This drawing is the copyright of Levitt Bernstein and may not be copied, altered or reproduced in any form, or passed to a third party without license or written consent.  
 This is not a construction drawing, it is unsuitable for the purpose of construction and must on no account be used as such.

Rev	Date	Description	Initials
P3	17.11.23	Planning & Listed Building Consent	KS
P2	07.04.22	For comment	KS
P1	15.01.21	Planning & Listed Building Consent	CM

Project name

**Alexandra Rd Estate**  
**Emitter & Heating Thermal Improvements**

Drawing number **3467\_LB\_B\_B3\_104000** Rev **P3**

**Window Assembly Details**  
**Fixed Timber Window Details**

Purpose of issue	Date
PLANNING	17.11.23
Scale	Drawn
1:5 @ A1	KS
Client	Checked
Camden CC	PM

levittbernstein.co.uk

<b>London</b> Thane Studios 2-4 Thane Villas London N7 7PA +44 (0)20 7275 7676	<b>Manchester</b> Eastgate 2 Castle Street Manchester M3 4LZ +44 (0)16 1669 8740
--	--