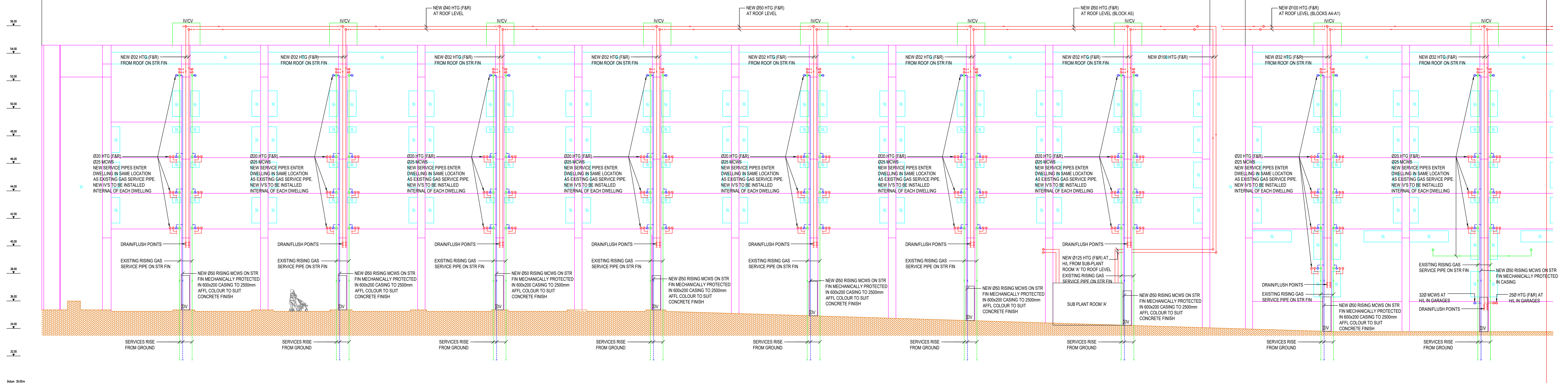


BLOCK A5

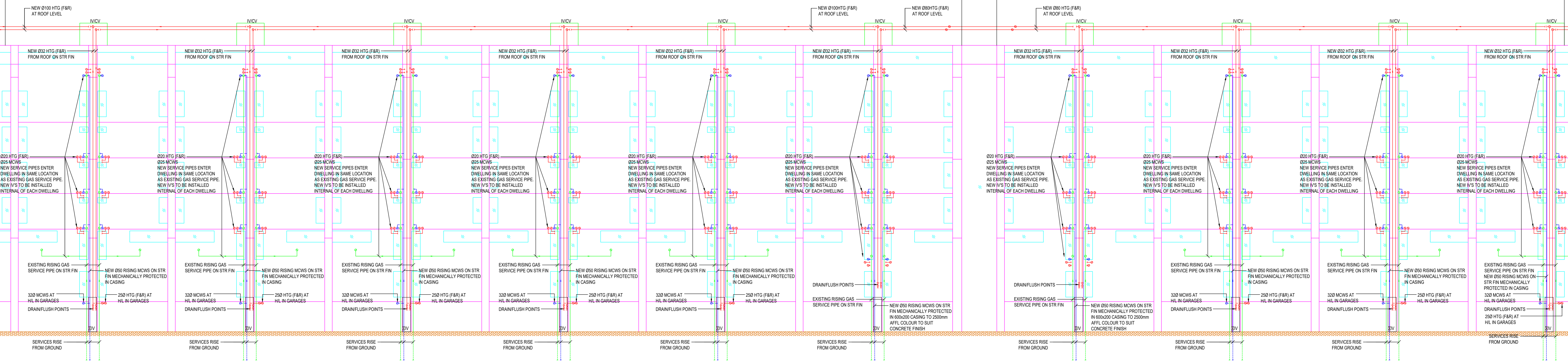
BLOCK A4



BLOCK A4

ELEVATION A-A

BLOCK A3



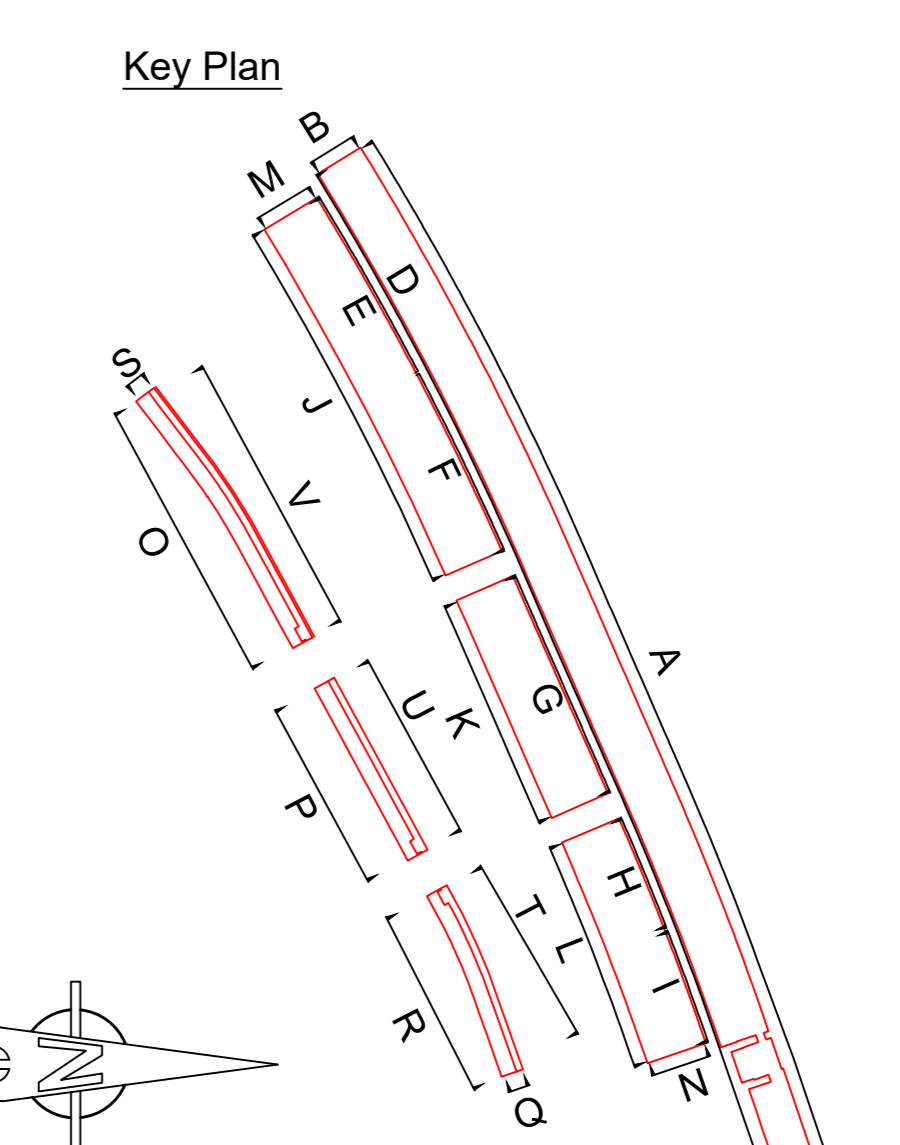
ELEVATION A-A

NOTES  
 1. ALL PIPEWORK FULLY INSULATED AND WEATHER PROTECTED WITH P.B. AND STUCCO ALUMINIUM CLADDING.

DRAWING LEGEND  
 - - - - - EXISTING GAS SERVICE PIPE  
 - - - - - NEW MAINS WATER PIPE  
 - - - - - NEW HEATING FLOW & RETURN PIPE



PROPOSED PARALLEL HEATING INSTALL (ROOF LEVEL) PHOTO REF P1



Client  
**Camden**  
 ARGYLE STREET  
 LONDON  
 WC1H 8NJ

BYA BUTLER & YOUNG ASSOCIATES  
 Mechanical and Electrical Consulting Engineers  
 1st Floor, 54-62 Station Road East, Oxley, Surrey RH8 0PG  
 Telephone 01883 717172 Fax 01883 717174  
 Website www.bya.co.uk Email enquiries@bya.co.uk

Project  
 ALEXANDRA ROAD ESTATE  
 (ROWLEY WAY)

Drawing Title  
 PROPOSED REPLACEMENT HTG & DOM WATER  
 SERVICES PIPE ROUTE TO EXTERNAL  
 ELEVATION OF DWELLINGS (A1-A5)

Scales 1:100  
 Drawn NS  
 Checked JS  
 Date NOV 23

Project Number  
 3547  
 Drawing Number  
 3547-RW-M-519

PLANNING DRAWING