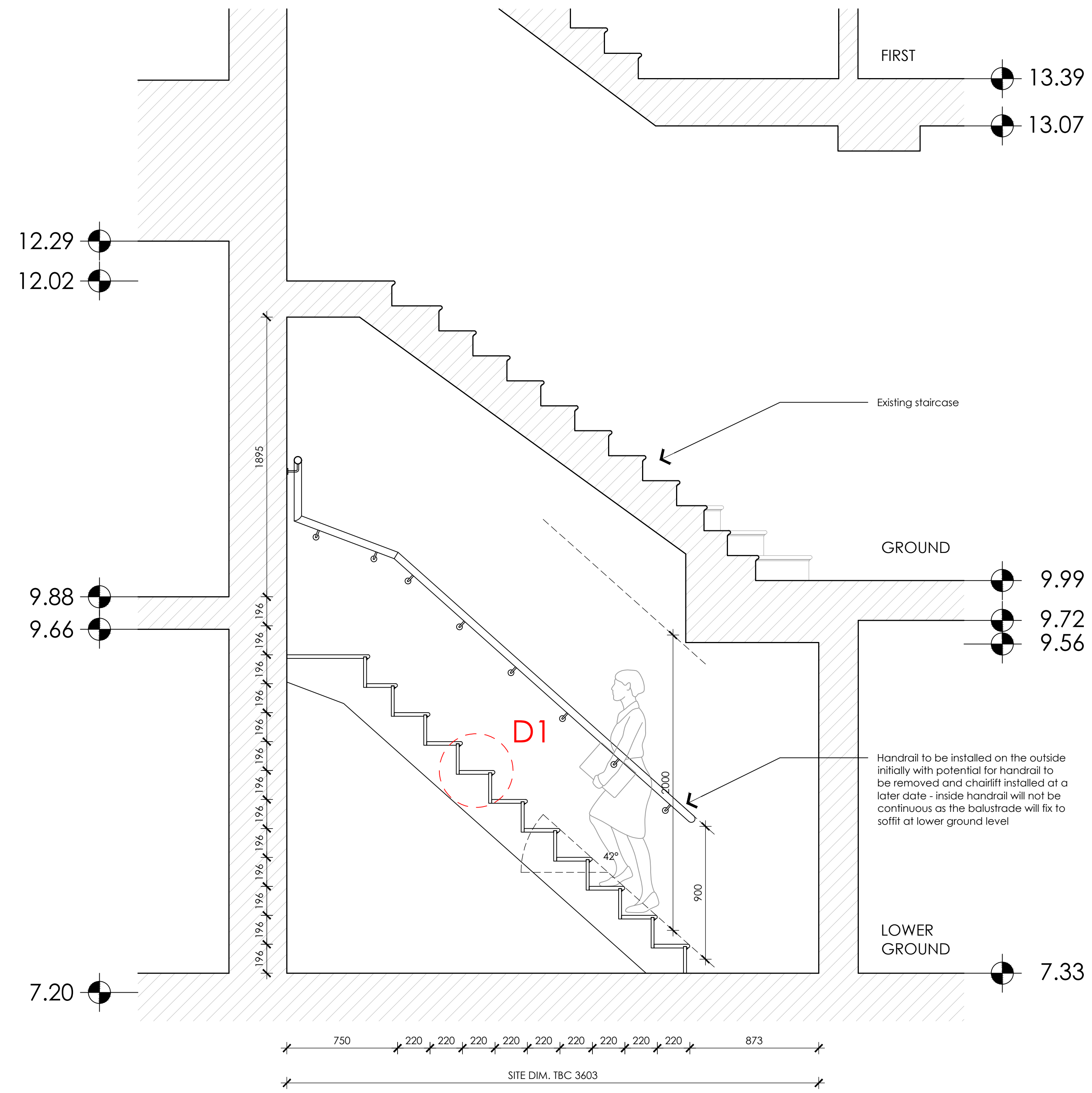
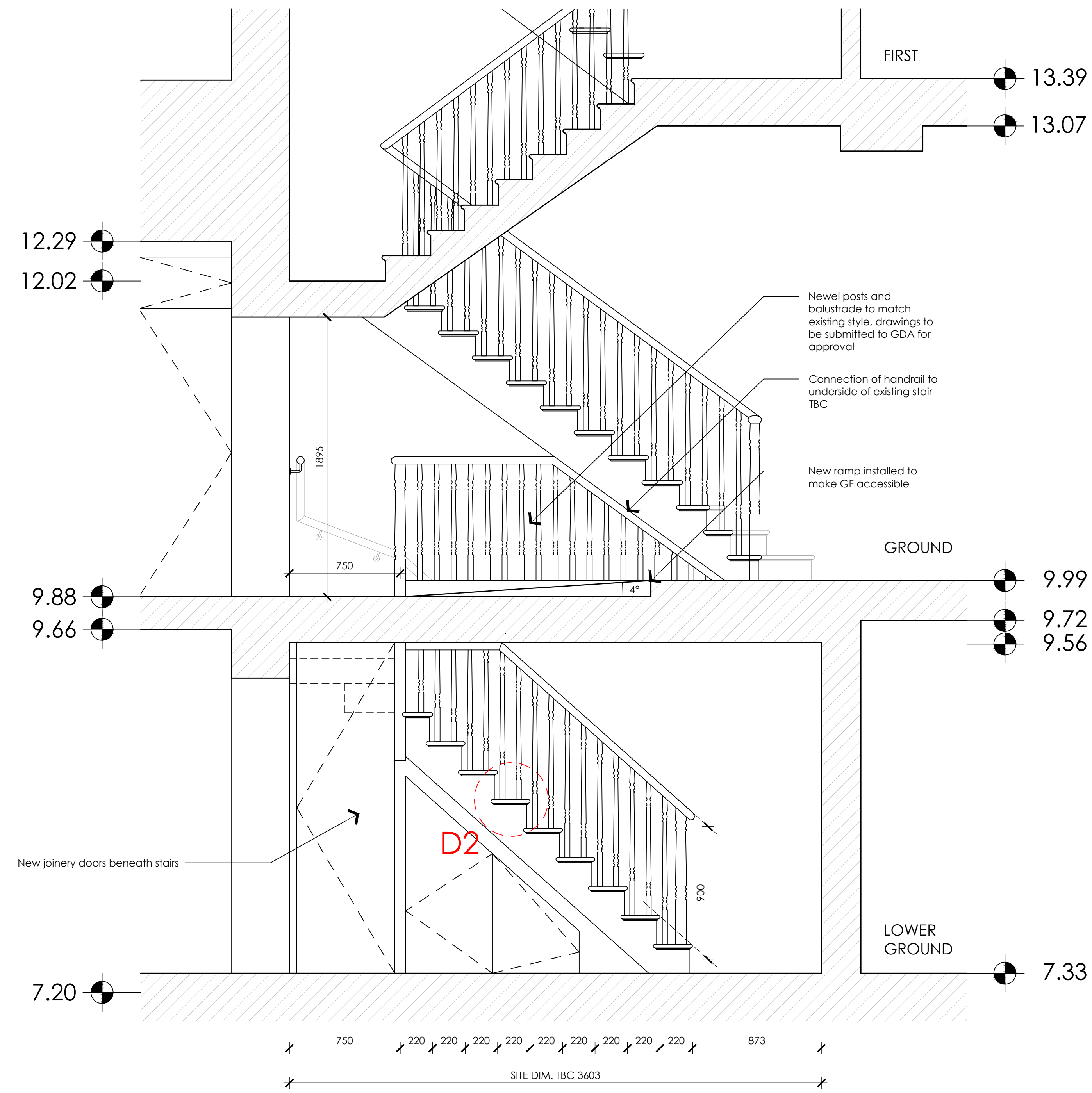


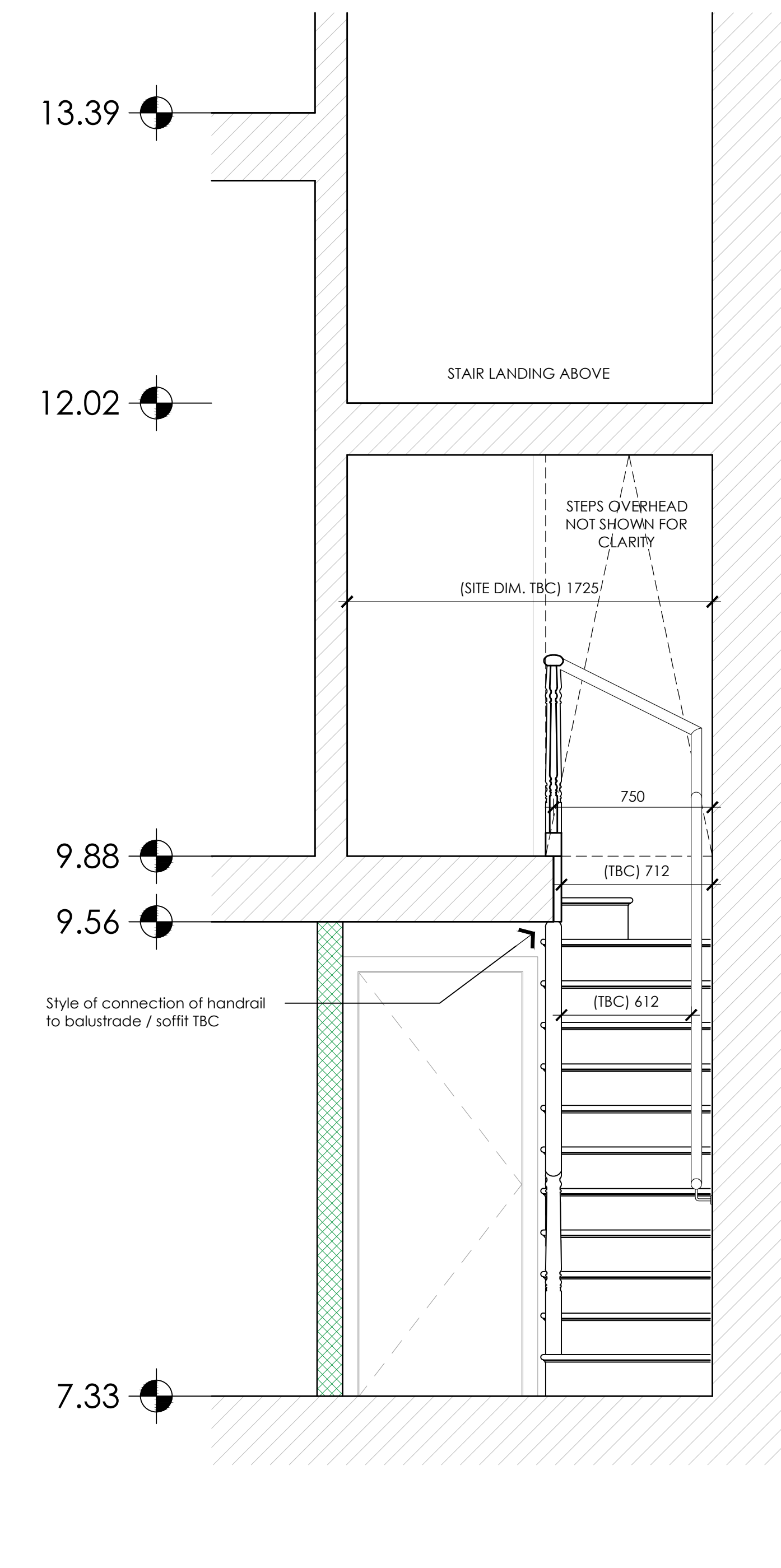
DIMENSIONS SUBJECT TO SITE SURVEY - ALL SITE DIMENSIONS TO BE VERIFIED BY CONTRACTOR - DRAWINGS TO BE SUBMITTED TO GDA BY CONTRACTOR FOR APPROVAL



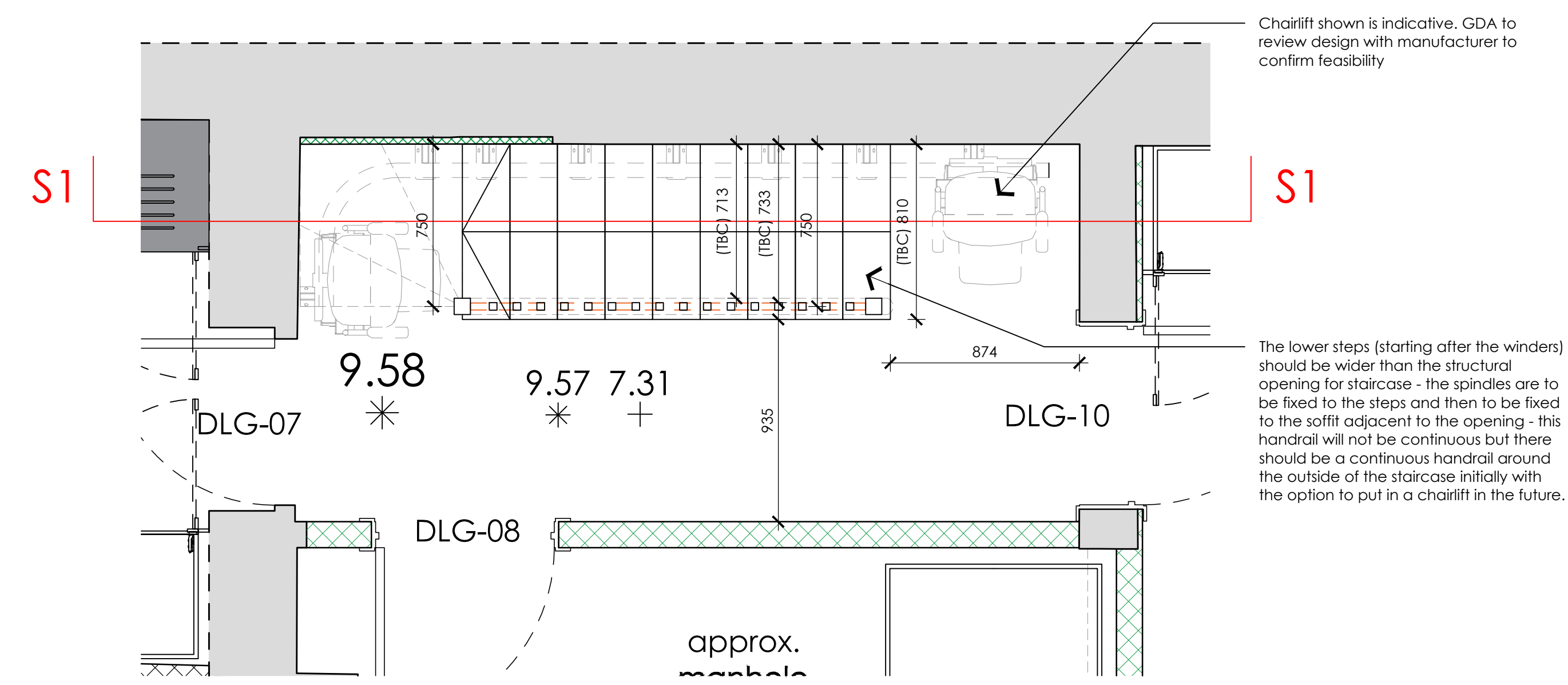
S1 SECTION THROUGH STAIRS  
SCALE - 1:20



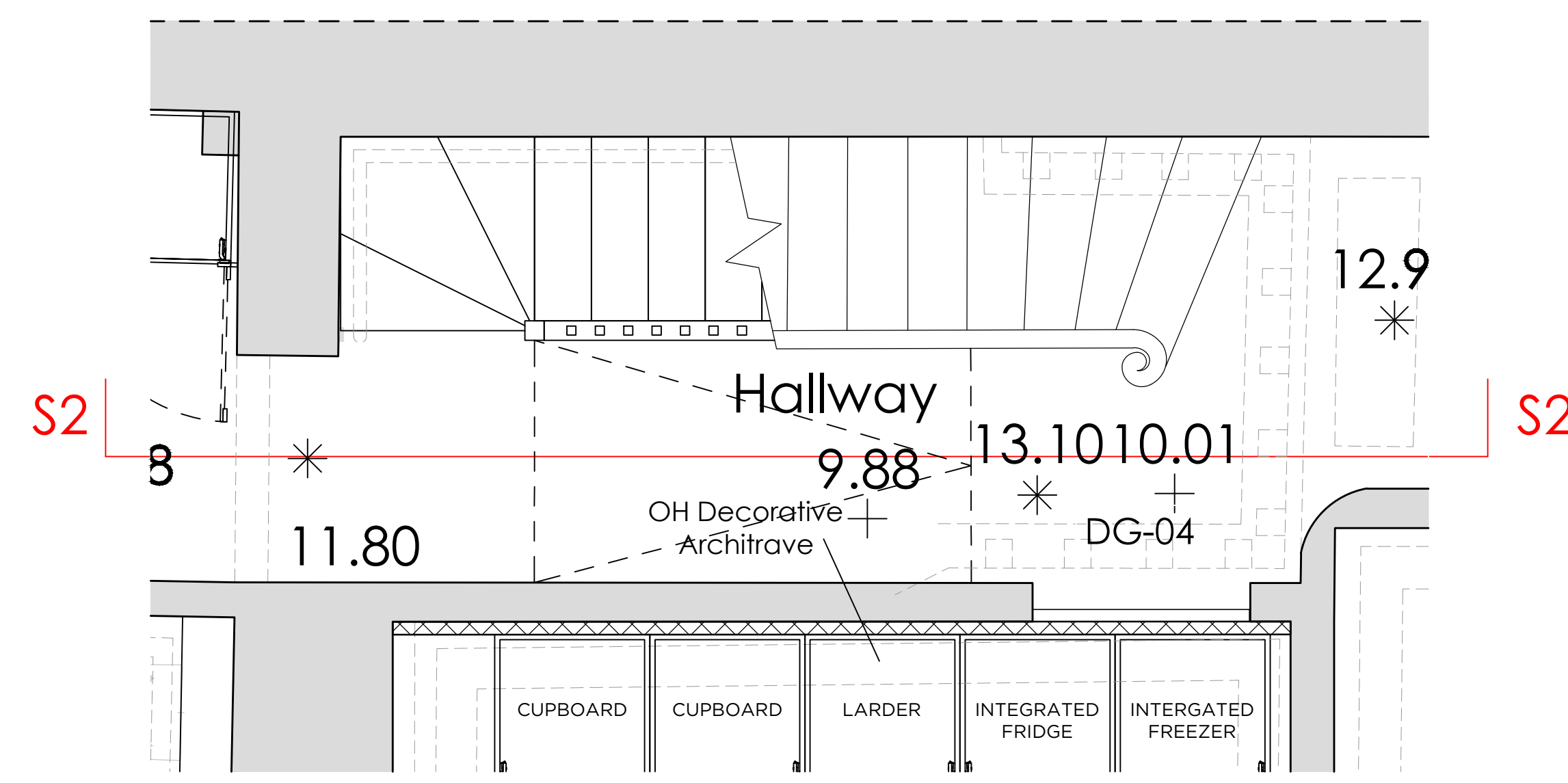
S2 SECTION SHOWING STAIR SIDE ELEVATION  
SCALE - 1:20



S3 SECTION THROUGH STAIRS  
SCALE - 1:20

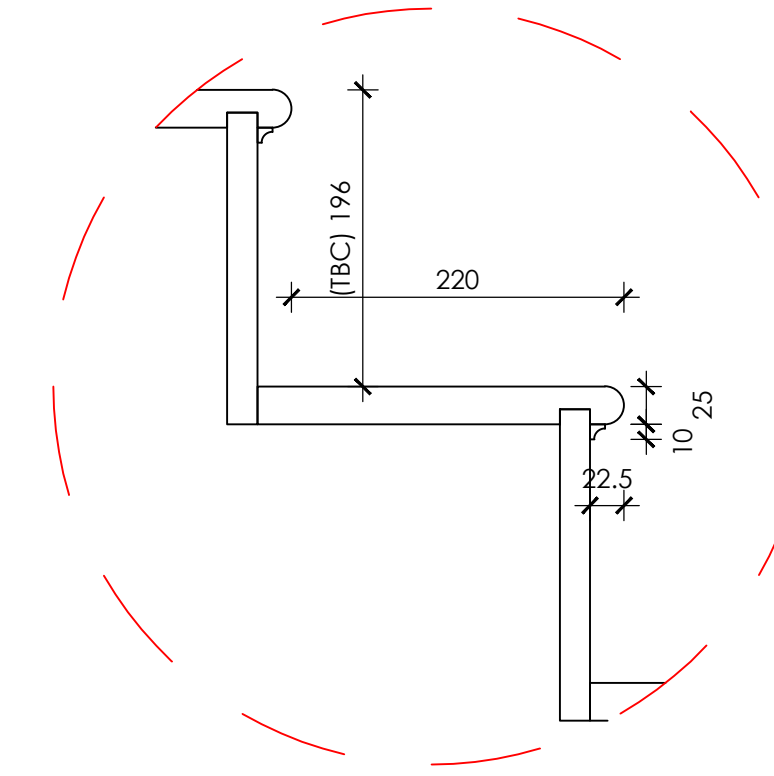


LOWER GROUND PLAN WITH INDICATIVE CHAIRLIFT PROPOSAL  
SCALE - 1:20

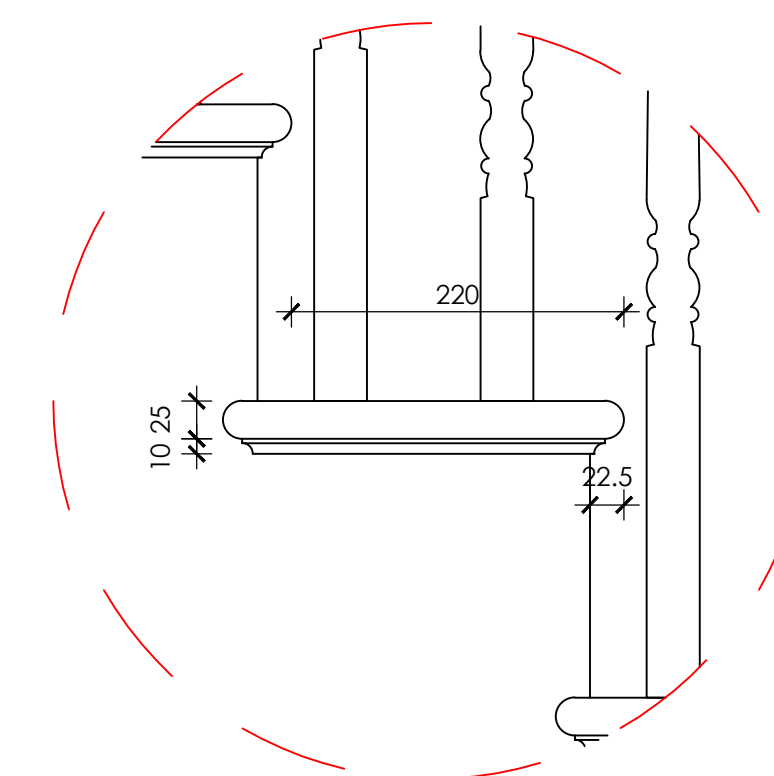


GROUND FLOOR PLAN  
SCALE - 1:20

D1 SECTION THROUGH STAIRS  
SCALE - 1:5



D2 STAIR SIDE ELEVATION  
SCALE - 1:5



PR5 PLANNING ISSUE	06.10.23	LWT
PR4 REVIEW	11.07.23	LWT
PR3 REVIEW	11.07.23	LWT
PR2 REVIEW	30.06.23	LWT
PR1 PRELIMINARY ISSUE	12.06.23	LWT

**Rev Revision Date By**

NOTES  
All setting out dimensions and points will be found on the construction issue drawings.  
All dimensions to be checked on site prior to commencement of works. Do not scale this drawing

**PLANNING**

PROJECT  
CHALCOT SQUARE

TITLE  
PROPOSED DETAIL SECTION  
LOWER GF STAIRS

SCALE 1:20 @ A0

DATE 08.06.23

DRAWING NO 638 S 320

REVISION PR5



GRAVITY DESIGN

Old Bank Court, Monocro Street, London SE1 3JH  
+44(0)20 7099 9134 studio@gravitydesignuk.com

