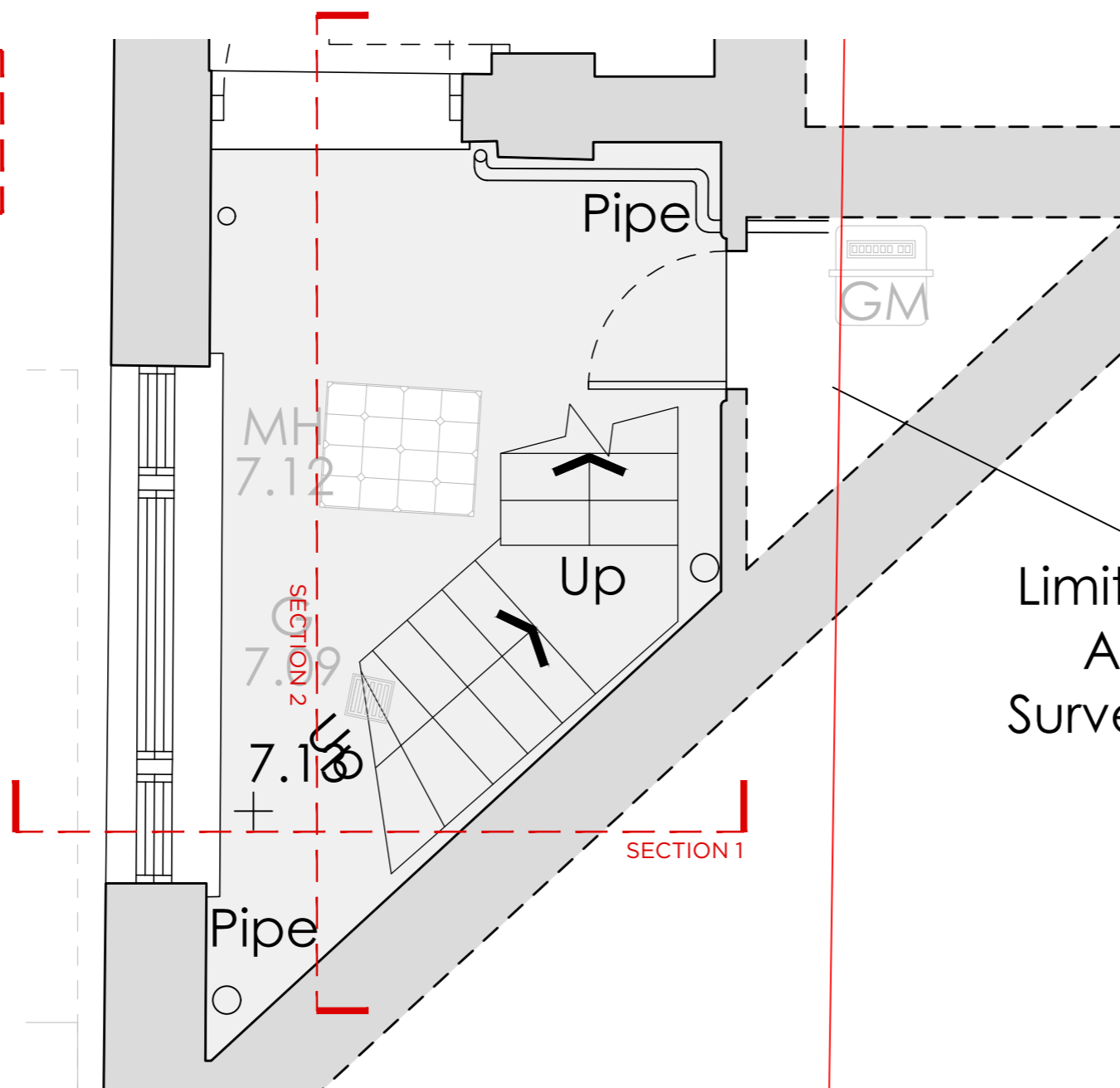
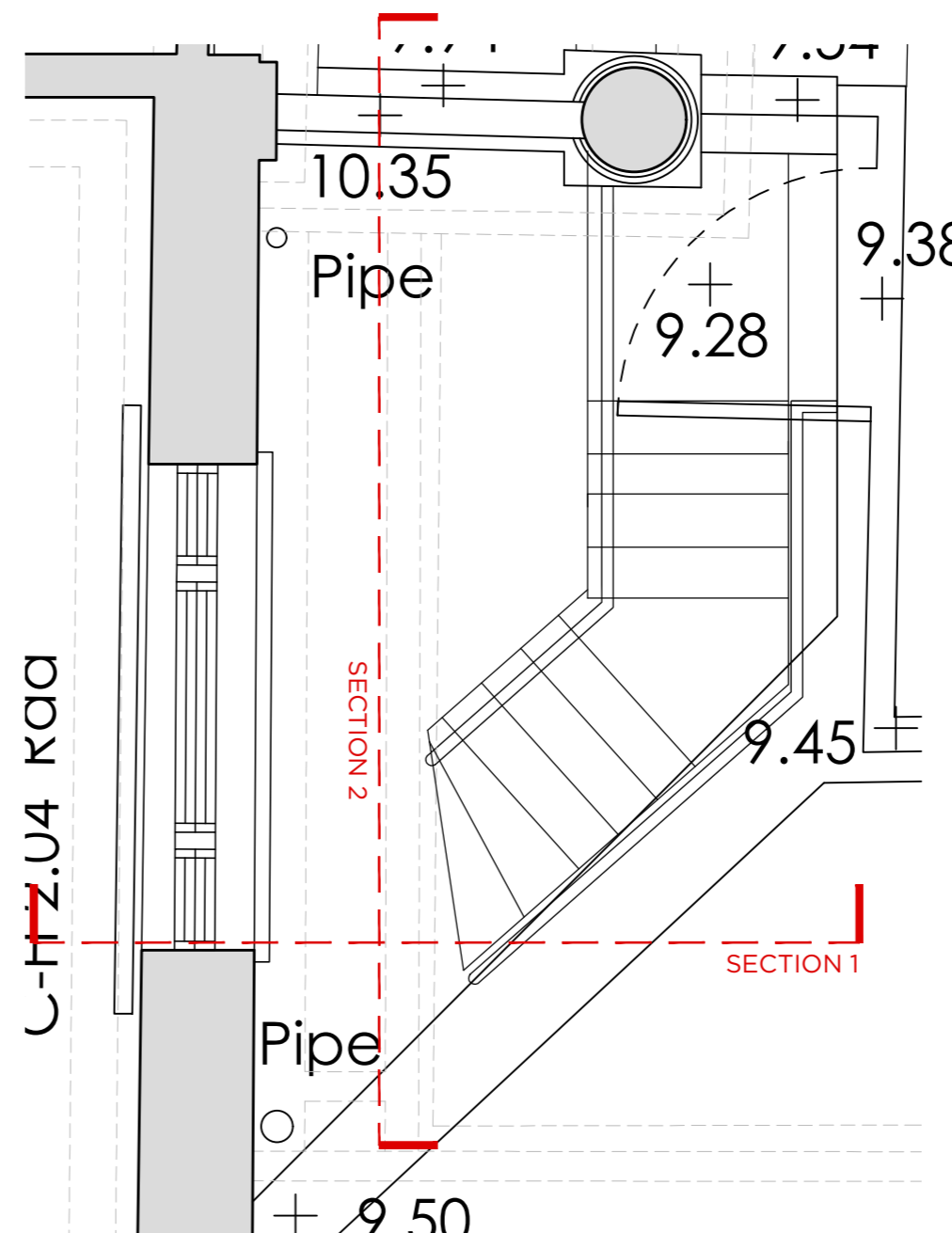


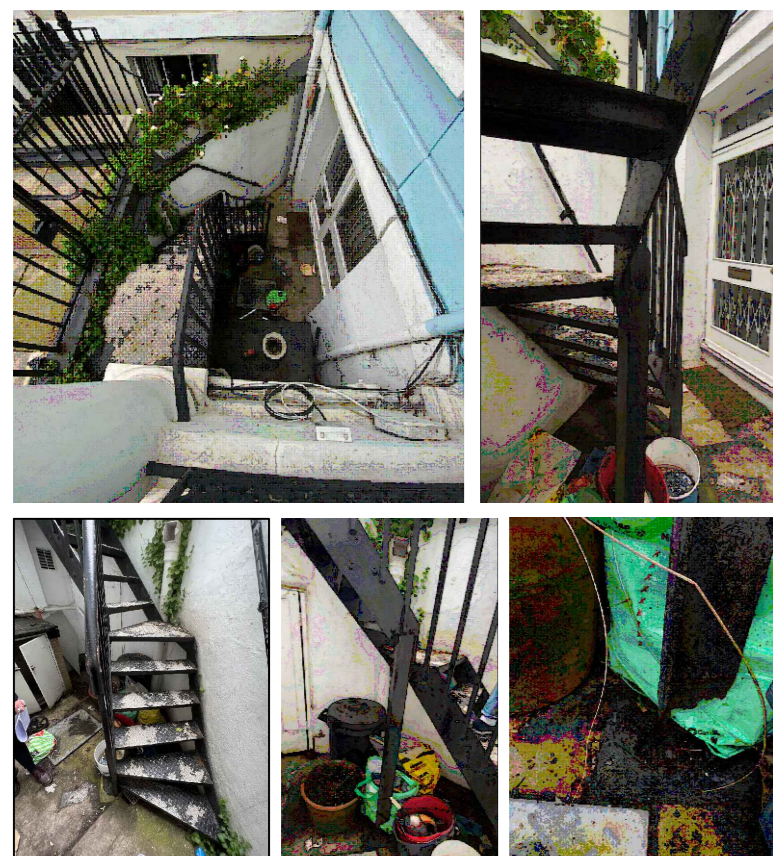
LOWER GROUND FLOOR PLAN
1:200 scale



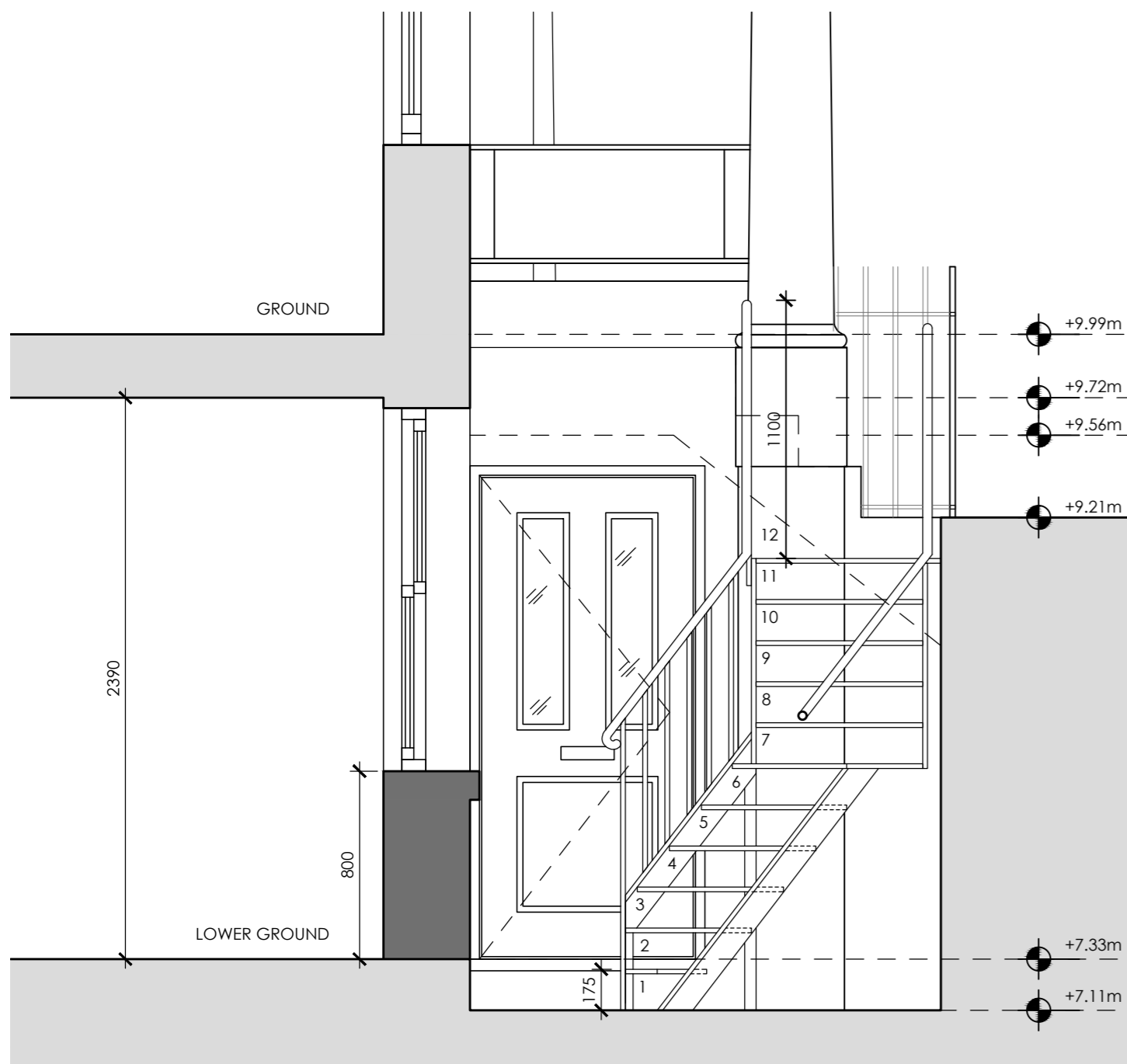
PROPOSED LOWER GROUND FLOOR PLAN EXTRACT
1:25 scale



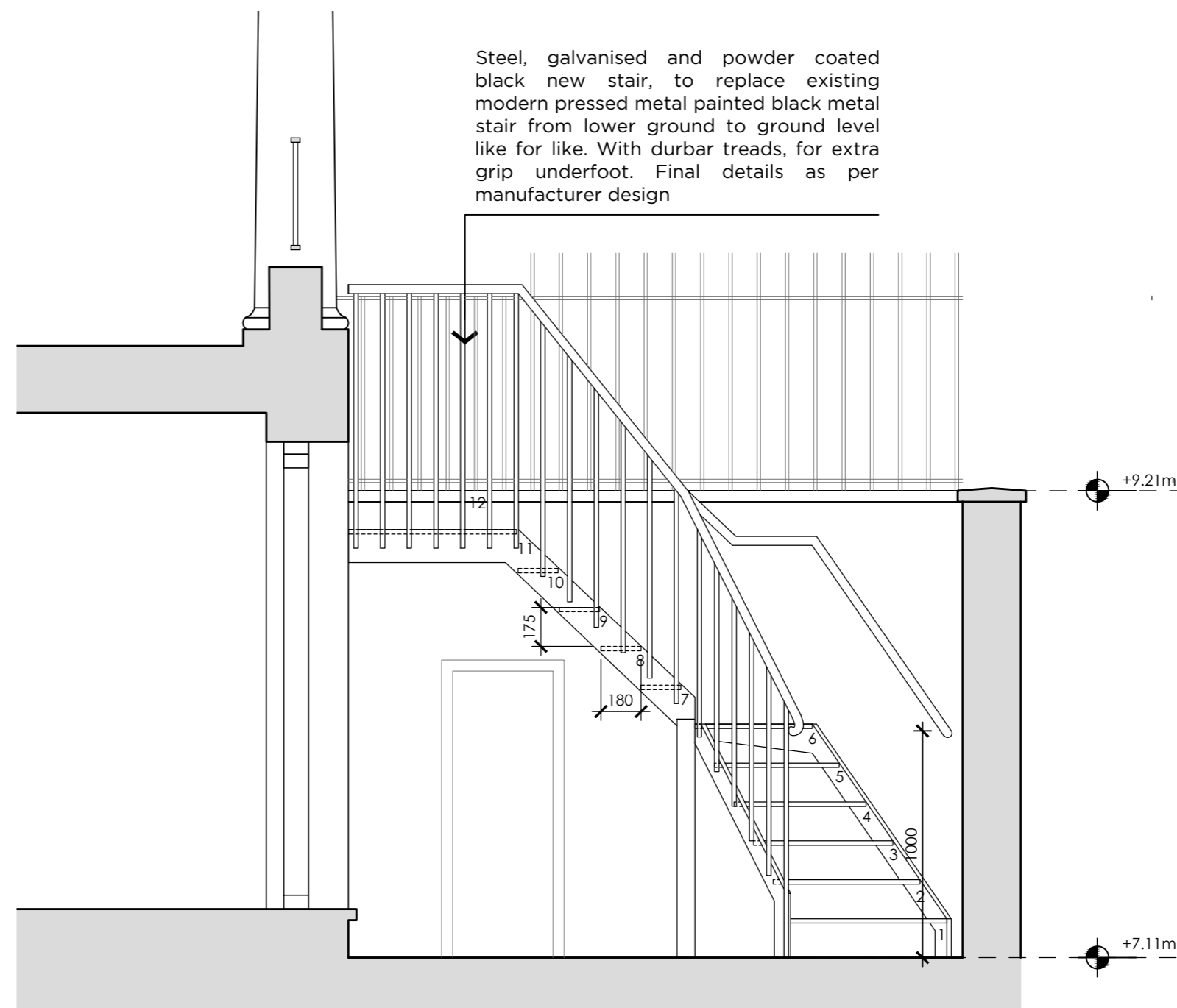
PROPOSED GROUND FLOOR PLAN EXTRACT
1:25 scale



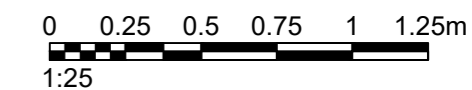
EXISTING LG FRONT STAIR PHOTOS, APRIL 2023
PROPOSED TO CLOSELY MATCH EXISTING



PROPOSED SECTION 1
1:25 scale



PROPOSED SECTION 2
1:25 scale



GENERAL NOTES:

Steel, galvanised and powder coated black new stair, to replace existing modern pressed metal painted black metal stair from lower ground to ground level like for like. With durbar treads, for extra grip underfoot.

Design to be reviewed and confirmed by SE and manufacturer.

Dimensions are based on measured survey provided to Gravity Design, indicative only and in any case to be checked with exact site dimensions before manufacturing.

To comply with all relevant Building Regulations.

PR3 PLANNING ISSUE	23.10.23	LT
PR2 PLANNING ISSUE	06.10.23	LWT
PR1 PRELIMINARY ISSUE	19.06.23	LT

Rev	Revision	Date	By
-----	----------	------	----

NOTES

All setting out dimensions and points will be found on the construction issue drawings

All dimensions to be checked on site prior to commencement of works. Do not scale this drawing

PLANNING

PROJECT
28 CHALCOT SQUARE

TITLE
PROPOSED FRONT LG STAIR
DETAILS

SCALE 1:25 @ A2

DATE 19.06.23

DRAWING NO 638 D 401

REVISION PR3



GRAVITY DESIGN

Old Bank Court, Morocco Street, London SE1 3HB
+44(0)20 7089 9134 studio@gravitydesign.uk.com