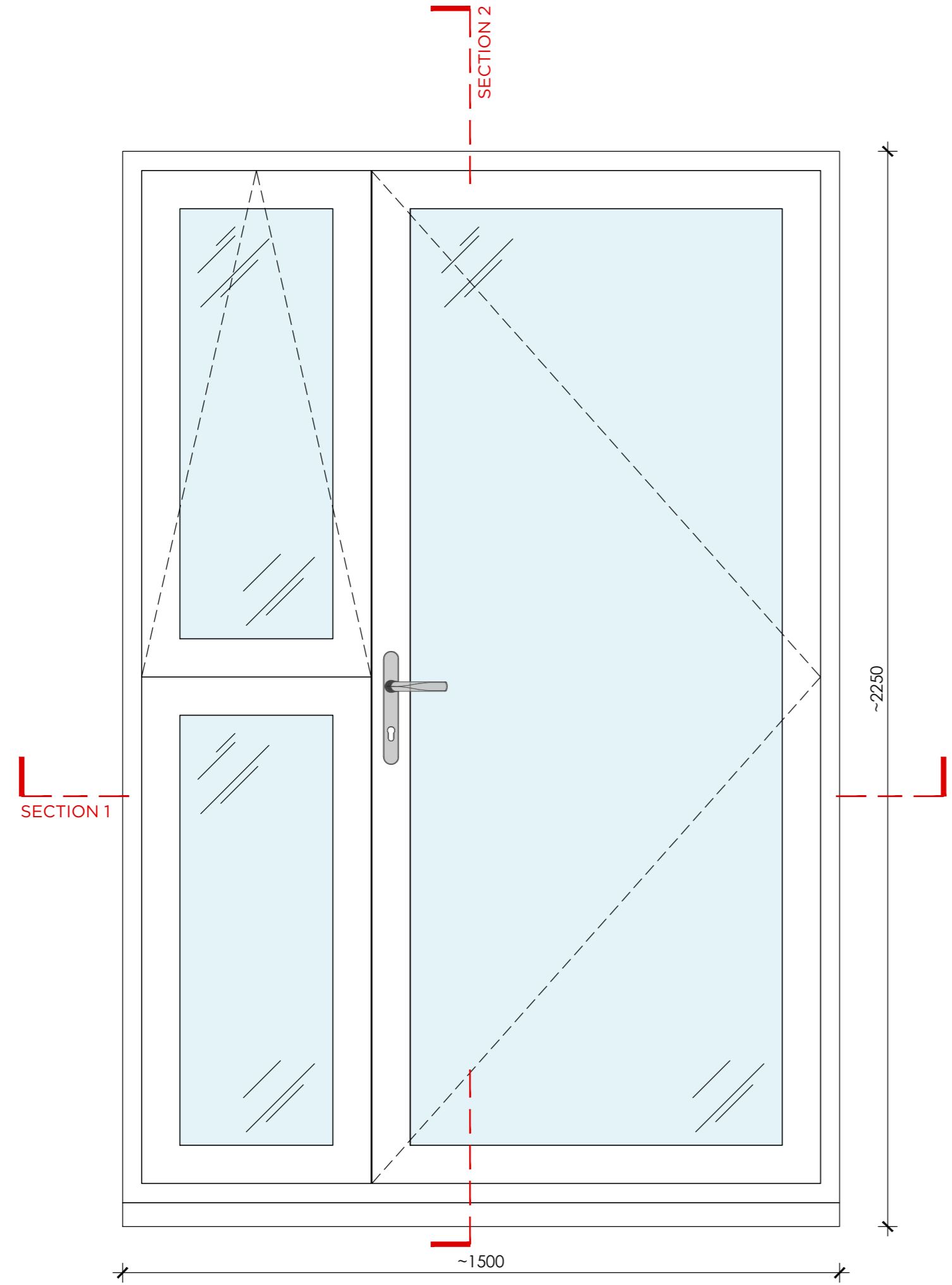


**GENERAL NOTES:**  
 PROPOSED REAR ELEVATION,  
 NEW TIMBER DOOR

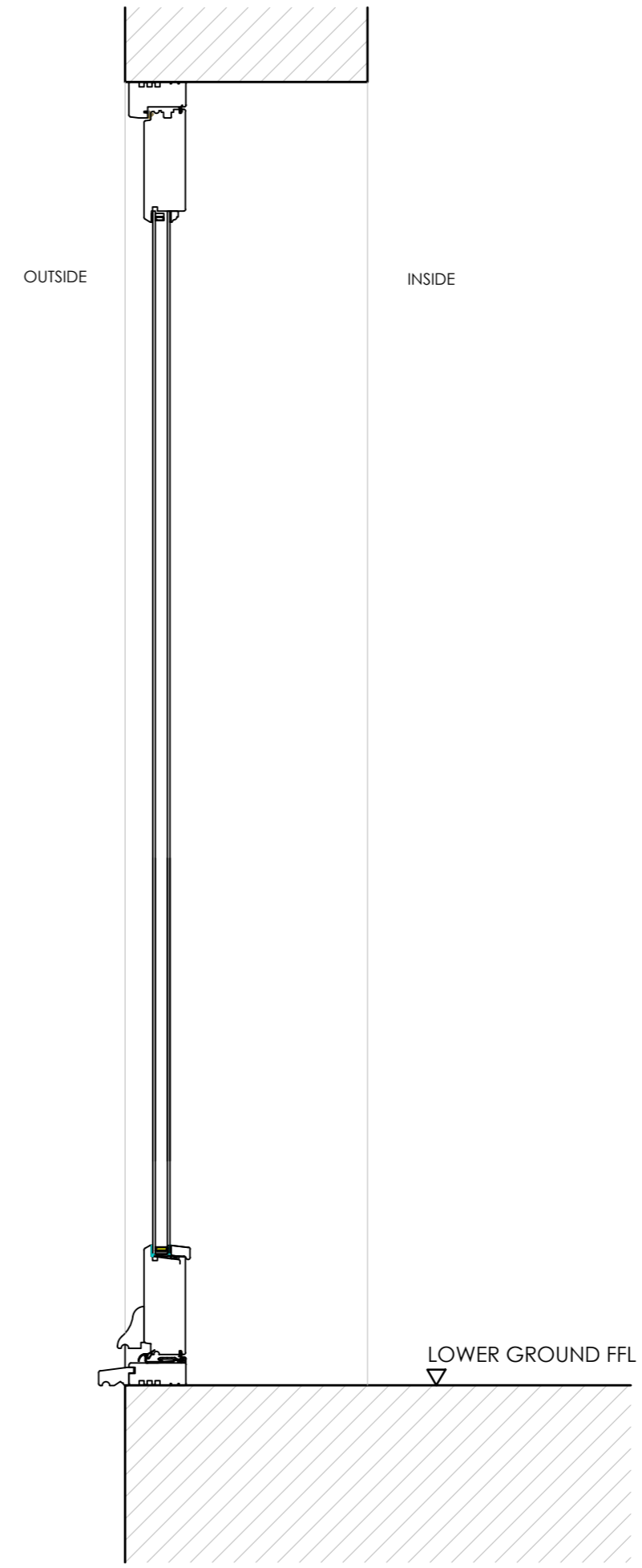
DLG-04  
 Ref. to front elevation drawing 638 E 210

Colour and finish to match other windows.

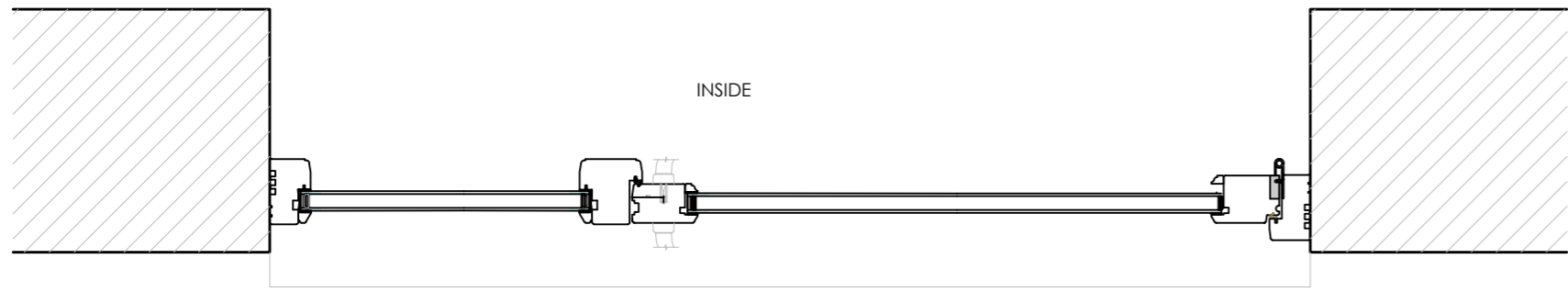
To be read in conjunction with all relevant Gravity Design drawings, schedules and documents.



PROPOSED REAR ELEVATION, NEW TIMBER DOOR DLG-04  
 1:10 scale



PROPOSED SECTION 2  
 1:10 scale



PROPOSED SECTION 1  
 1:10 scale

Rev	Revision	Date	By
PR1	PLANNING ISSUE	20.11.23	LT

**NOTES**

All setting out dimensions and points will be found on the construction issue drawings

All dimensions to be checked on site prior to commencement of works. Do not scale this drawing

## PLANNING

**PROJECT**  
 28 CHALCOT SQUARE

**TITLE**  
 PROPOSED NEW LG,  
 REAR DOOR DETAILS

**SCALE** 1:10 @ A2

**DATE** 20.11.2023

**DRAWING NO** 638 D 423

**REVISION** PR1



**GRAVITY DESIGN**