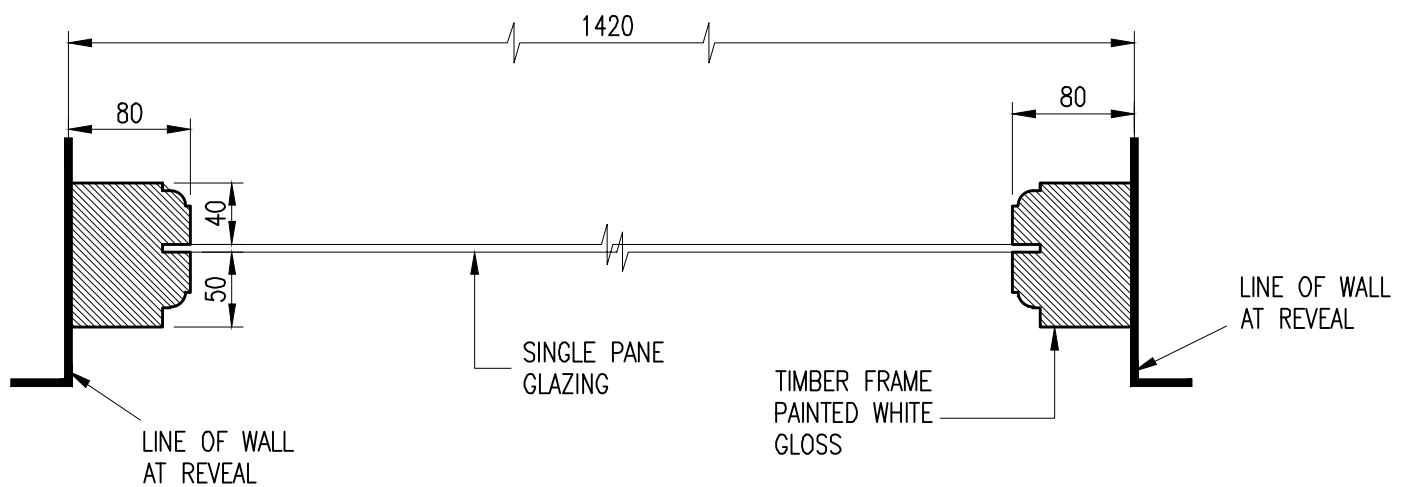


VERTICAL SECTION THROUGH
EXISTING SIDE WINDOW
SCALE 1:5



PLAN SECTION THROUGH
EXISTING SIDE WINDOW
SCALE 1:5

				Client Mr A. LALANI		Drawing Title SECTIONS OF EXISTING SHOP SIDE WINDOW			
				Project 146 REGENT'S PARK RD PRIMROSE HILL LONDON NW1 8XN		Project No. WE02607		Discipline S	Drawing No. 208
				Drawing Status PLANNING		Scale 1:5		Date NOV 23	Revision
Rev Revisions	Detail	By	Chk	Date	Drawn RN	Checked	Sheet Size A3		