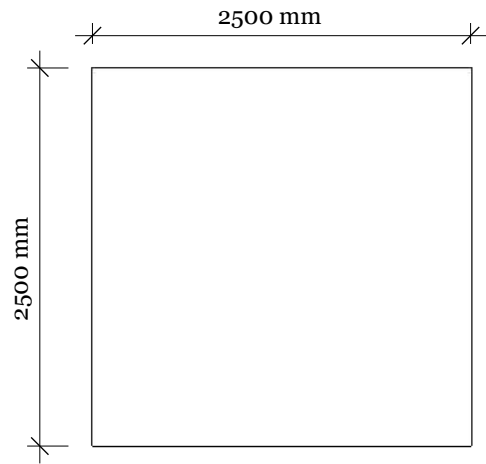


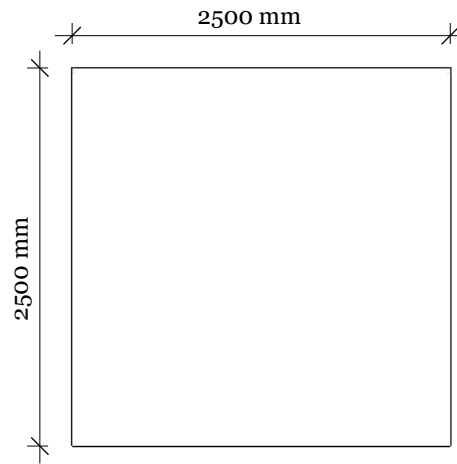


London Garden Rooms
221 High Road
South Woodford
E18 2PB

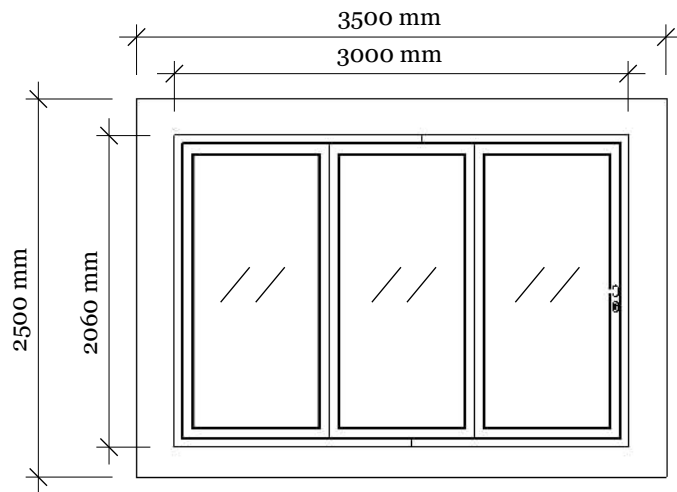
Left Elevation



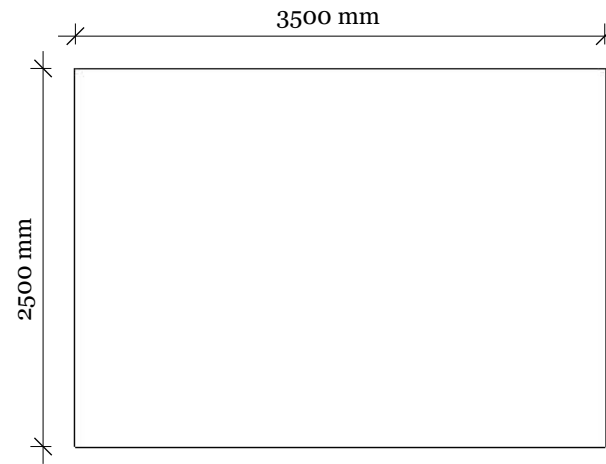
Right Elevation



Front Elevation



Rear Elevation



CLIENT
Louis Hopson & Emma Gillet
Flat 2,
53 Ainger Road
NW3 3AH

PROJECT
Hopson

DRAWN BY
London Garden Rooms

ISSUE
03/05/2023

RE-ISSUE
MM.DD.YY

DESCRIPTION
Planning Application

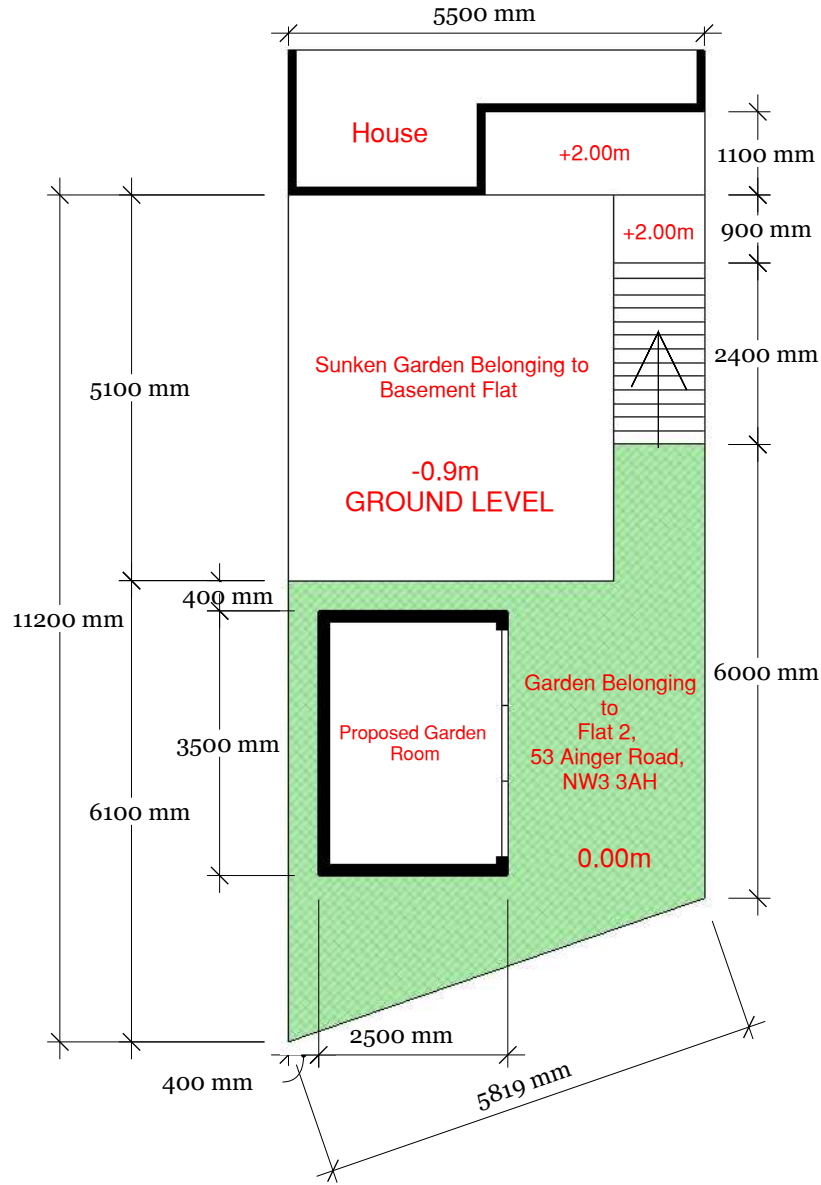
SCALE BAR 1:50



A0.1

Proposed Garden Room Plan

Scale 1:100



London Garden Rooms
221 High Road
South Woodford
E18 2PB

CLIENT
Louis Hopson & Emma Gillet
Flat 2,
53 Ainger Road
NW3 3AH

PROJECT
Hopson

DRAWN BY
London Garden Rooms

ISSUE
03/05/2023

RE-ISSUE
MM.DD.YY

DESCRIPTION
Planning Application

SCALE BAR 1:100



A0.2