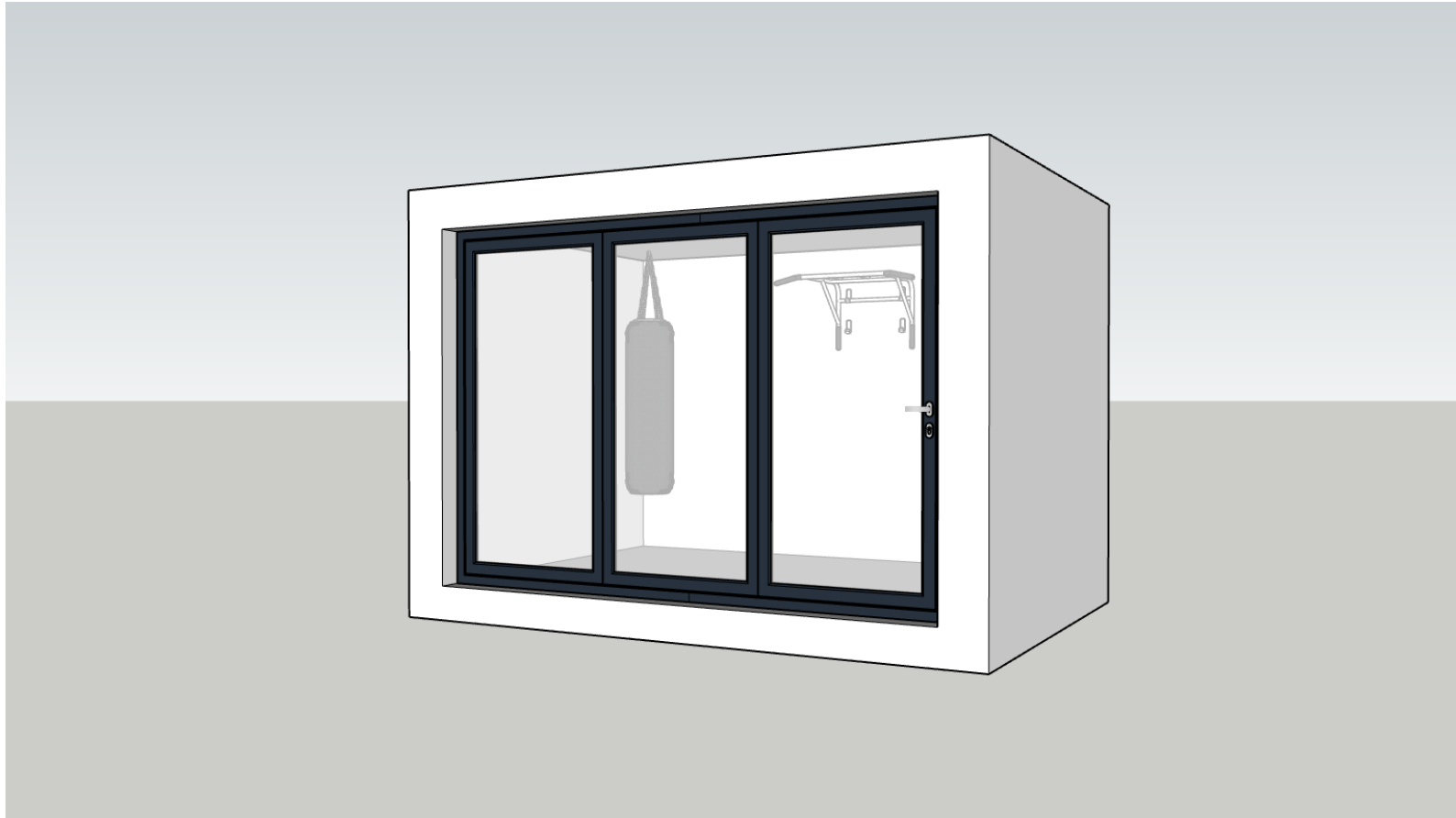


DESIGN #6

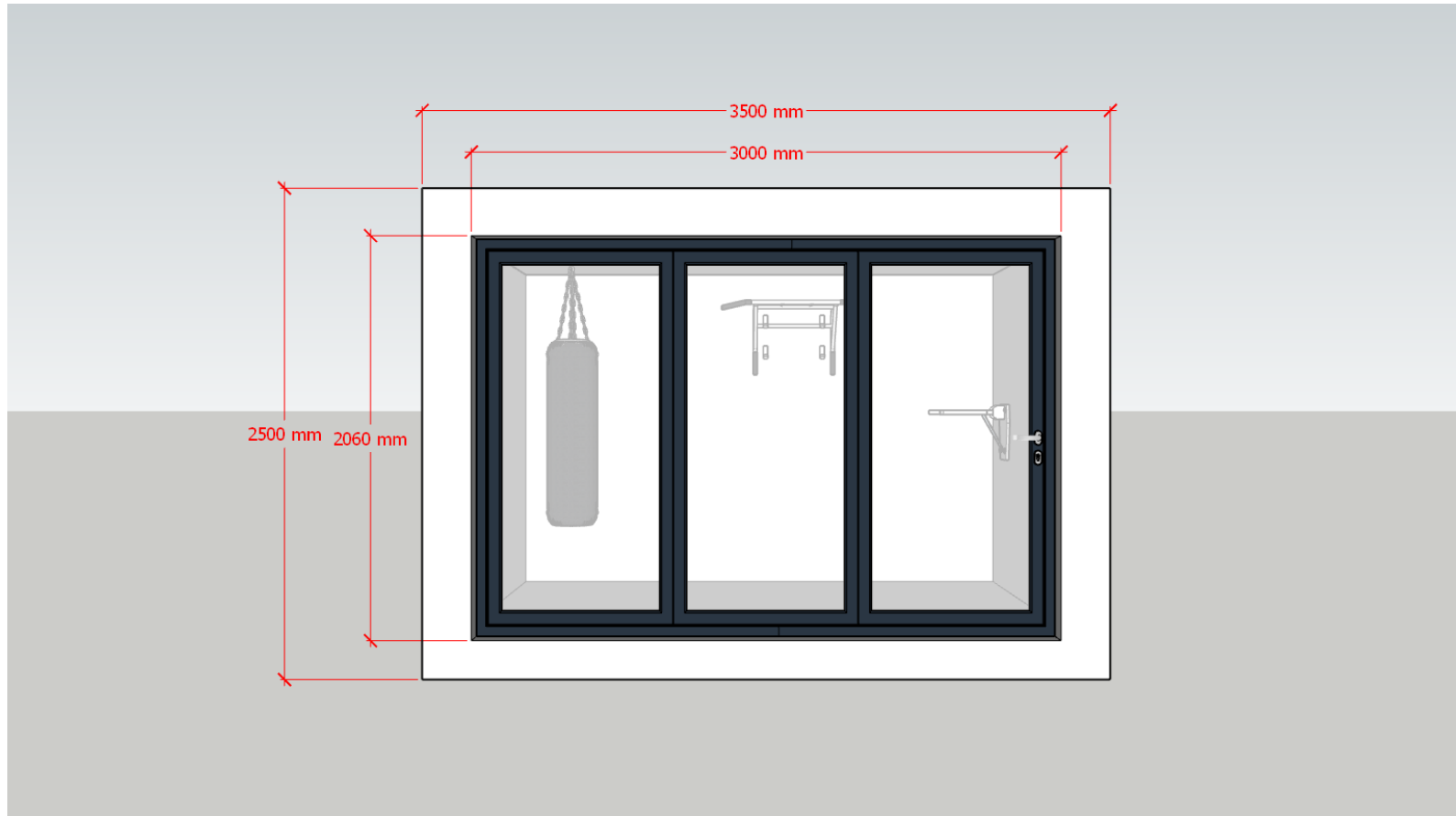
---

LOUIS HOPSON & EMMA GILLET  
FLAT 2, 53 AINGER RD, NW3 3AH  
12<sup>TH</sup> APRIL 2023



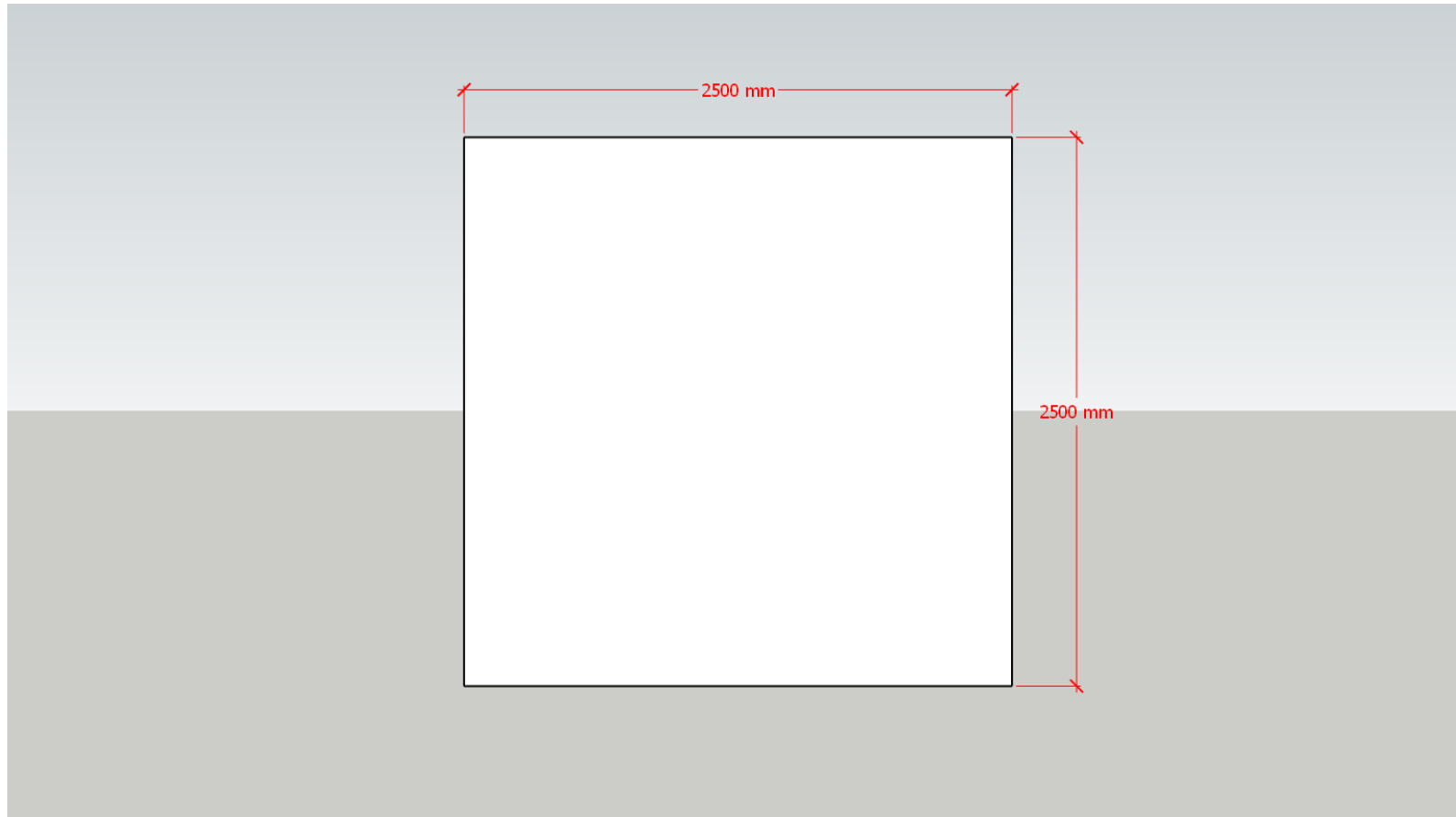
LOUIS HOPSON & EMMA GILLET  
FLAT 2, 53 AINGER RD, NW3 3AH  
12<sup>TH</sup> APRIL 2023

# FRONT ELEVATION



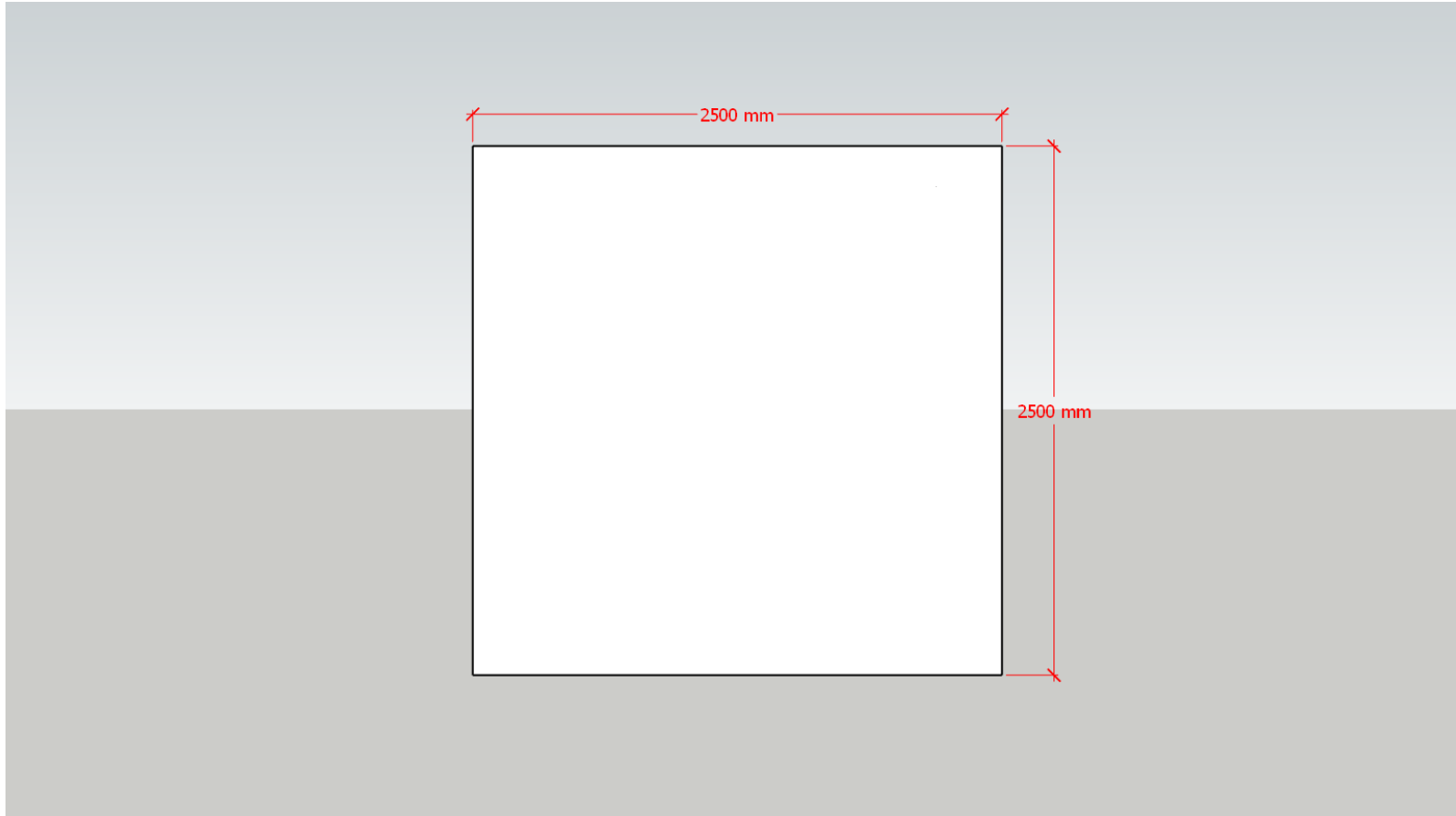
LOUIS HOPSON & EMMA GILLET  
FLAT 2, 53 AINGER RD, NW3 3AH  
12<sup>TH</sup> APRIL 2023

# RIGHT HAND SIDE ELEVATION



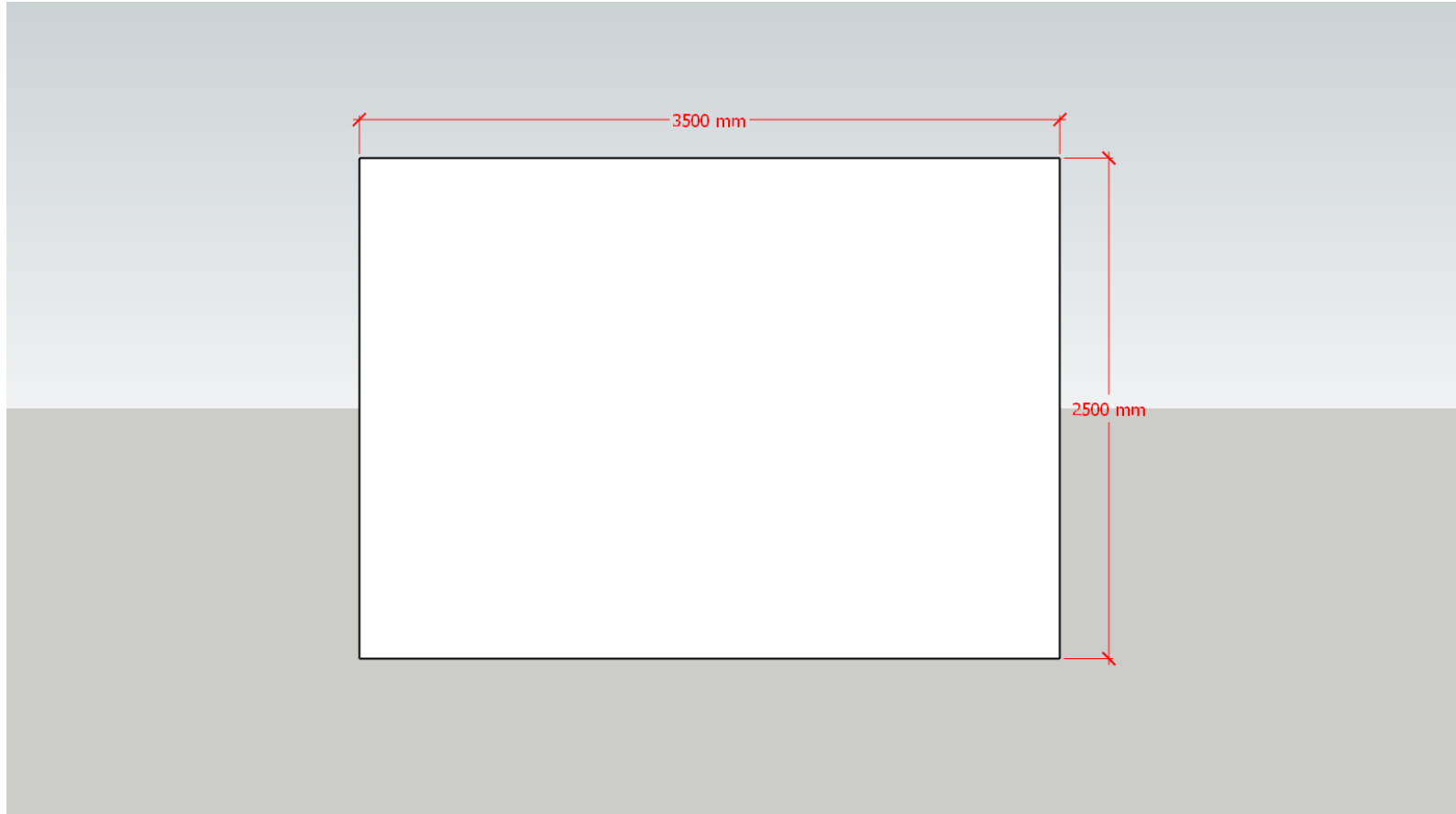
LOUIS HOPSON & EMMA GILLET  
FLAT 2, 53 AINGER RD, NW3 3AH  
12<sup>TH</sup> APRIL 2023

# LEFT HAND SIDE ELEVATION



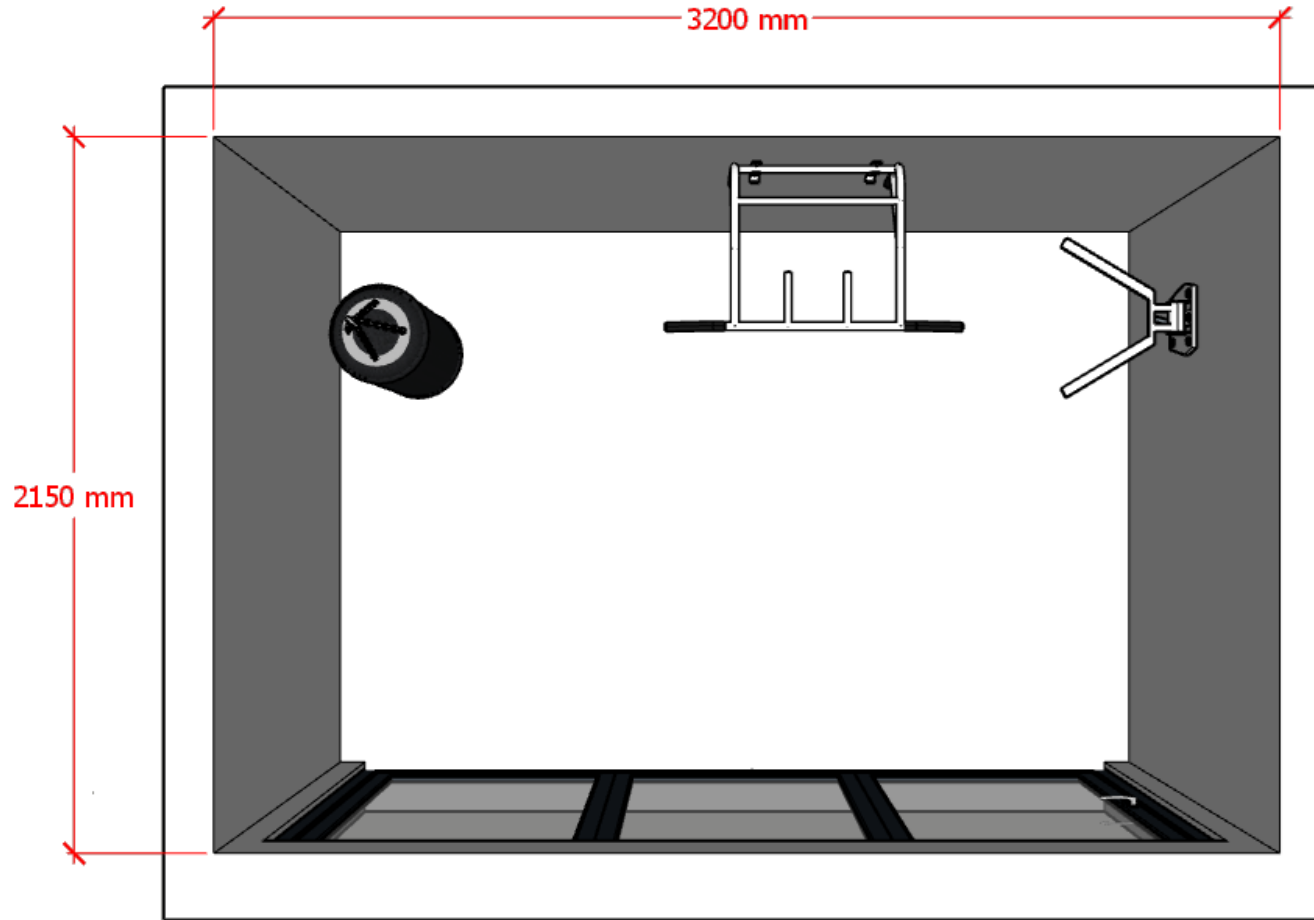
LOUIS HOPSON & EMMA GILLET  
FLAT 2, 53 AINGER RD, NW3 3AH  
12<sup>TH</sup> APRIL 2023

# REAR ELEVATION



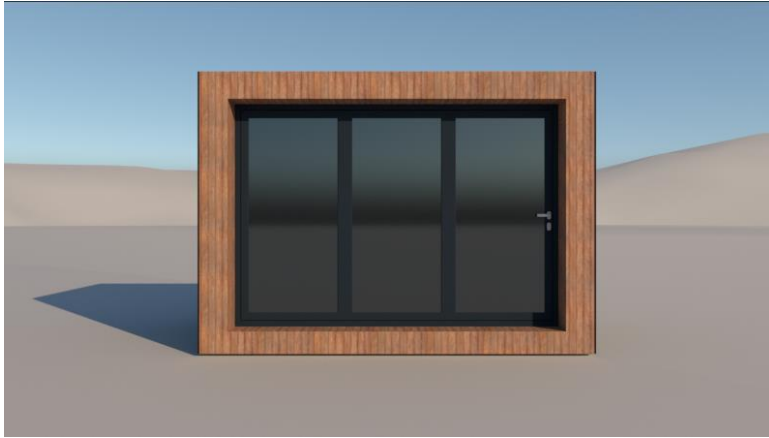
LOUIS HOPSON & EMMA GILLET  
FLAT 2, 53 AINGER RD, NW3 3AH  
12<sup>TH</sup> APRIL 2023

# INTERNAL DIMENSIONS

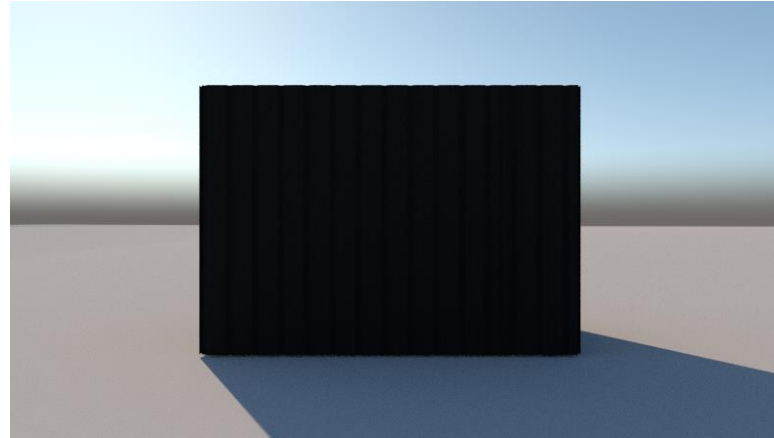


LOUIS HOPSON & EMMA GILLET  
FLAT 2, 53 AINGER RD, NW3 3AH  
12<sup>TH</sup> APRIL 2023

# CLADDING



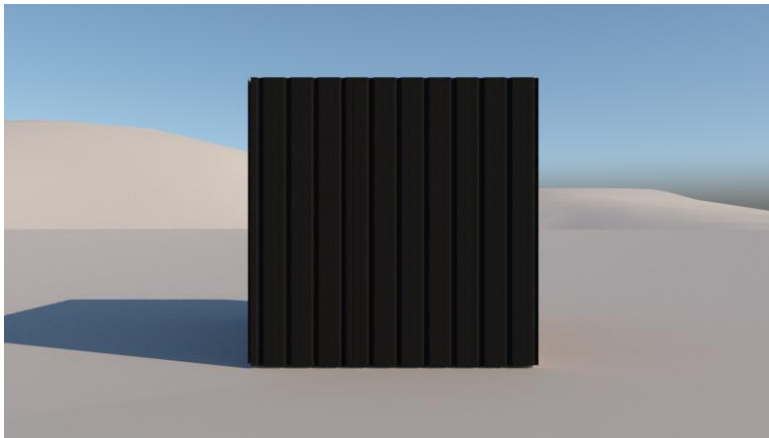
FRONT ELEVATION: CEDAR SLATTED CLADDING , BLACK DOORS



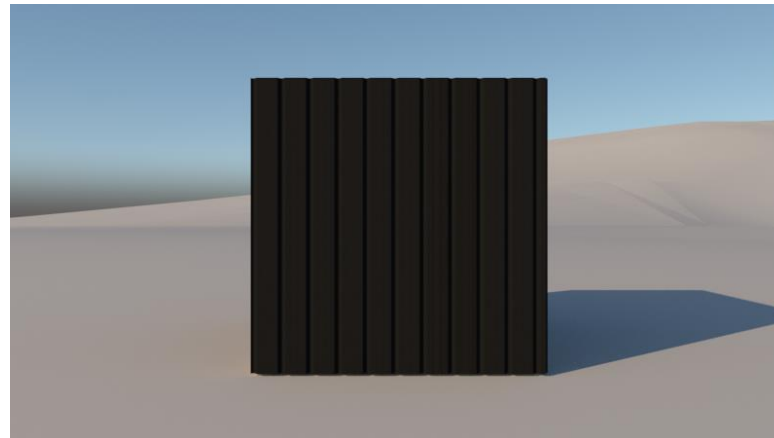
REAR ELEVATION: BLACK METAL CLADDING



CEDAR CLADDING



LEFT SIDE ELEVATION: BLACK METAL CLADDING



RIGHT SIDE ELEVATION: BLACK METAL CLADDING + CEDAR CLADDING

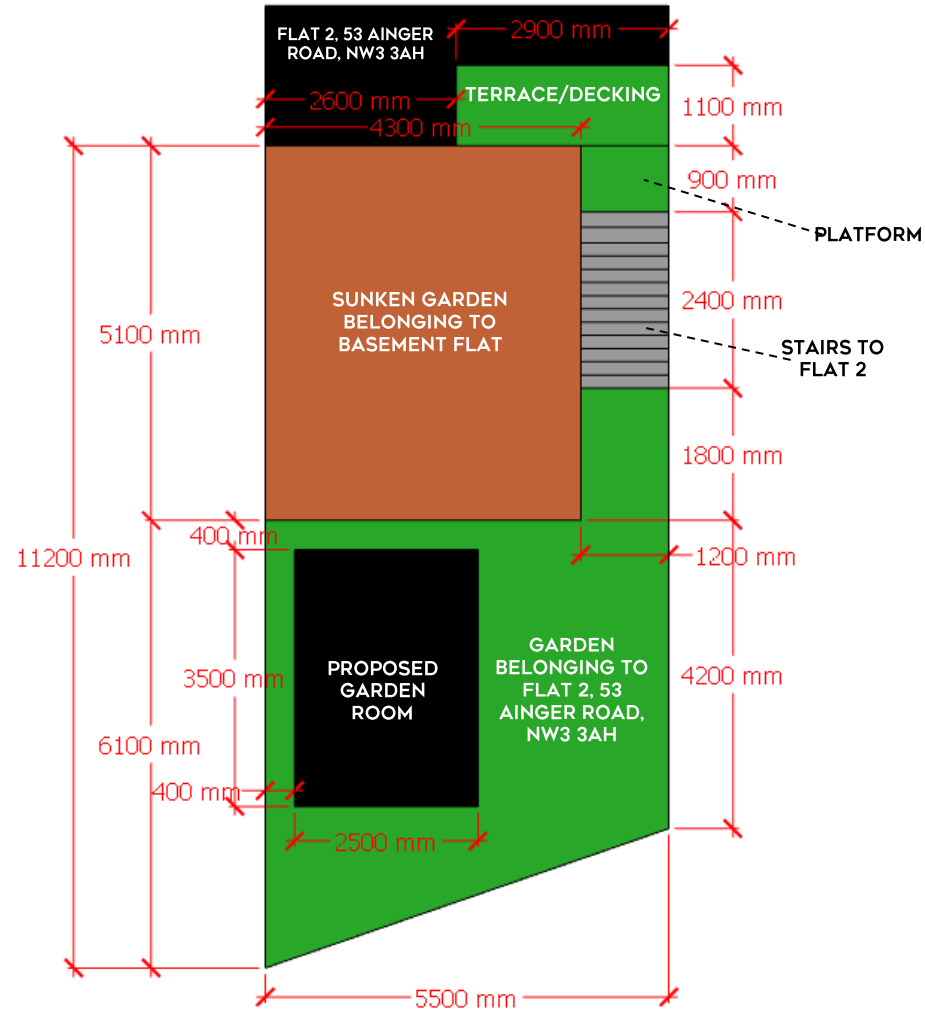


BLACK METAL CLADDING

LOUIS HOPSON & EMMA GILLET  
FLAT 2, 53 AINGER RD, NW3 3AH  
12<sup>TH</sup> APRIL 2023



# GARDEN LAYOUT



LOUIS HOPSON & EMMA GILLET  
FLAT 2, 53 AINGER RD, NW3 3AH  
12<sup>TH</sup> APRIL 2023