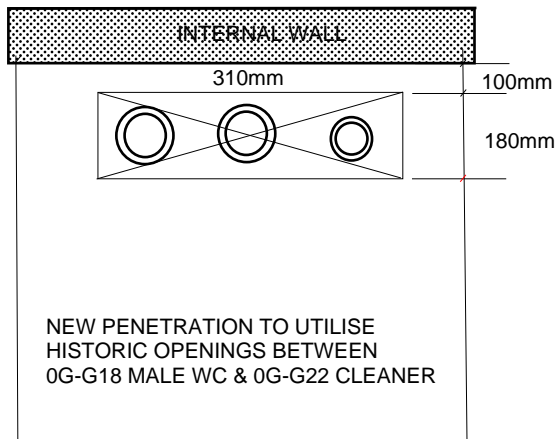
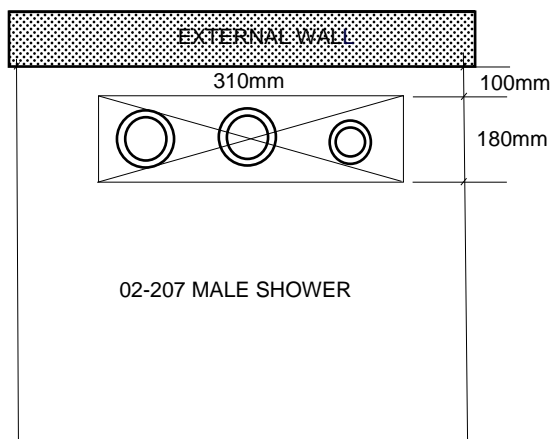


522223-FCG-ZZ-XX-DR-Z-5001-S2-P01- ELEVATIONS



PENETRATION 18	
GROUND FLOOR	
NEW PENETRATION TO UTILISE HISTORIC OPENINGS	
RECTANGULAR	
WO	380W X 180H
BCWS	Ø22 BCWS
HWS	Ø22 HWS-F Ø15 HWS-R
HIGH LEVEL OPENING	



PENETRATION 11	
SECOND FLOOR	
NEW PENETRATION TO UTILISE HISTORIC OPENINGS	
RECTANGULAR	
SO	380W X 180H
BCWS	Ø22 BCWS
HWS	Ø22 HWS-F Ø15 HWS-R