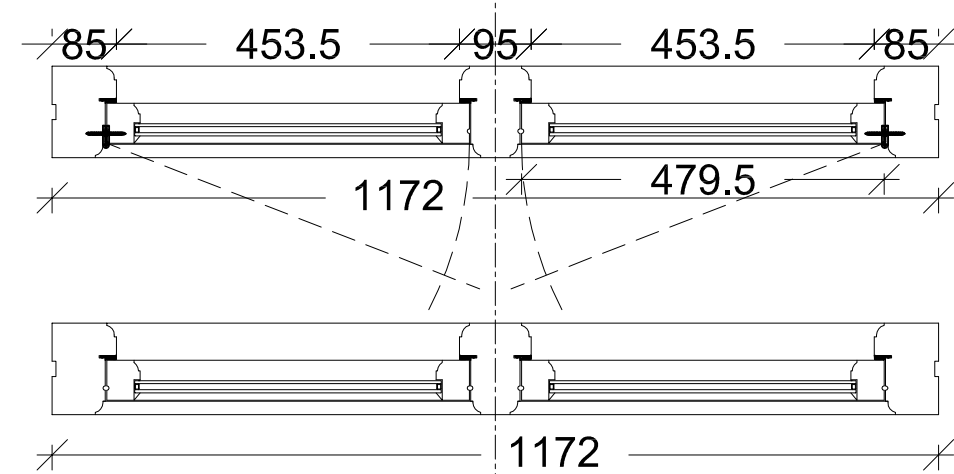
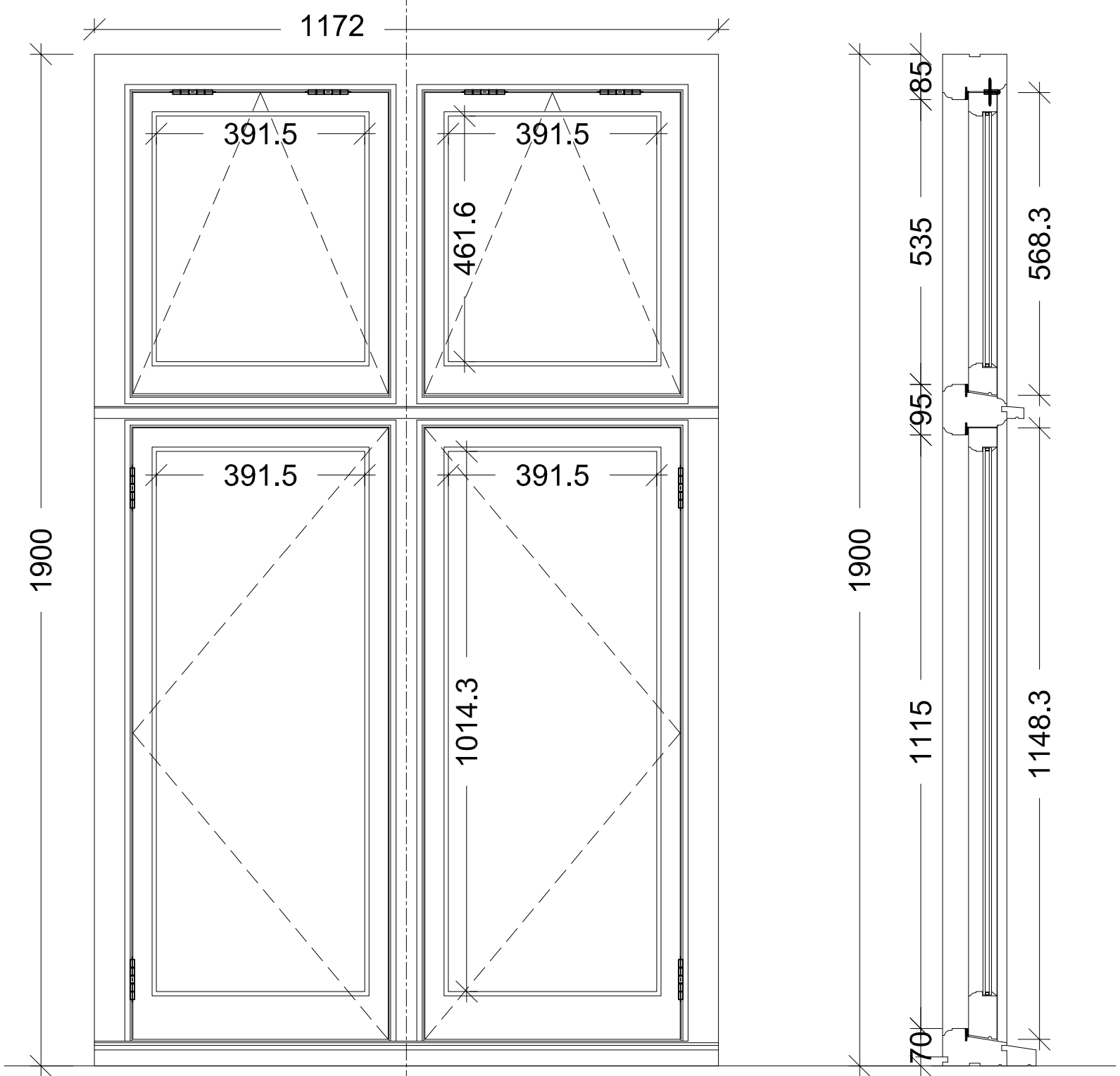
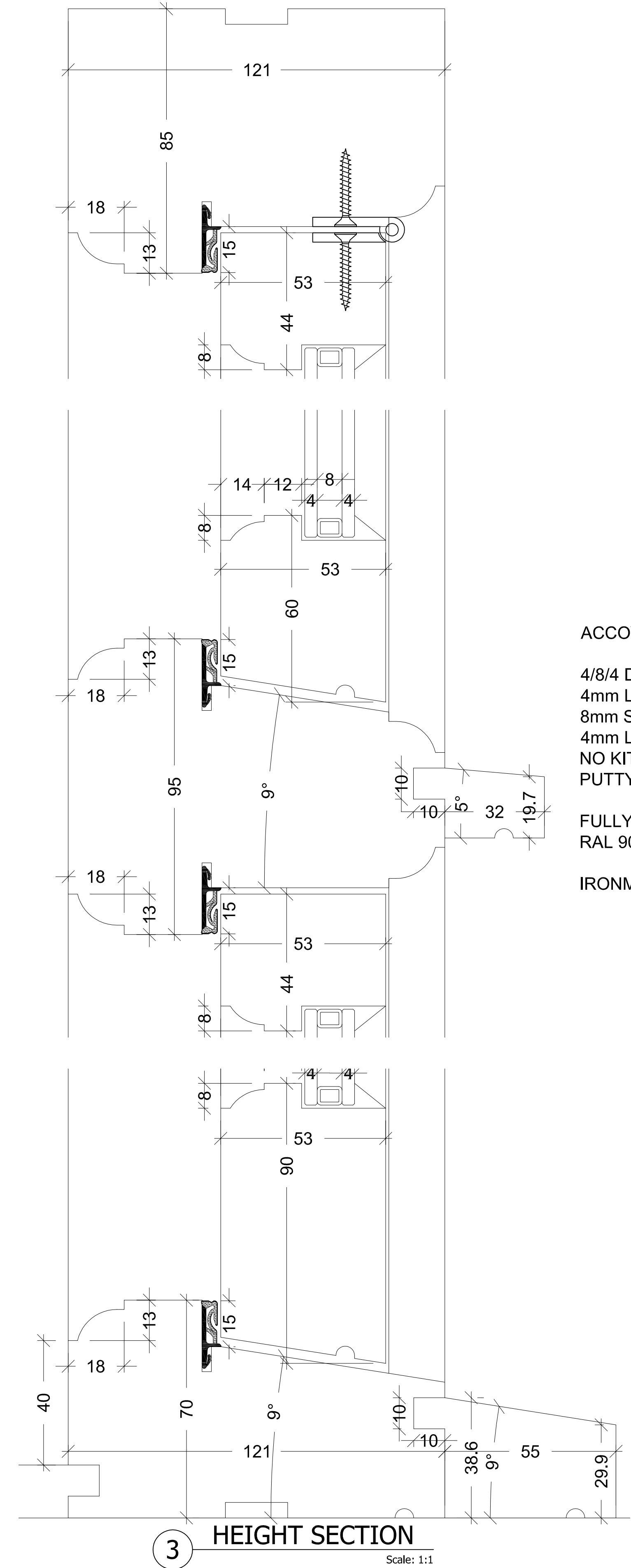


W 06
1172x1900 F

2 WIDTH SECTION
Scale: 1:1



1 ELEVATION
Scale: 1:10



3 HEIGHT SECTION
Scale: 1:1

ACCOYA FRAME & SASHES.

4/8/4 DGU.
4mm LOW E.
8mm SPACER (BLACK).
4mm LOW E TOUGHENED.
NO KITE MARKS.
PUTTY GLAZED.

FULLY FINISHED WHITE
RAL 9010 TBC.

IRONMONGERY TBC.

Surveyed

Approval Procedure

- Status A Drawing approved (proceed with manufacture)
- Status B Minor comments to capture (revise & proceed with manufacture)
- Status C Major comments / Re-draw (DO NOT proceed with manufacture)

Date: _____ Initials: _____
Signature: _____

SB JOINERY
BEAUTIFULLY BRITISH
Danebury Works, Middle Wallop, Stockbridge
Hampshire, SO20 8HQ
T:01254 783143
sales@sbjdanebury.com | www.sbjdanebury.com

FOR APPROVAL

Client: A BAILIWICK	
Drawing Title: W06	
Site Address: HOLFORD ROAD	
Drawn: pg	NW3 1AD
Check: RB	Date: 14/08/2023
Scale: Listed @	A1
SBJ Ref: SBJ W06	Rev: 2