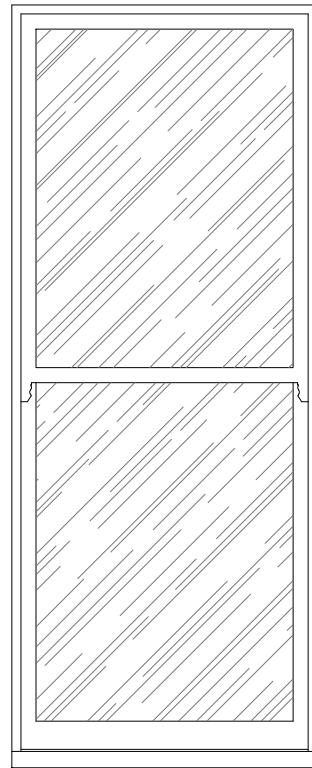
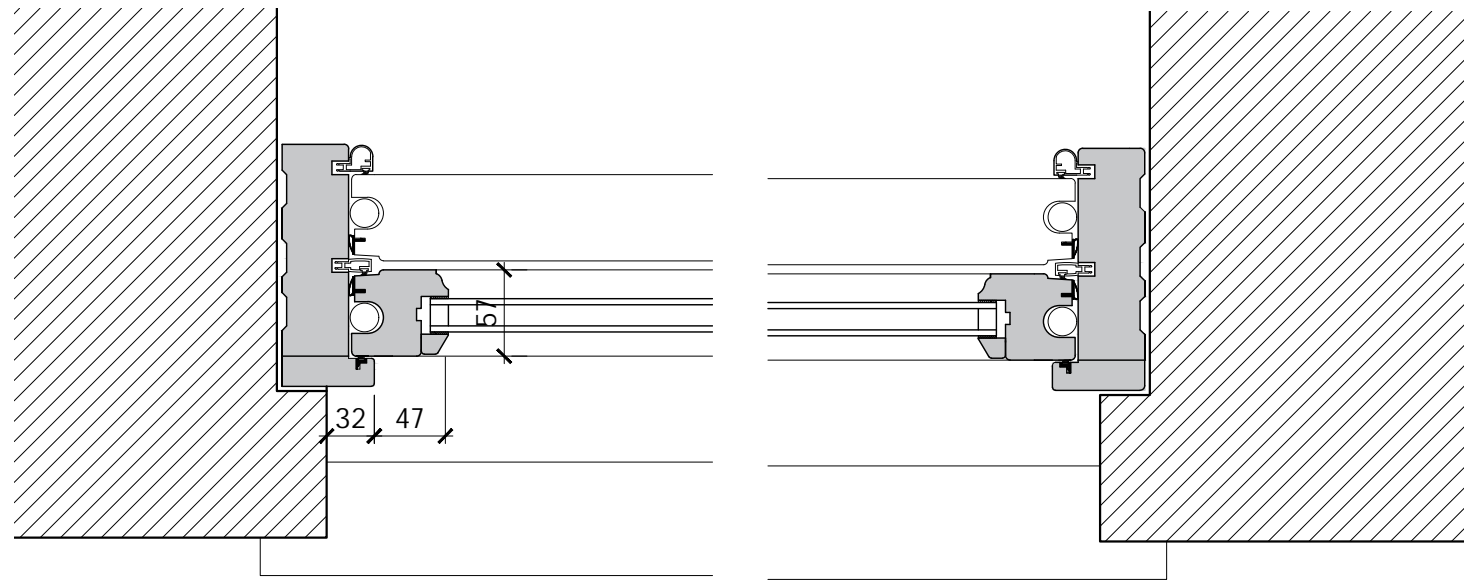


Proposed Timber Sash Window Cross Section
Scale 1:5 @ A3



Proposed Timber Sash Window Elevation
Scale 1:25 @ A3



Proposed Timber Sash Window Plan Section
Scale 1:5 @ A3

Issued For PLANNING
General Notes: THIS DRAWING HAS BEEN PREPARED BY DS DESIGN SOLUTIONS AND THE DATA CONTAINED HEREIN MAY BE USED OR REPRODUCED ONLY WITH DS DESIGN SOLUTIONS' APPROVAL.

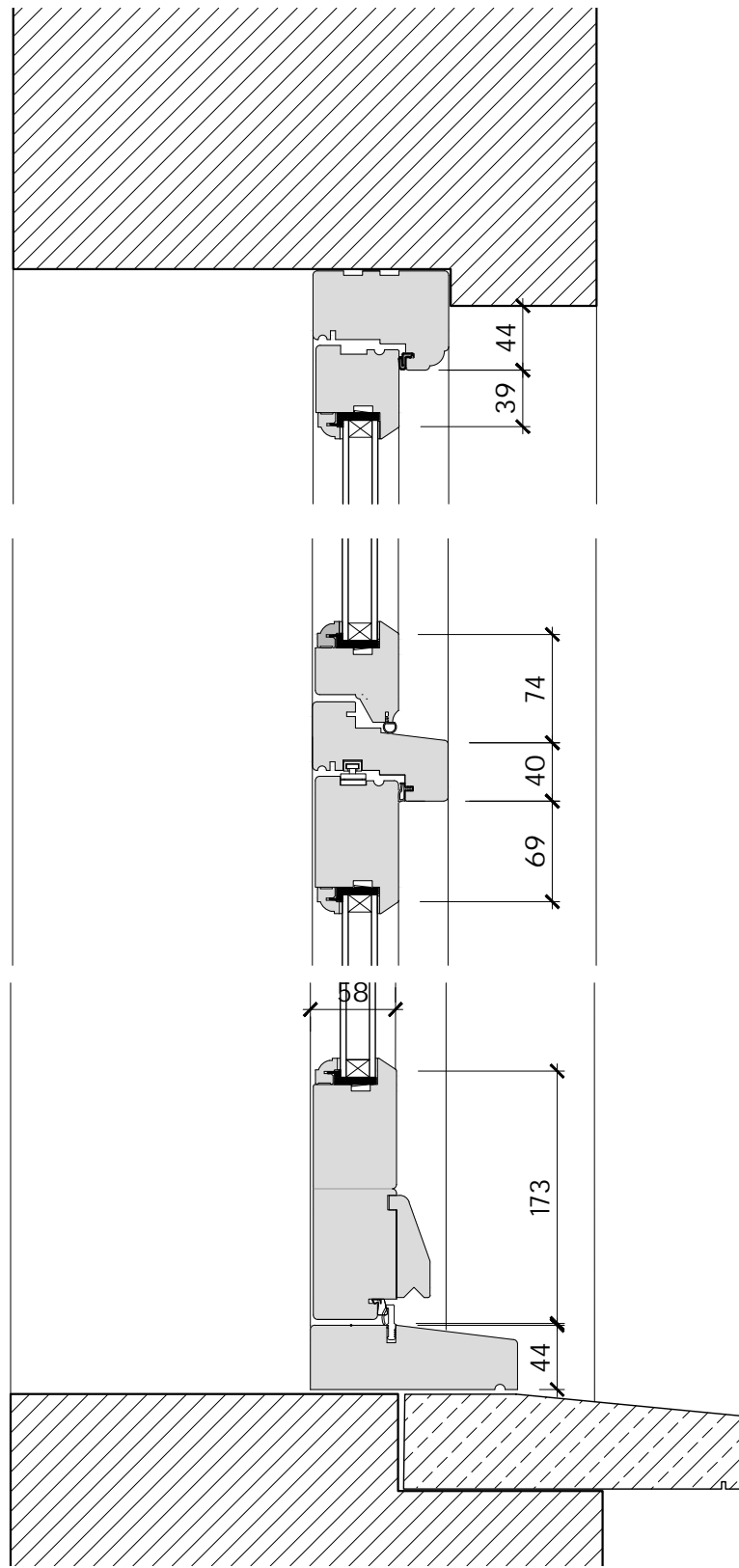
Rev.	Description	Date	Signed	Checked

--

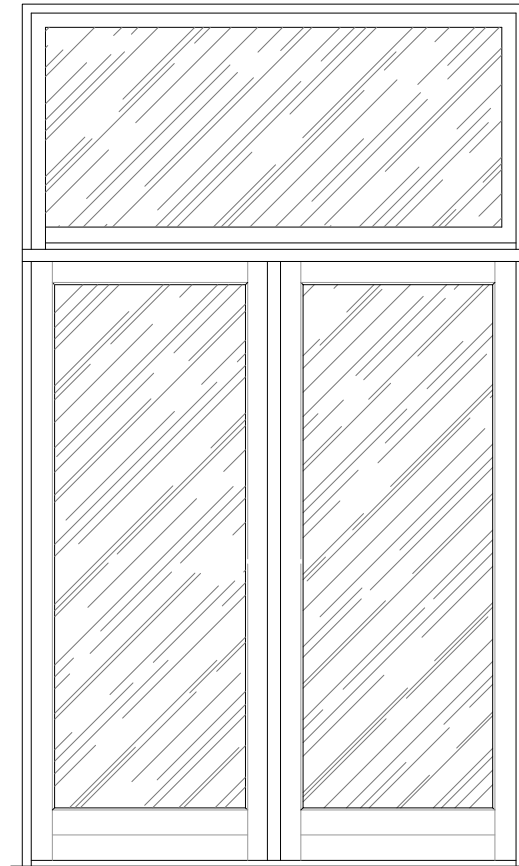
--

Scale 1:100 @ A3	Date 24.09.2023	Drawn by AL	Checked by DS
Drawing Title Proposed Timber Sash Window Details			
Project Flat 2, Belsize Park Gardens London NW3 4JH			

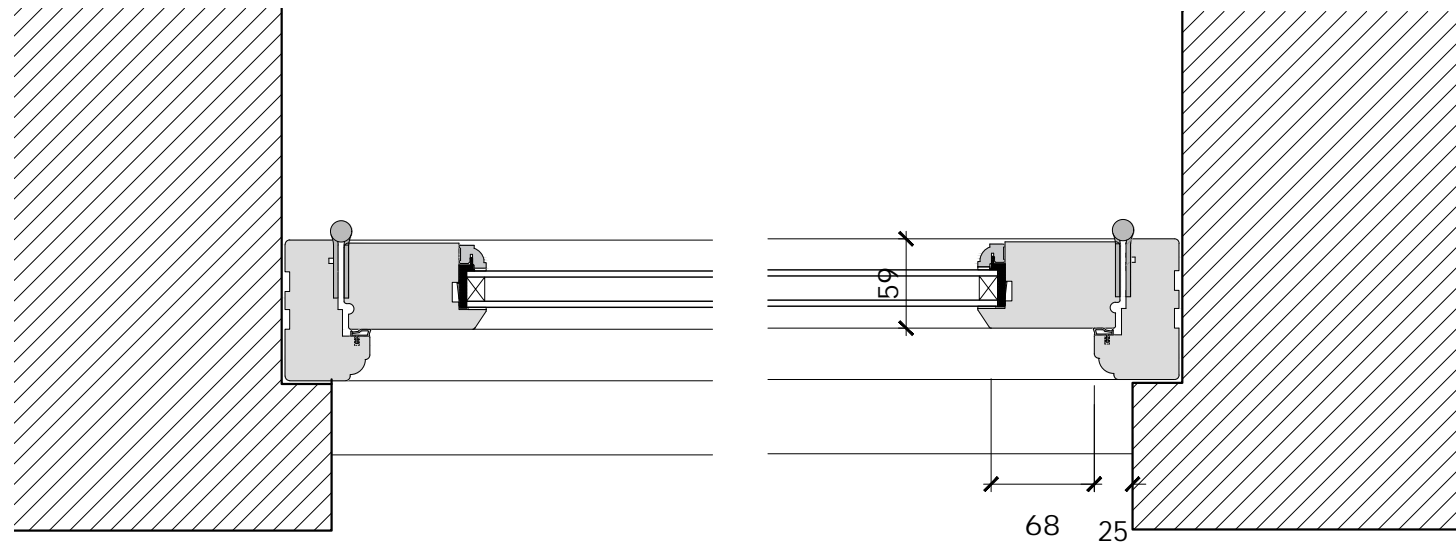
 561 Finchley Road London NW3 7BJ Phone 020 7433 3939 Fax 020 7794 4279 www.DesignSolutionsUK.com	Project no. 17 / 0326	Drawing no. 12	Revision 00
---	--------------------------	-------------------	----------------




Proposed Timber Doors Cross Section
Scale 1:5 @ A3



Proposed Timber Doors Elevation
Scale 1:25 @ A3



Proposed Timber Doors Plan Section
Scale 1:5 @ A3

Issued For PLANNING	Rev.	Description	Date	Signed	Checked			Scale	Date	Drawn by	Checked by	 561 Finchley Road London NW3 7BJ Phone 020 7433 3939 Fax 020 7794 4279 www.DesignSolutionsUK.com	
	General Notes: THIS DRAWING HAS BEEN PREPARED BY DS DESIGN SOLUTIONS AND THE DATA CONTAINED HEREIN MAY BE USED OR REPRODUCED ONLY WITH DS DESIGN SOLUTIONS' APPROVAL.							1:100 @ A3	24.09.2023	AL	DS		Drawing Title Proposed Timber Door Details
								Project	Flat 2, Belsize Park Gardens London NW3 4JH		Project no. 17 / 0326	Drawing no. 13	Revision 00