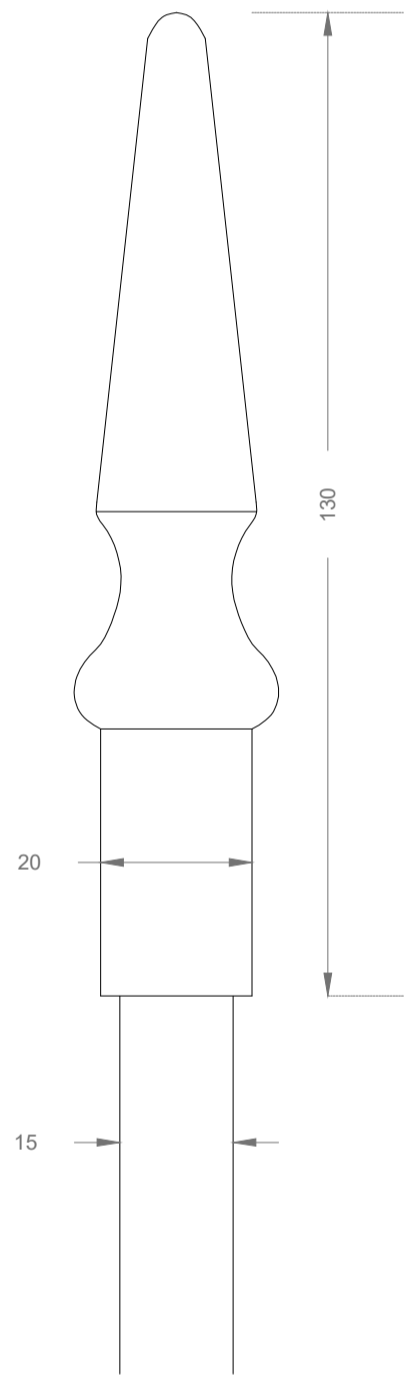
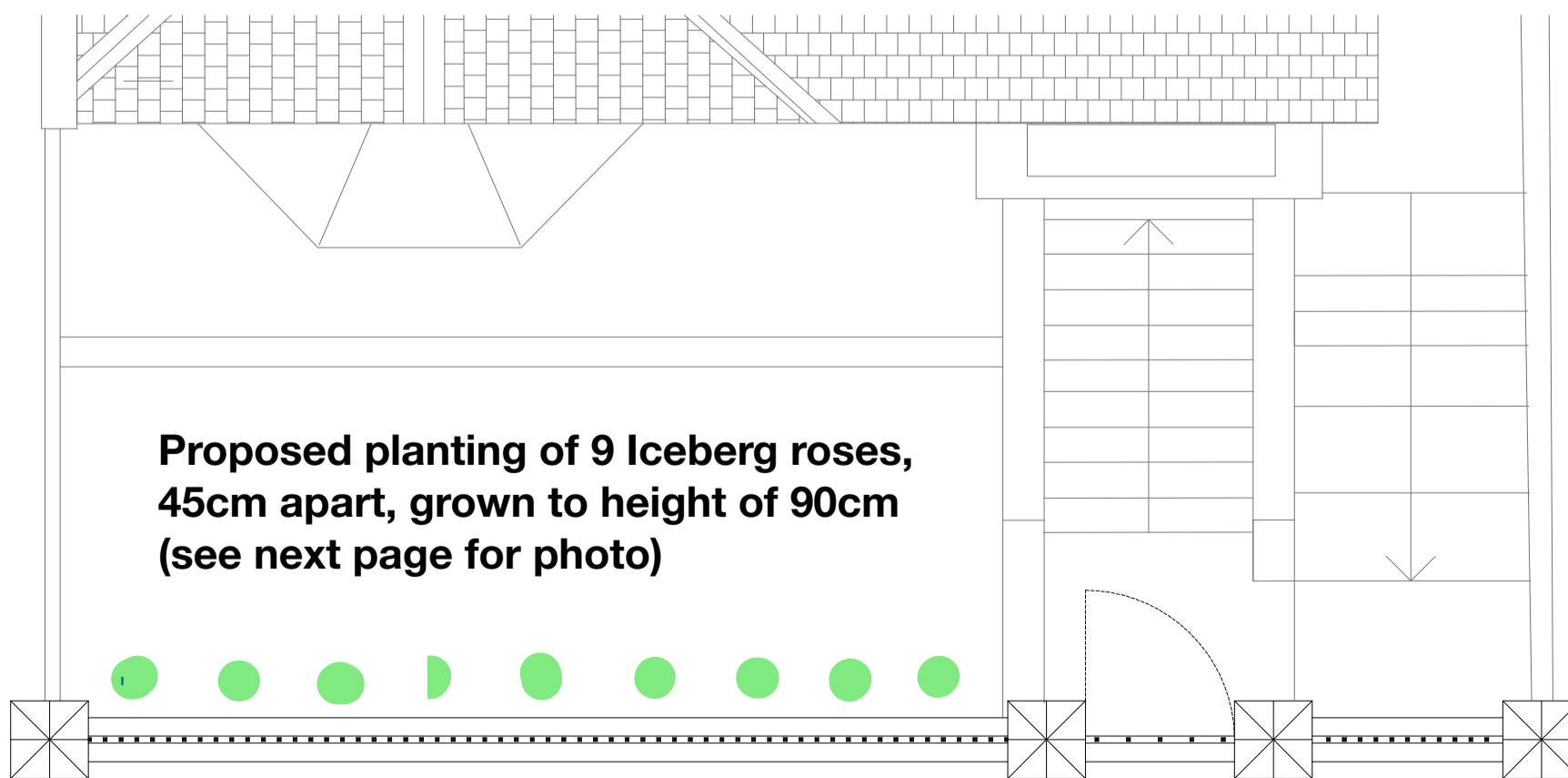




1 - Proposed - Front Elevation  
Scale 1:50

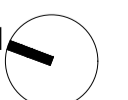


3 - Proposed - Railhead  
Scale 1:1



**Proposed planting of 9 Iceberg roses,  
45cm apart, grown to height of 90cm  
(see next page for photo)**

2 - Proposed - Front garden Plan  
Scale 1:50



Notes	5 Tanza Road NW3 2UA London						
	PROPOSED - Plan and Elevation						
Client	Luke and Carlote B-J	Scale	1:50 @A2	Date	September 2023	Drawing	P-001A



Example of iceberg rose hedge

Note: recommended planting spacing is 3-4 feet apart

<https://www.davidaustinroses.co.uk/blogs/news/how-far-apart-should-rose-shrubs-be-planted>