

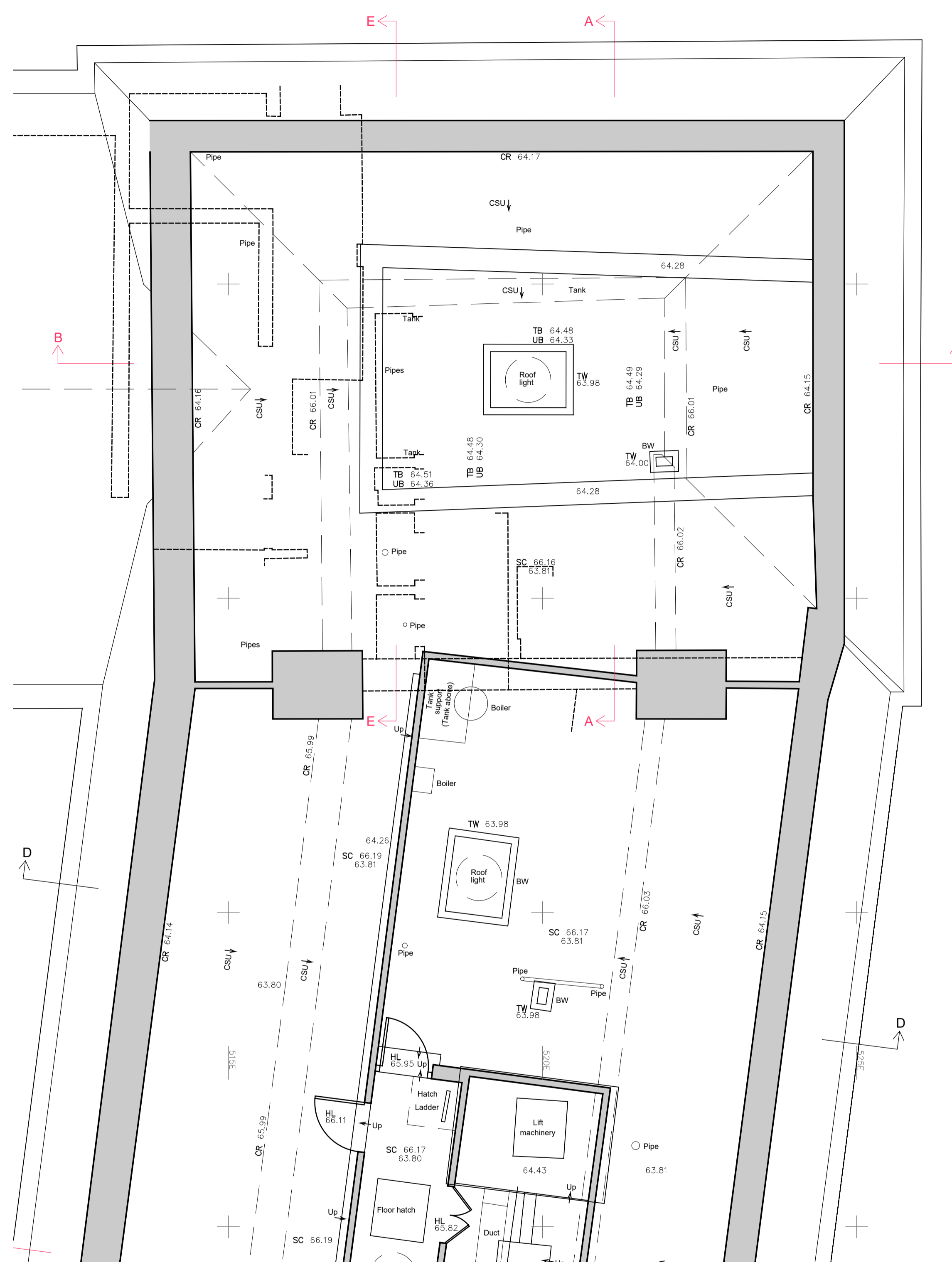
THIS DRAWING MUST BE READ IN CONJUNCTION WITH OTHER ARCHITECTS, CONSULTANTS, SUB-CONTRACTORS AND SPECIALIST DRAWINGS.

ALL DIMENSIONS ARE IN MILLIMETRES UNLESS STATED OTHERWISE.

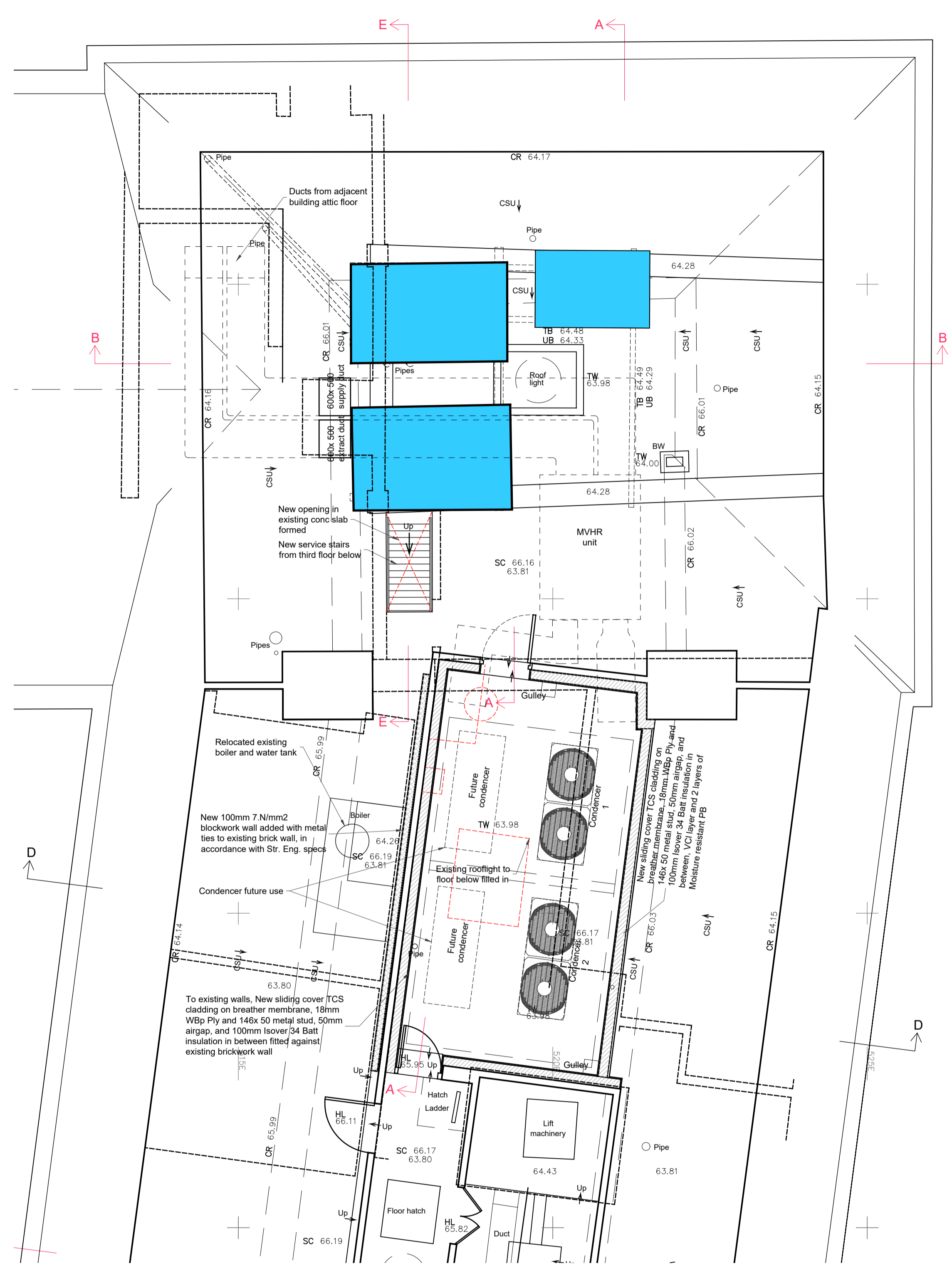
ALL DIMENSIONS ARE TO BE VERIFIED ON SITE AND CONFIRMED BY THE CONTRACTOR, BEFORE COMMENCEMENT OF CONSTRUCTION.

IF THIS DRAWING EXCEEDS THE QUANTITIES TAKEN, IN ANY WAY, THE ARCHITECTS ARE TO BE INFORMED BEFORE THE WORK IS PUT IN HAND.

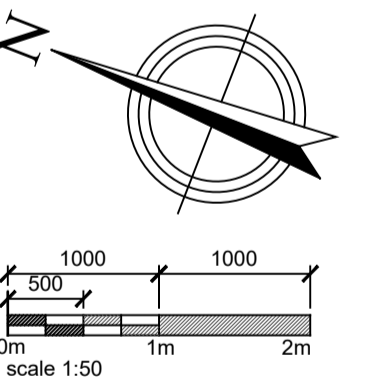
Rev	Date	Revision	By	Chk
E	17.01.20	ISSUED FOR TENDER	AM	***
F	13.03.20	Sheet layout revised	AM	***
		- Plan layout updated		



**ATTIC FLOOR  
as existing**



**ATTIC FLOOR  
as proposed**



Historic Building Specialists  
 Gilmore Hankey Kirke Limited ©  
 5 Port House, Square Rigger Row,  
 Plantation Wharf, London SW11 3TY  
 Tel: +44 (0)20 7471 8000  
 Email: mail@ghkarchitects.co.uk  
 Web: www.ghkarchitects.co.uk  
 Client

The Honourable Society of Gray's Inn  
 Project Name  
 Law School  
 3 - 4 South Square  
 Drawing  
 Attic Floor Plans  
 as Existing and Proposed  
 Scale  
 1:50 @A1 1:100@A3

Drawn by  
 ANM 23 Dec 2019  
 Checked by  
 RJY 23 Dec 2019  
 Project No. Drawing No Revision