

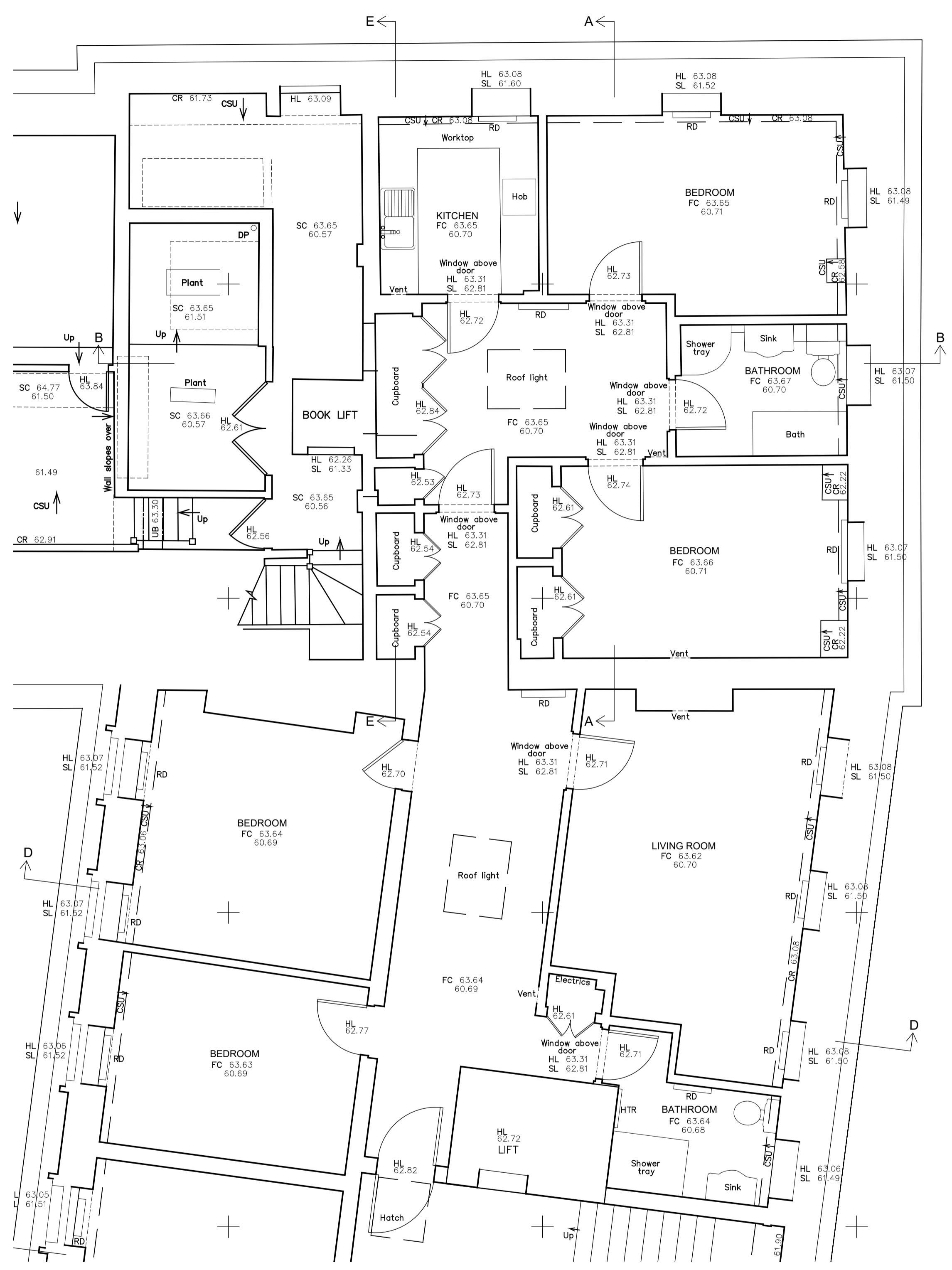
THIS DRAWING MUST BE READ IN CONJUNCTION WITH OTHER ARCHITECTS, CONSULTANTS, SUB-CONTRACTORS AND SPECIALIST DRAWINGS.

ALL DIMENSIONS ARE IN MILLIMETRES UNLESS STATED OTHERWISE.

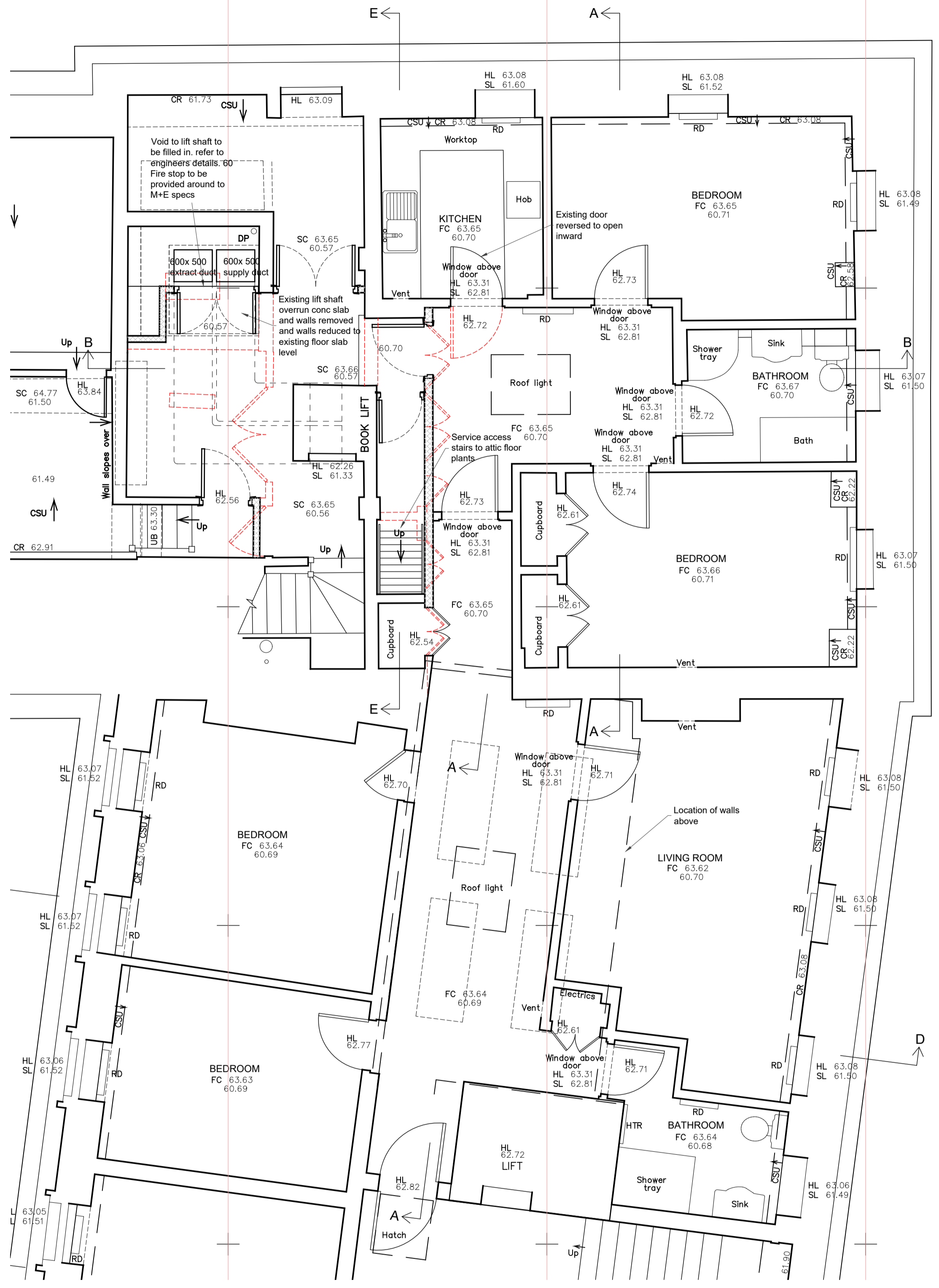
ALL DIMENSIONS ARE TO BE VERIFIED ON SITE AND CONFIRMED BY THE CONTRACTOR, BEFORE COMMENCEMENT OF CONSTRUCTION.

IF THIS DRAWING EXCEEDS THE QUANTITIES TAKEN, IN ANY WAY, THE ARCHITECTS ARE TO BE INFORMED BEFORE THE WORK IS PUT IN HAND.

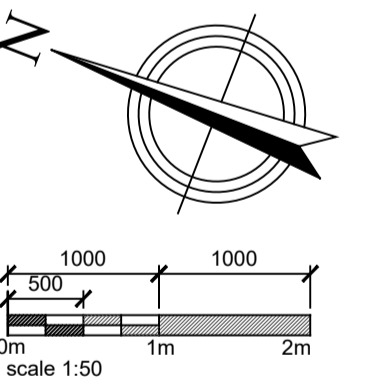
Rev	Date	Revision	By	Chk
E	17 01 20	ISSUED FOR TENDER	AM	***
F	13 03 20	Third floor added existing and proposed	AM	***
- Sheet layout revised				



THIRD FLOOR
as existing



THIRD FLOOR
as proposed



Historic Building Specialists
 Gilmore Hankey Kirke Limited ©
 5 Port House, Square Rigger Row,
 Plantation Wharf, London SW11 3TY
 Tel: +44 (0)20 7471 8000
 Email: mail@ghkarchitects.co.uk
 Web: www.ghkarchitects.co.uk
 Client

The Honourable Society of Gray's Inn
 Project Name
 Law School
 3 - 4 South Square
 Drawing
 Third Floor Plans
 as Existing and Proposed
 Scale 1:50 @A1 1:100@A3

Drawn by ANM 23 Dec 2019
 Checked by RJY 23 Dec 2019
 Project No. Drawing No. Revision