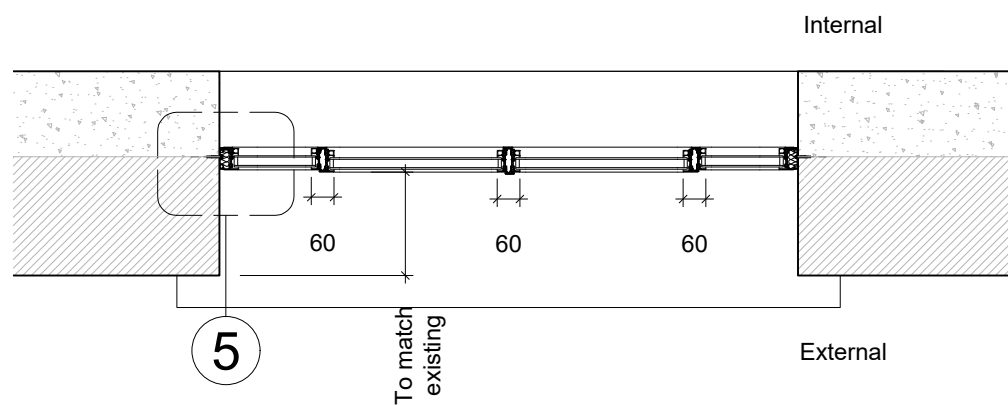
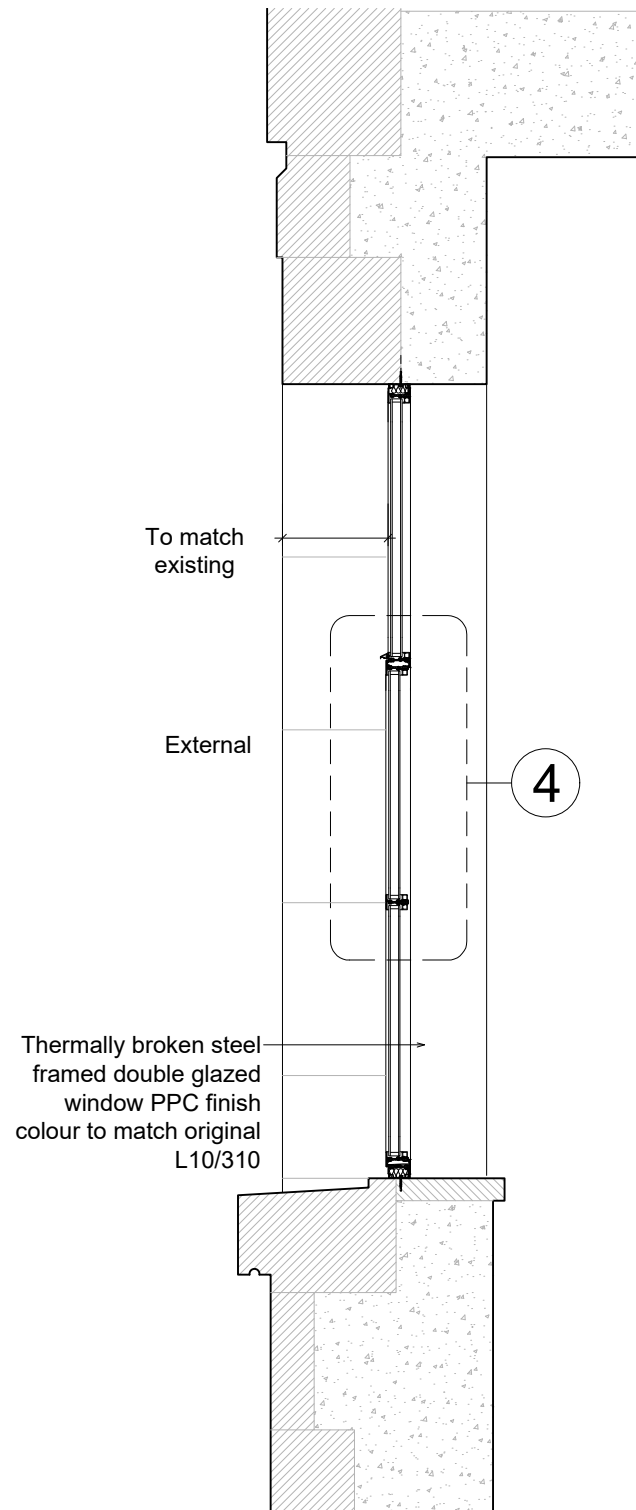


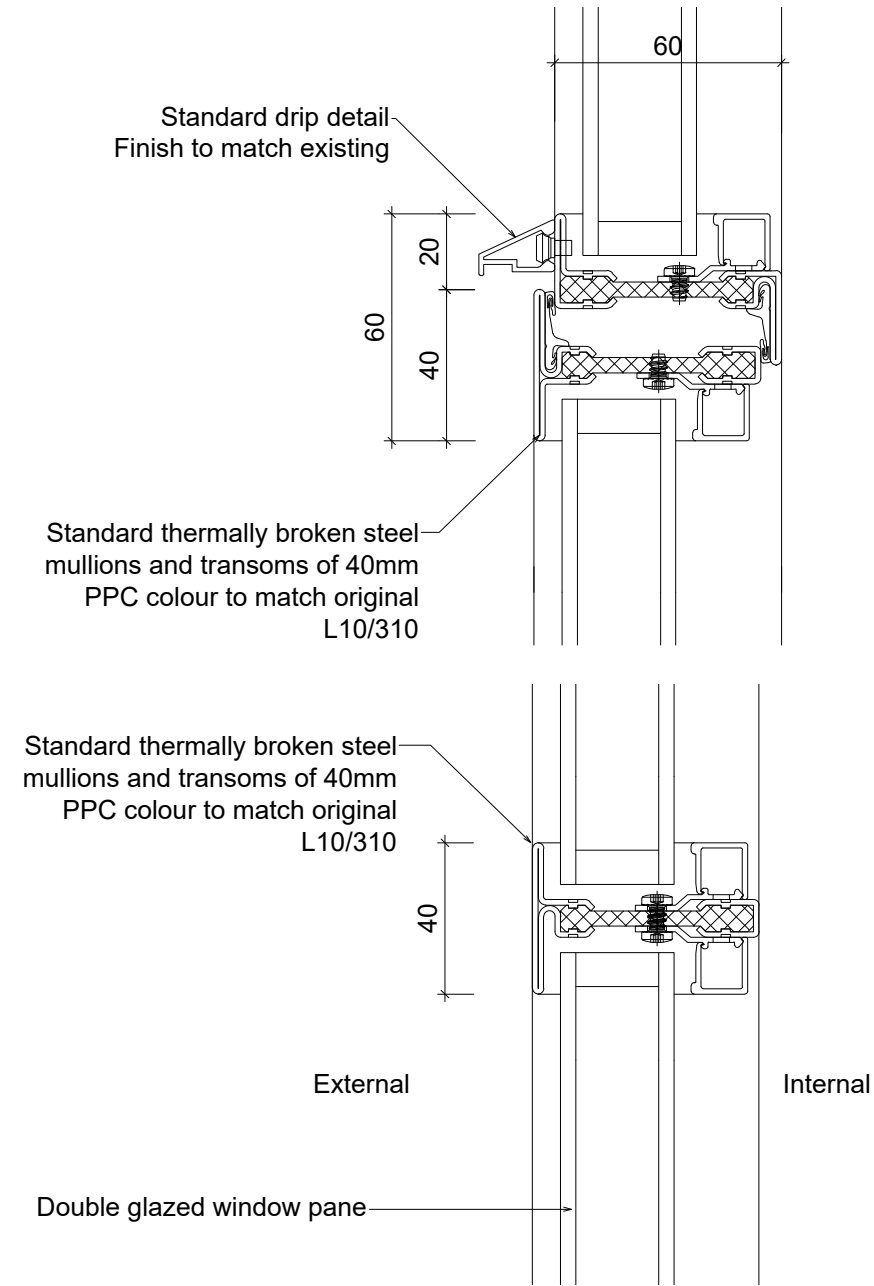
1. WINDOW TYPE 4 ELEVATION - 1:20@A3



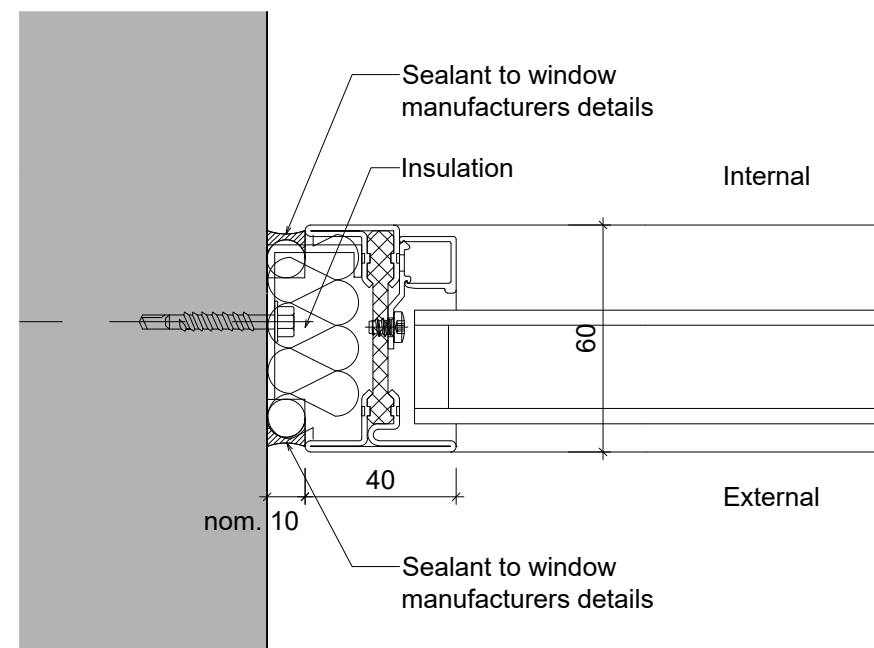
3. WINDOW TYPE 4 PLAN - 1:20@A3



2. WINDOW TYPE 4 SECTION - 1:20@A3



4. WINDOW TYPE 4 DETAIL - 1:2@A3



5. WINDOW TYPE 4 JAMB DETAIL - 1:2@A3

DRAWING NOTES

1. filename: window elevations.dwg
2. Do not scale from this drawing in either paper or digital form. Use figured dimensions only. Detailed site survey to be carried out to establish tolerances. Figured dimensions are in mm. All dimensions shall be verified on site before proceeding with the work. The architect shall be notified of any discrepancies.
3. This drawing has been produced for sole use on this project and is not intended for use by any other person or for any other purpose. © Copyright RSS (U.K.)
4. All printed copies should be made at 100% of the original L10/310 page size. Use scale bars, where included, to check that the drawing has been printed to the intended scale as identified in the drawing title block.
5. This drawing is not intended for construction unless specifically described as such.

REVISIONS

REV	DATE	STATUS
T01	29/03/21	Issued for tender

Changes since last issue:
Dimensions and spec clause added

rivingtonstreetstudio

28 NAVIGATION ROAD LONDON E3 3TG

T : 020 7739 8945
E : rss@rssa.co.uk

www.rivingtonstreetstudio.co.uk

job title LSHTM Keppel Street Building
Window Replacement

drawing title Window Type 4
Elevation and details

scale 1:20@A3 / 1:2@A3

drawn by	job no.	suitability	revision
DH	RSS919	D2	T01

PROJECT	ORIGIN	VOLUME	LEVEL	TYPE	ROLE	NUMBER
KSWR_	RSS_	00	ZZ	DR	A	2804