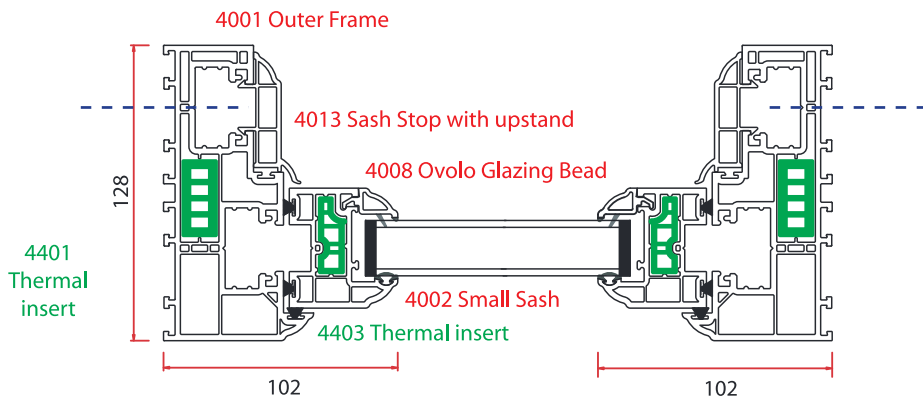
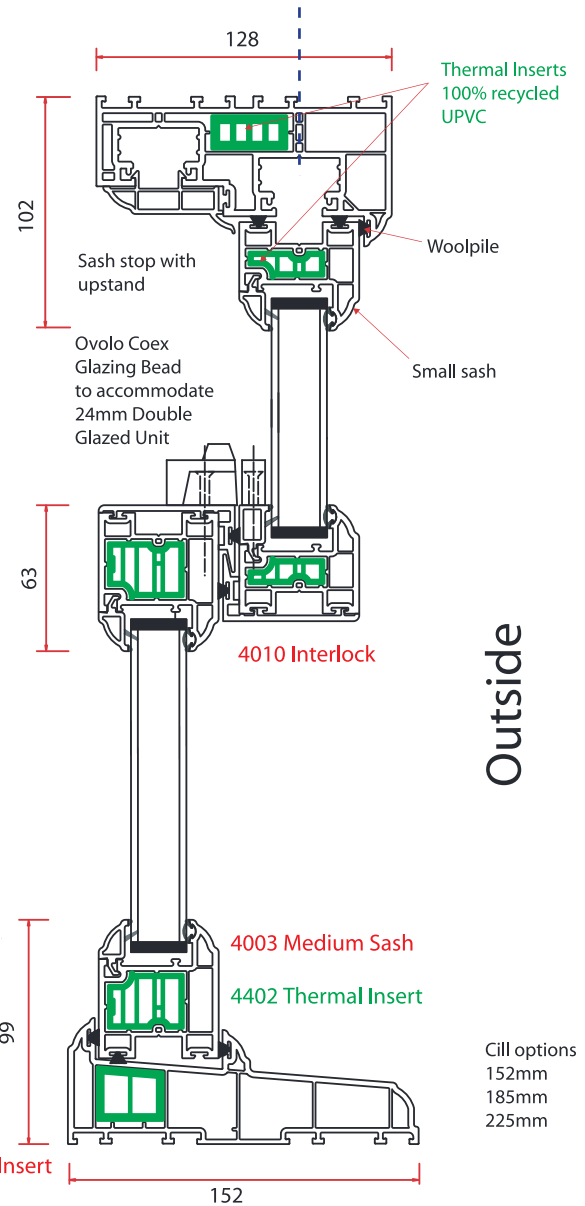


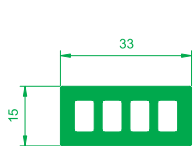
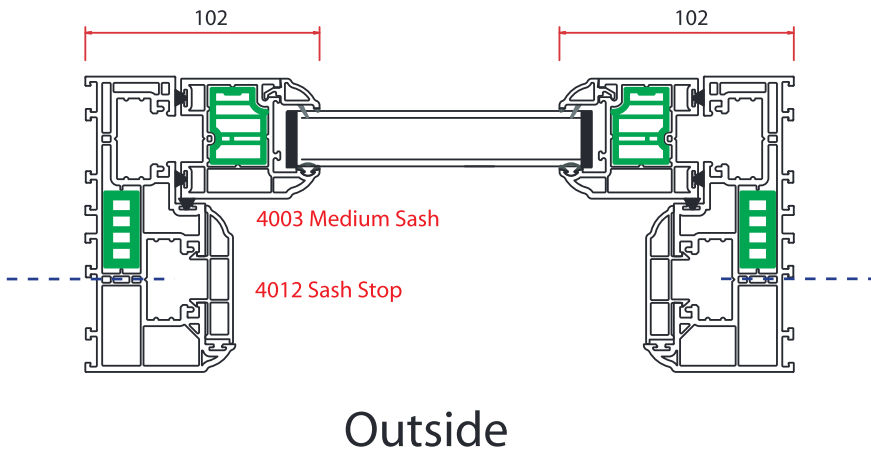
Horizontal section through top sash



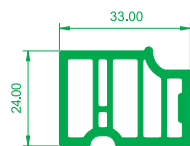
Vertical section through sash



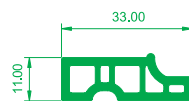
Horizontal section through bottom sash



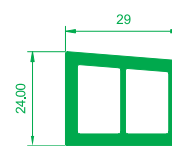
4401
Thermal Insert
For 4001 Outer Frame



4402
Thermal Insert
For 4003 Medium Sash



4403
Thermal Insert
For 4002 Small Sash



4405
Thermal Insert
For 4005, 4006, 4407 cill