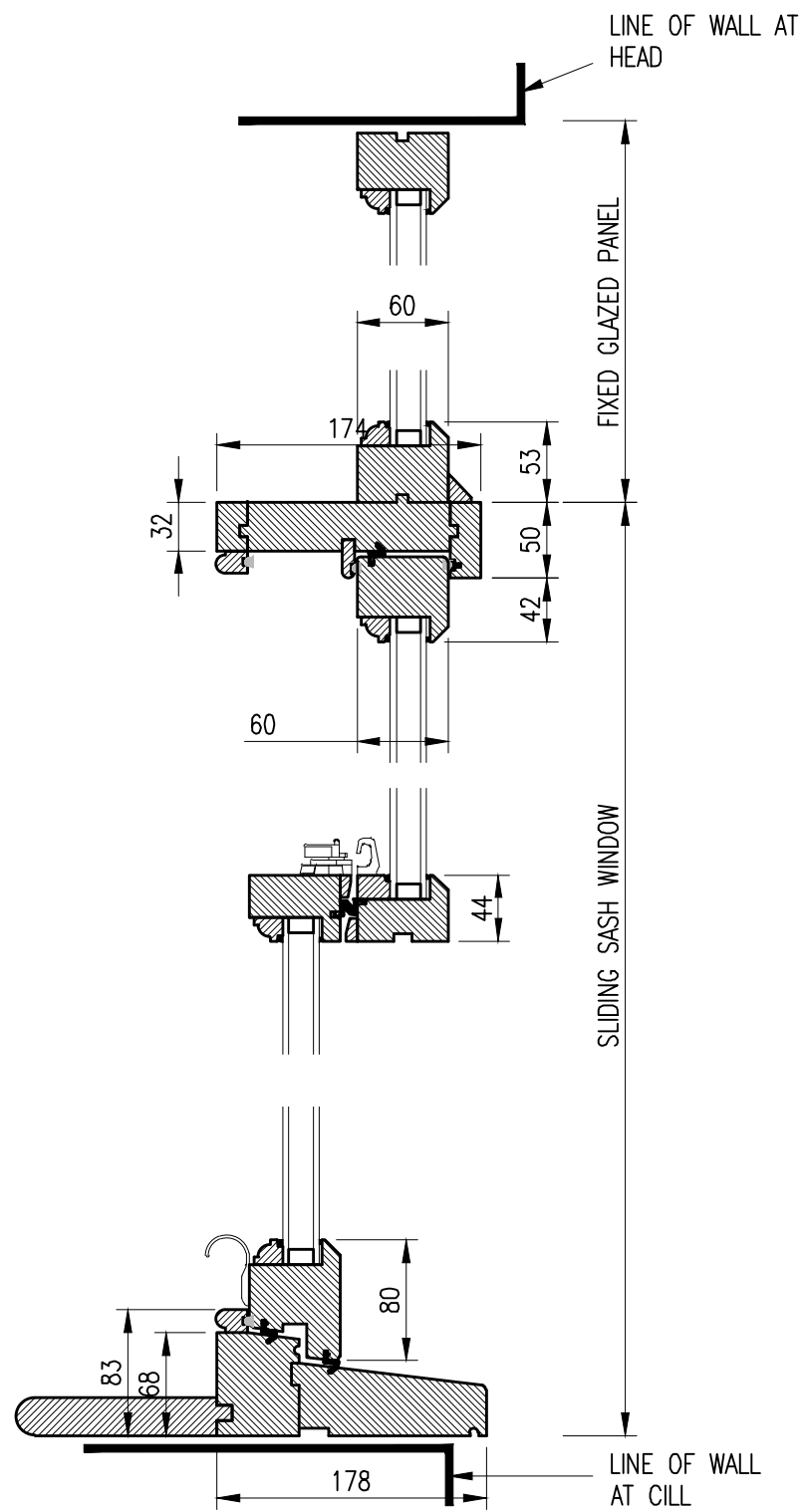
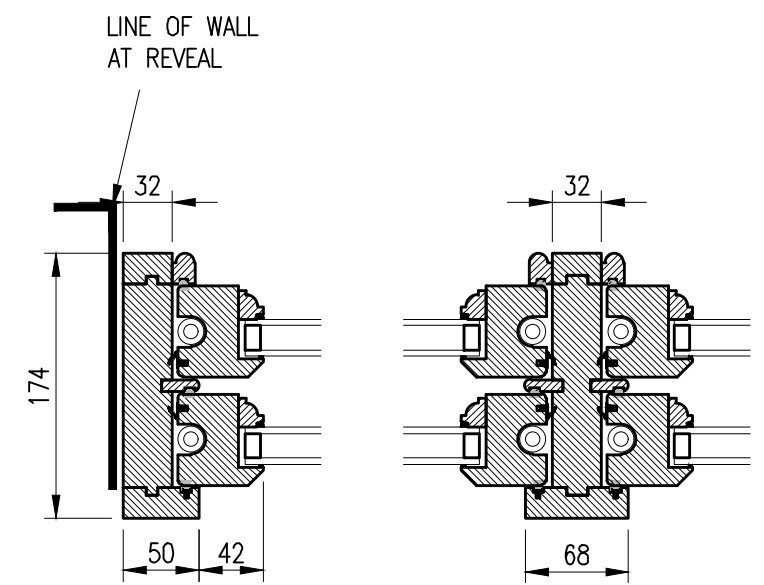


SIDE SECTION THROUGH DOOR
SCALE 1:5

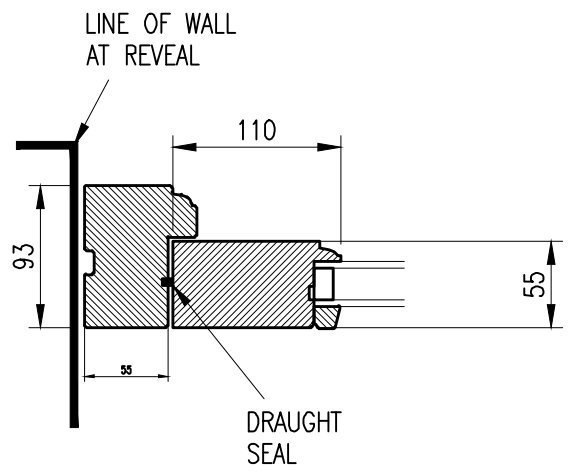


SIDE SECTION THROUGH SLIDING SASH WINDOW
SCALE 1:5

SOFTWOOD TIMBER WINDOWS & DOORS, DOUBLE GLAZED
20mm AIR GAP



PLAN SECTION THROUGH SLIDING SASH WINDOW
SCALE 1:5



PLAN SECTION THROUGH DOOR
SCALE 1:5

Revisions		
Rev	Detail	
By	Chk	Date
Client		
Mr A. LALANI		
Project		
146 REGENT'S PARK RD PRIMROSE HILL LONDON NW1 8XN		
Drawing Title		
TYPICAL DOOR AND WINDOW SECTIONS		
Drawing Status		
PLANNING		
Project No.	Discipline	Drawing No.
WE02607	S	206
Scale	Date	Revision
1:5	SEP 16	-
Drawn	Checked	Sheet Size
RN		A3

© This drawing may not be copied without prior written permission