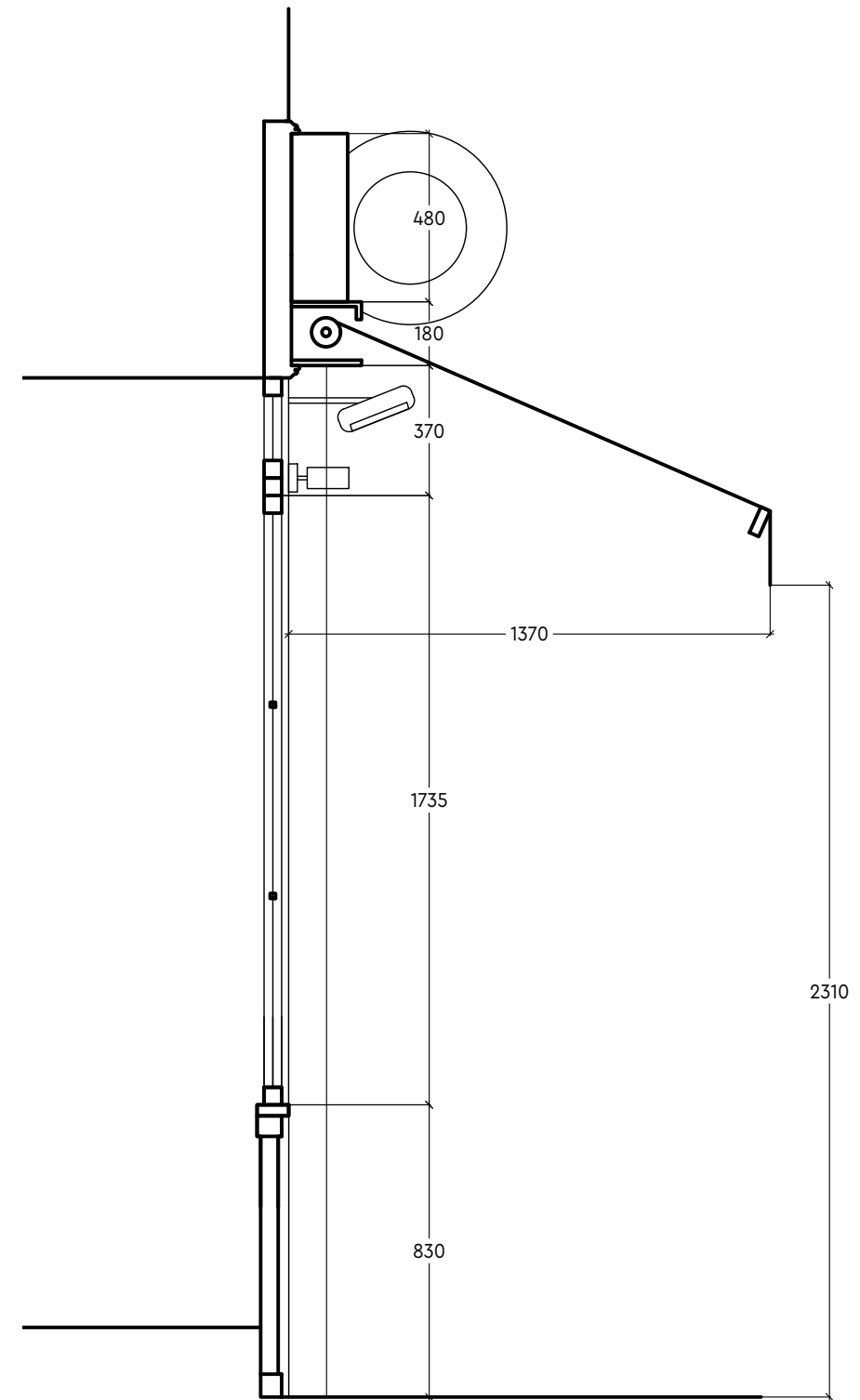


Existing section A-A M 1:20



Existing section B-B M 1:20