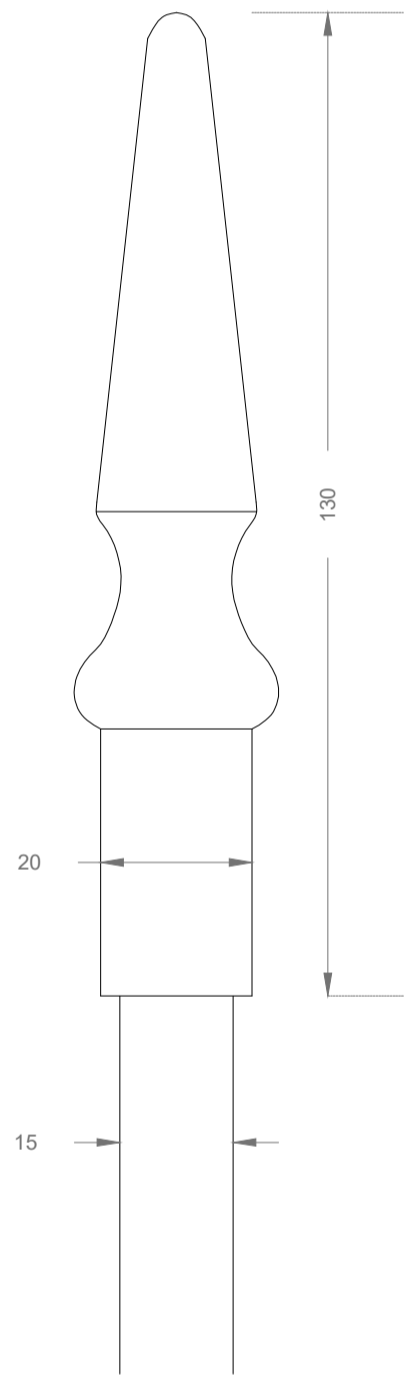
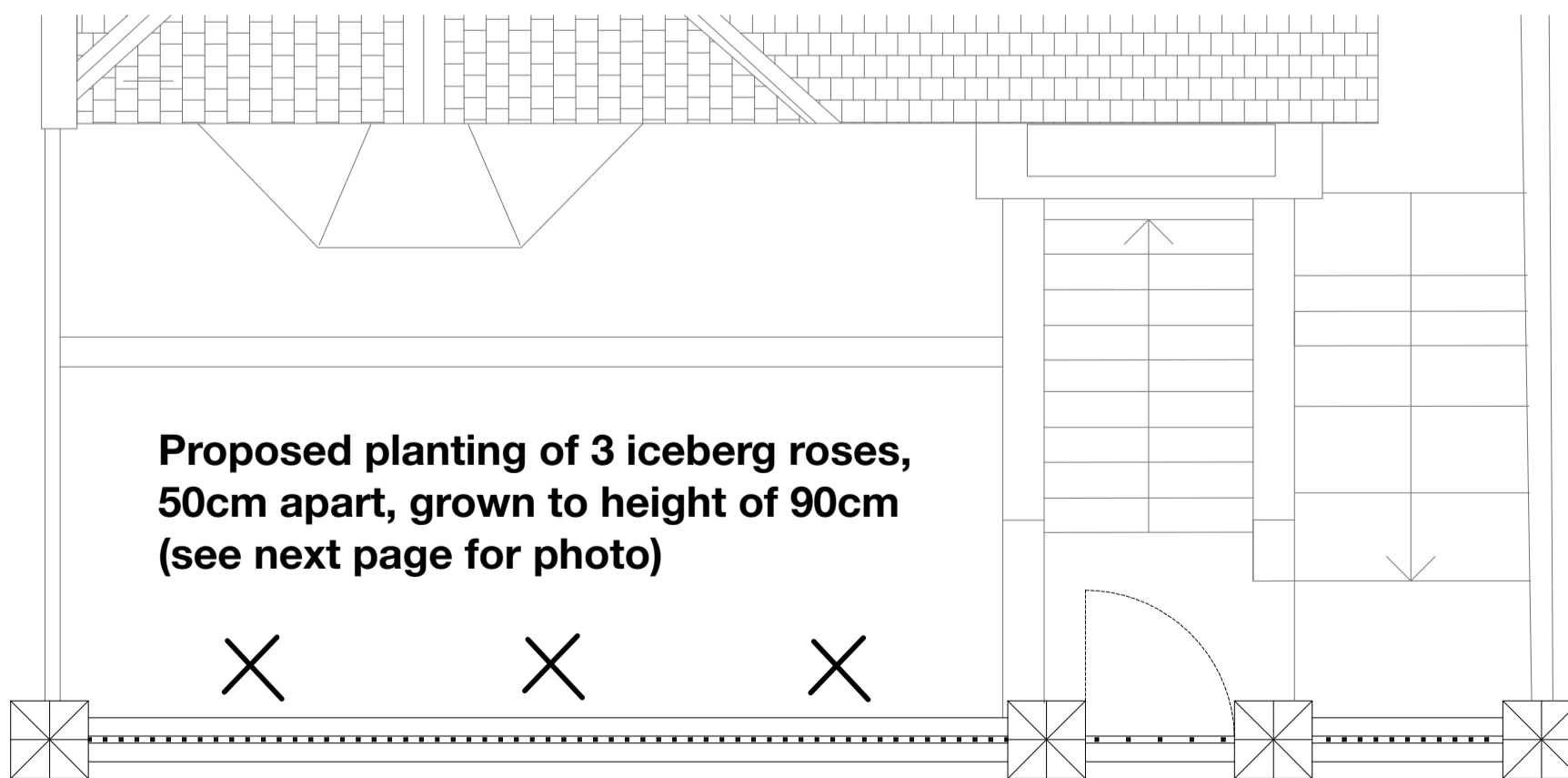




1 - Proposed - Front Elevation
Scale 1:50

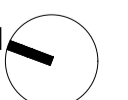


3 - Proposed - Railhead
Scale 1:1



2 - Proposed - Front garden Plan
Scale 1:50

**Proposed planting of 3 iceberg roses,
50cm apart, grown to height of 90cm
(see next page for photo)**





Example of iceberg rose hedge

Note: recommended planting spacing is 3-4 feet apart

<https://www.davidaustinroses.co.uk/blogs/news/how-far-apart-should-rose-shrubs-be-planted>