

**Client:** St George City Limited

**Job Title:** Camden Goods Yard - Panels to Brick walls

**Job No:** JQ211341

**Drawn By:** Darren/Dom

**File name:** JQ211341 Camden Goods Yard - Panels to Brick walls-V3

**Date:** 26th October 2023

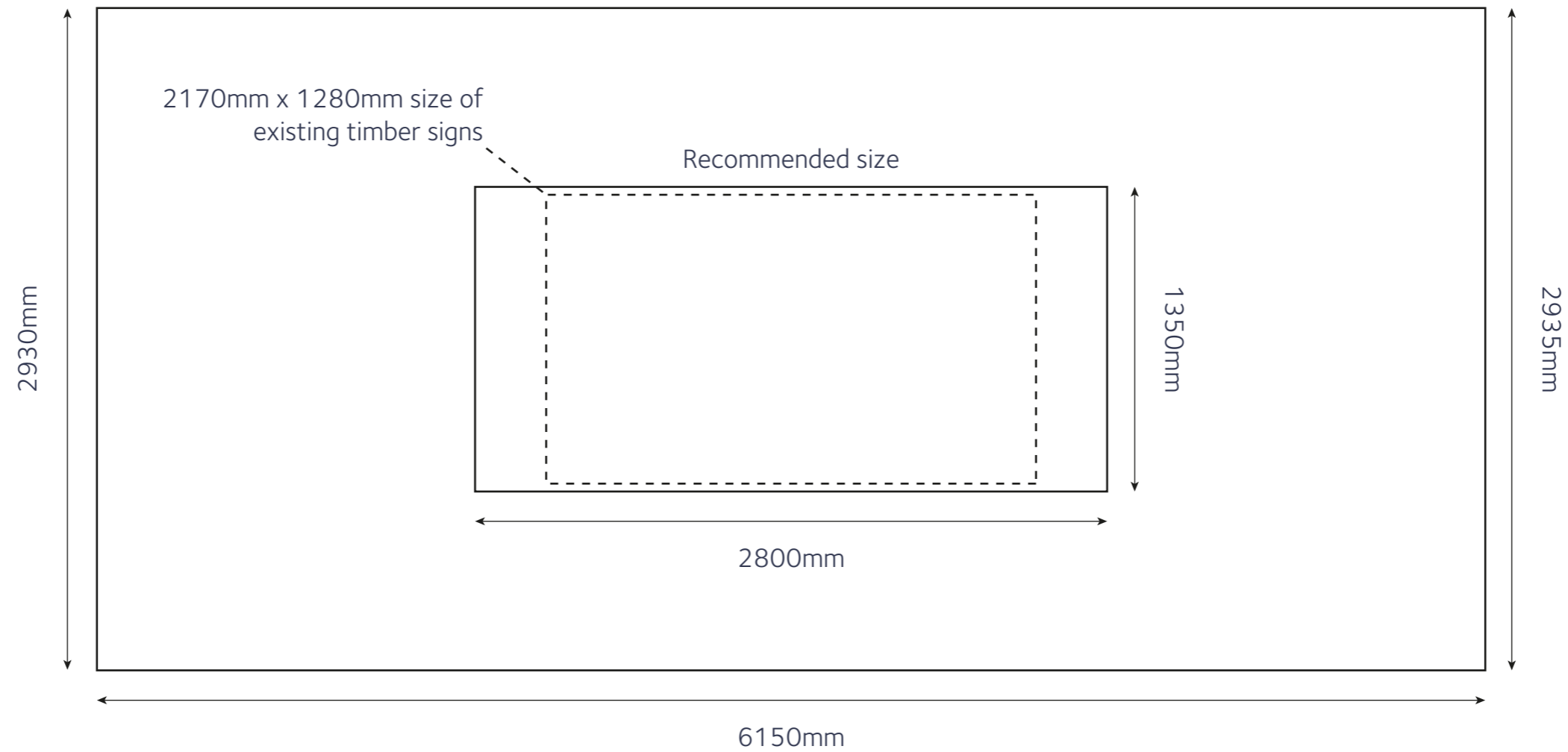
<input type="radio"/> Mezz	<input type="radio"/> Installs	<input type="radio"/> Monday
<input type="radio"/> Kongs	<input type="radio"/> Overnight	<input type="radio"/> Tuesday
<input type="radio"/> Workshop	<input type="radio"/> Sameday	<input type="radio"/> Wednesday
<input type="radio"/> Finishing	<input type="radio"/> Octink	<input type="radio"/> Thursday
<input type="radio"/> Painting	<input type="radio"/> Collection	<input type="radio"/> Friday
<input type="radio"/> Other	<input type="radio"/> Post	<input type="radio"/> Weekend



All structures are constructed to high standards and in accordance with good industry practice. In signing this artwork off as 'approved', the buyer acknowledges that the structures will be manufactured and erected in accordance with the specification and to standards outlined on this drawing. The buyer also acknowledges that (unless specifically stated) the structures are not intended to be permanent and that the agreed specification and standards do not accord with applicable standards published by the British Standards Institution.

**Wall A**

TRAY SIGN  
 Print applied to folded ACM tray on a treated timber frame  
 Size: 2800 x 1350mm x 50mm  
 To be installed to Horse Hospital walls using screws and plugs in mortar joints only to secure the treated timber framework



**Client:** St George City Limited  
**Job Title:** Camden Goods Yard - Panels to Brick walls  
**Job No:** JQ211341  
**Drawn By:** Darren/Dom  
**File name:** JQ211341 Camden Goods Yard - Panels to Brick walls-V3  
**Date:** 26th October 2023

**Size:** See Notes  
**Qty:** 1 no.  
**Bleed:** T.B.C.  
**Machine:** Epson  
**Material:** RiJet 75 Gloss White Vinyl/3mm ACM  
**Seal:** Rijet 75 Printable Gloss Laminate

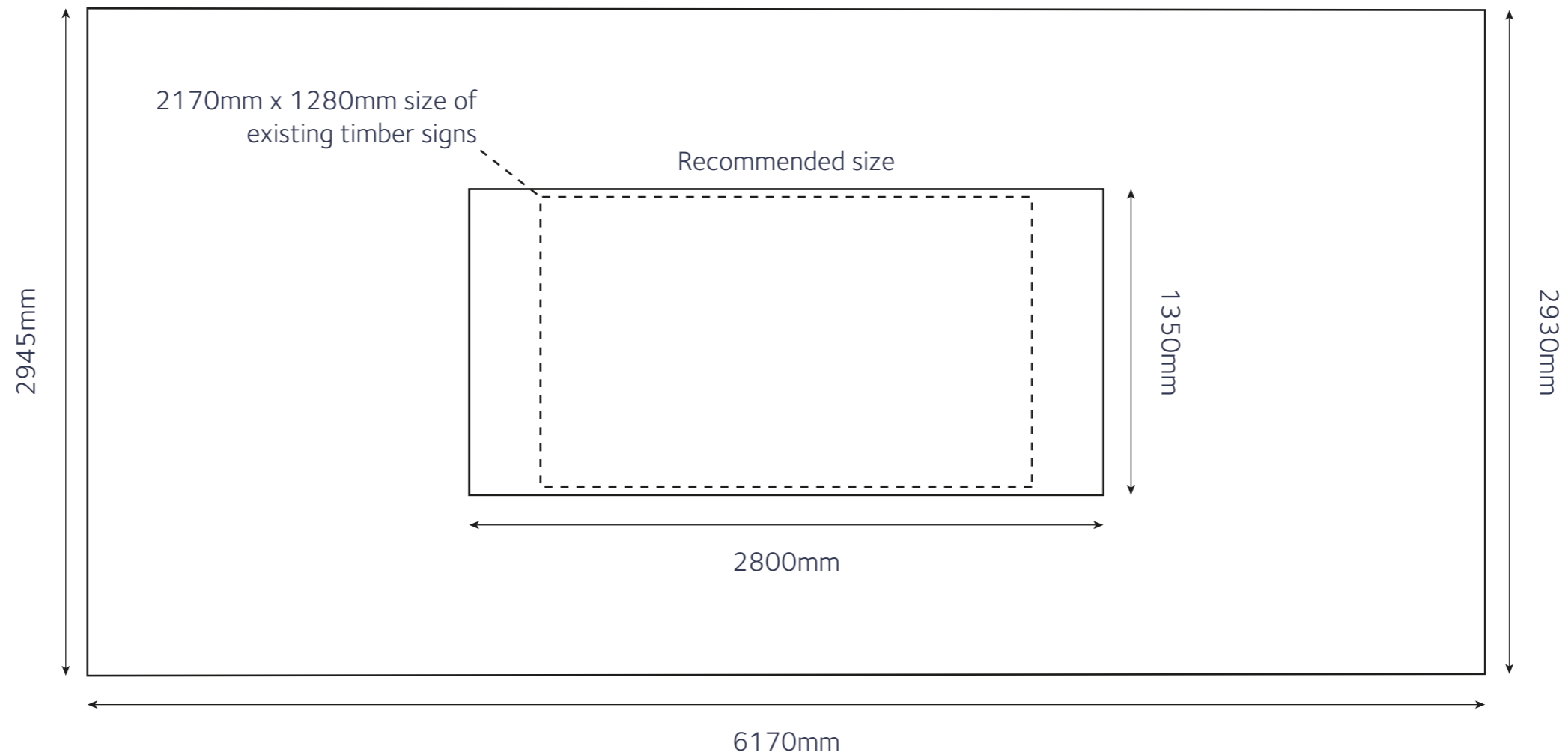
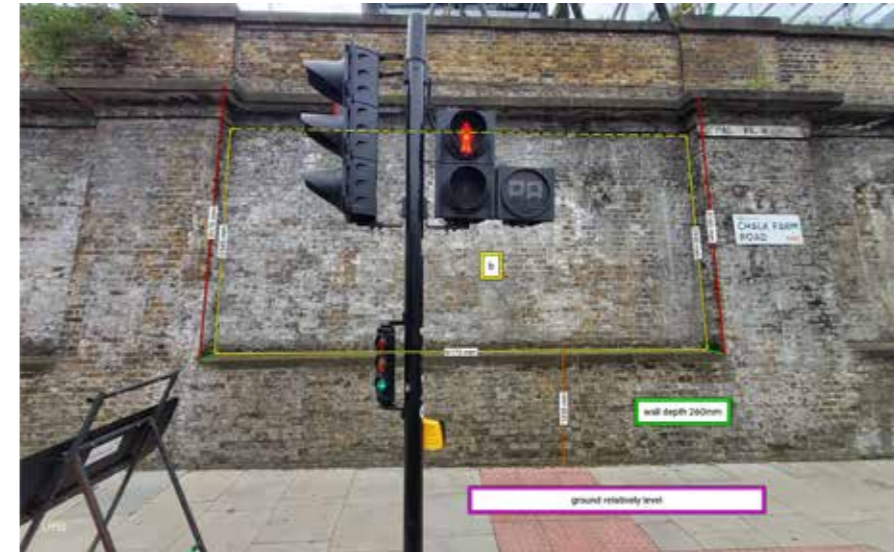
<input type="radio"/> Mezz	<input type="radio"/> Installs	<input type="radio"/> Monday
<input type="radio"/> Kongs	<input type="radio"/> Overnight	<input type="radio"/> Tuesday
<input type="radio"/> Workshop	<input type="radio"/> Sameday	<input type="radio"/> Wednesday
<input type="radio"/> Finishing	<input type="radio"/> Octink	<input type="radio"/> Thursday
<input type="radio"/> Painting	<input type="radio"/> Collection	<input type="radio"/> Friday
<input type="radio"/> Other	<input type="radio"/> Post	<input type="radio"/> Weekend



All structures are constructed to high standards and in accordance with good industry practice. In signing this artwork off as 'approved', the buyer acknowledges that the structures will be manufactured and erected in accordance with the specification and to standards outlined on this drawing. The buyer also acknowledges that (unless specifically stated) the structures are not intended to be permanent and that the agreed specification and standards do not accord with applicable standards published by the British Standards Institution.

**Wall B**

TRAY SIGN  
 Print applied to folded ACM tray on a treated timber frame  
 Size: 2800 x 1350mm x 50mm  
 To be installed to Horse Hospital walls using screws and plugs in mortar joints only to secure the treated timber framework



**Client:** St George City Limited  
**Job Title:** Camden Goods Yard - Panels to Brick walls  
**Job No:** JQ211341  
**Drawn By:** Darren/Dom  
**File name:** JQ211341 Camden Goods Yard - Panels to Brick walls-V3  
**Date:** 26th October 2023

**Size:** See Notes  
**Qty:** 1 no.  
**Bleed:** T.B.C.  
**Machine:** Epson  
**Material:** RiJet 75 Gloss White Vinyl/3mm ACM  
**Seal:** Rijet 75 Printable Gloss Laminate

<input type="radio"/> Mezz	<input type="radio"/> Installs	<input type="radio"/> Monday
<input type="radio"/> Kongs	<input type="radio"/> Overnight	<input type="radio"/> Tuesday
<input type="radio"/> Workshop	<input type="radio"/> Sameday	<input type="radio"/> Wednesday
<input type="radio"/> Finishing	<input type="radio"/> Octink	<input type="radio"/> Thursday
<input type="radio"/> Painting	<input type="radio"/> Collection	<input type="radio"/> Friday
<input type="radio"/> Other	<input type="radio"/> Post	<input type="radio"/> Weekend



All structures are constructed to high standards and in accordance with good industry practice. In signing this artwork off as 'approved', the buyer acknowledges that the structures will be manufactured and erected in accordance with the specification and to standards outlined on this drawing. The buyer also acknowledges that (unless specifically stated) the structures are not intended to be permanent and that the agreed specification and standards do not accord with applicable standards published by the British Standards Institution.

## Wall C

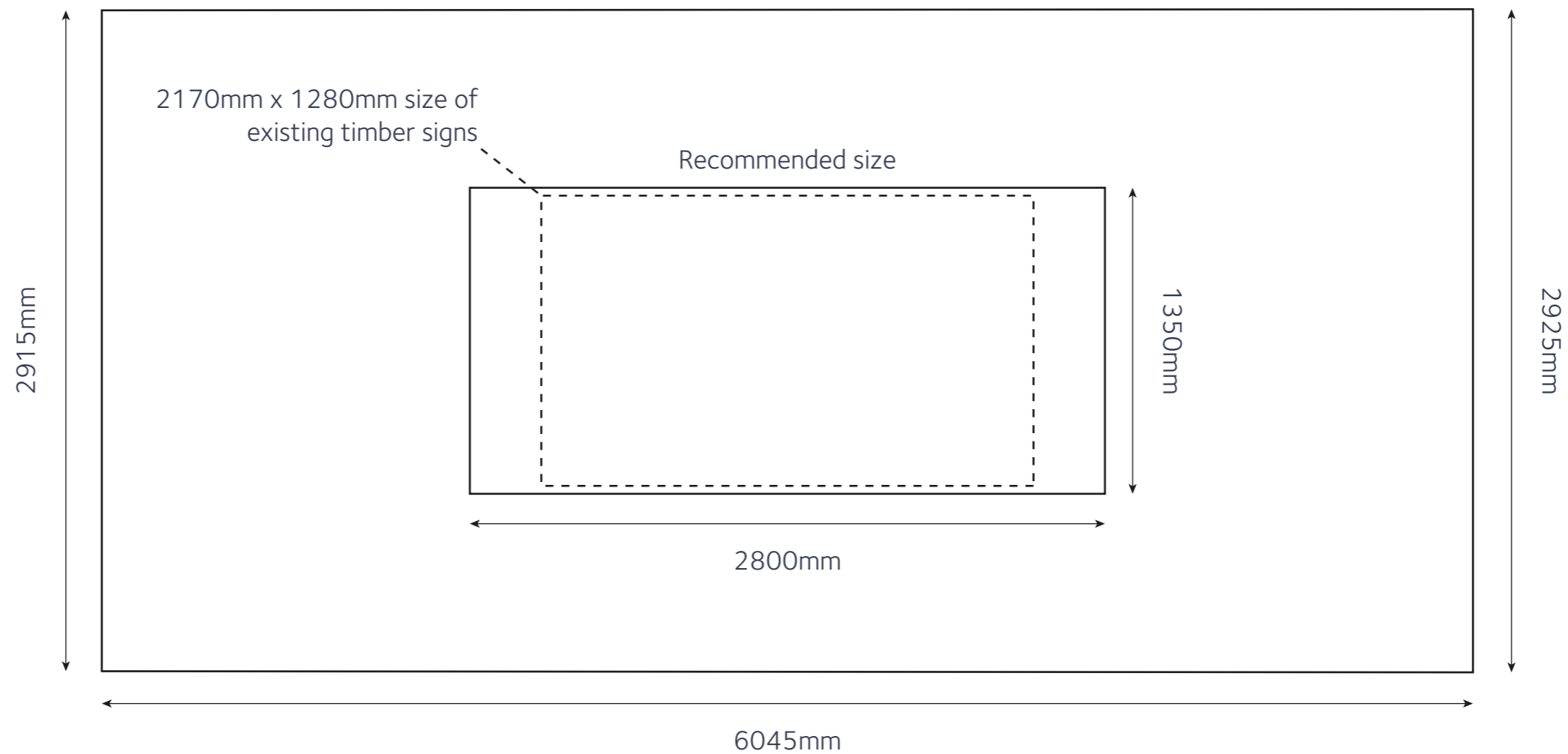
### TRAY SIGN

Print applied to folded ACM tray on a treated timber frame

Size: 2800 x 1350mm x 50mm

To be installed to Horse Hospital walls using screws and plugs in mortar joints

only to secure the treated timber framework



<b>Client:</b>	St George City Limited
<b>Job Title:</b>	Camden Goods Yard - Panels to Brick walls
<b>Job No:</b>	JQ211341
<b>Drawn By:</b>	Darren/Dom
<b>File name:</b>	JQ211341 Camden Goods Yard - Panels to Brick walls-V3
<b>Date:</b>	26th October 2023

<b>Size:</b>	See Notes
<b>Qty:</b>	1 no.
<b>Bleed:</b>	T.B.C.
<b>Machine:</b>	Epson
<b>Material:</b>	RiJet 75 Gloss White Vinyl/3mm ACM
<b>Seal:</b>	Rijet 75 Printable Gloss Laminate

<input type="radio"/> Mezz	<input type="radio"/> Installs	<input type="radio"/> Monday
<input type="radio"/> Kongs	<input type="radio"/> Overnight	<input type="radio"/> Tuesday
<input type="radio"/> Workshop	<input type="radio"/> Sameday	<input type="radio"/> Wednesday
<input type="radio"/> Finishing	<input type="radio"/> Octink	<input type="radio"/> Thursday
<input type="radio"/> Painting	<input type="radio"/> Collection	<input type="radio"/> Friday
<input type="radio"/> Other	<input type="radio"/> Post	<input type="radio"/> Weekend

# octink

All structures are constructed to high standards and in accordance with good industry practice. In signing this artwork off as 'approved', the buyer acknowledges that the structures will be manufactured and erected in accordance with the specification and to standards outlined on this drawing. The buyer also acknowledges that (unless specifically stated) the structures are not intended to be permanent and that the agreed specification and standards do not accord with applicable standards published by the British Standards Institution.

## Wall D

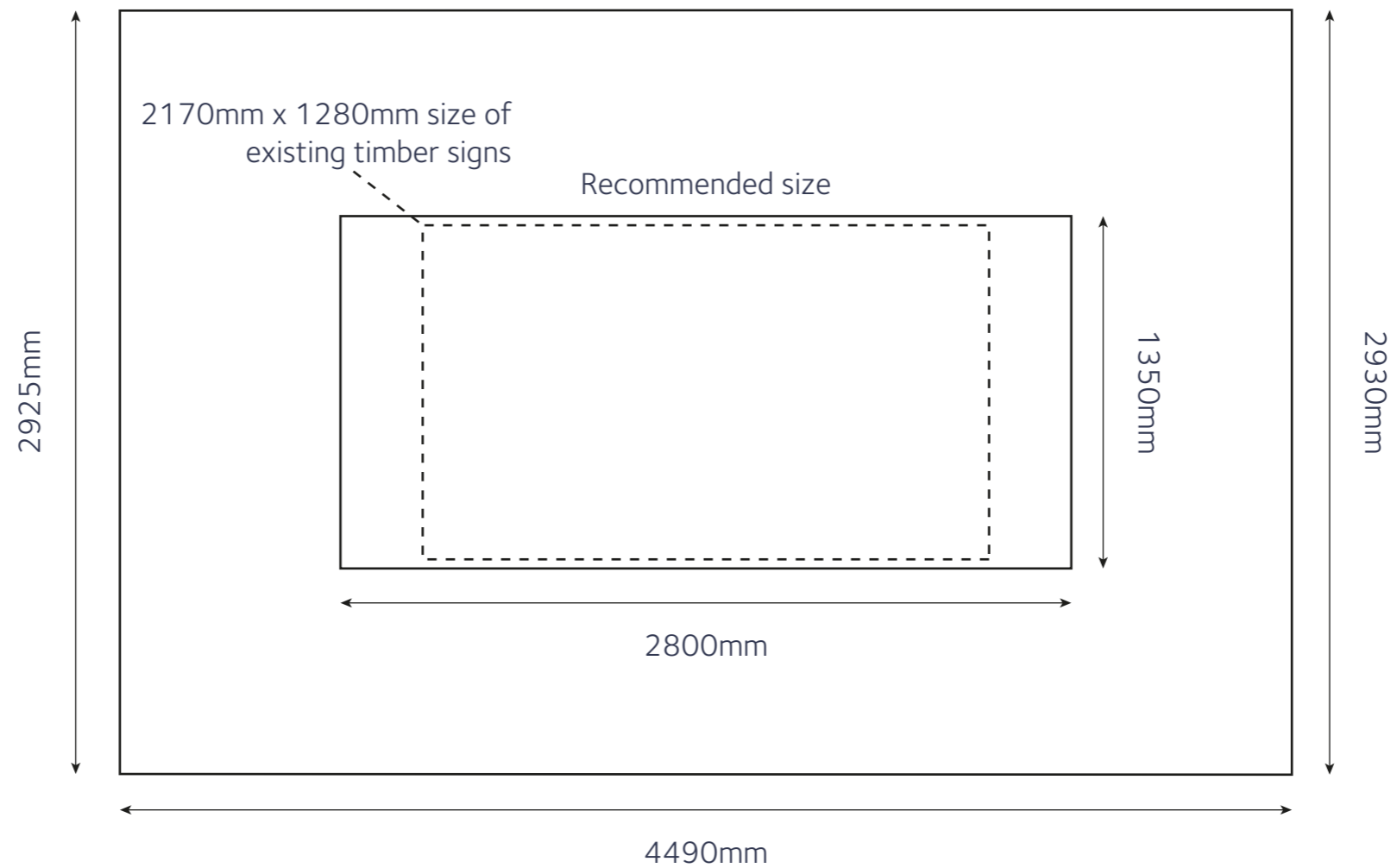
### TRAY SIGN

Print applied to folded ACM tray on a treated timber frame

Size: 2800 x 1350mm x 50mm

To be installed to Horse Hospital walls using screws and plugs in mortar joints

only to secure the treated timber framework



<b>Client:</b>	St George City Limited
<b>Job Title:</b>	Camden Goods Yard - Panels to Brick walls
<b>Job No:</b>	JQ211341
<b>Drawn By:</b>	Darren/Dom
<b>File name:</b>	JQ211341 Camden Goods Yard - Panels to Brick walls-V3
<b>Date:</b>	26th October 2023

<b>Size:</b>	See Notes
<b>Qty:</b>	1 no.
<b>Bleed:</b>	T.B.C.
<b>Machine:</b>	Epson
<b>Material:</b>	RiJet 75 Gloss White Vinyl/3mm ACM
<b>Seal:</b>	Rijet 75 Printable Gloss Laminate

<input type="radio"/> Mezz	<input type="radio"/> Installs	<input type="radio"/> Monday
<input type="radio"/> Kongs	<input type="radio"/> Overnight	<input type="radio"/> Tuesday
<input type="radio"/> Workshop	<input type="radio"/> Sameday	<input type="radio"/> Wednesday
<input type="radio"/> Finishing	<input type="radio"/> Octink	<input type="radio"/> Thursday
<input type="radio"/> Painting	<input type="radio"/> Collection	<input type="radio"/> Friday
<input type="radio"/> Other	<input type="radio"/> Post	<input type="radio"/> Weekend

# octink

All structures are constructed to high standards and in accordance with good industry practice. In signing this artwork off as 'approved', the buyer acknowledges that the structures will be manufactured and erected in accordance with the specification and to standards outlined on this drawing. The buyer also acknowledges that (unless specifically stated) the structures are not intended to be permanent and that the agreed specification and standards do not accord with applicable standards published by the British Standards Institution.

## Wall E

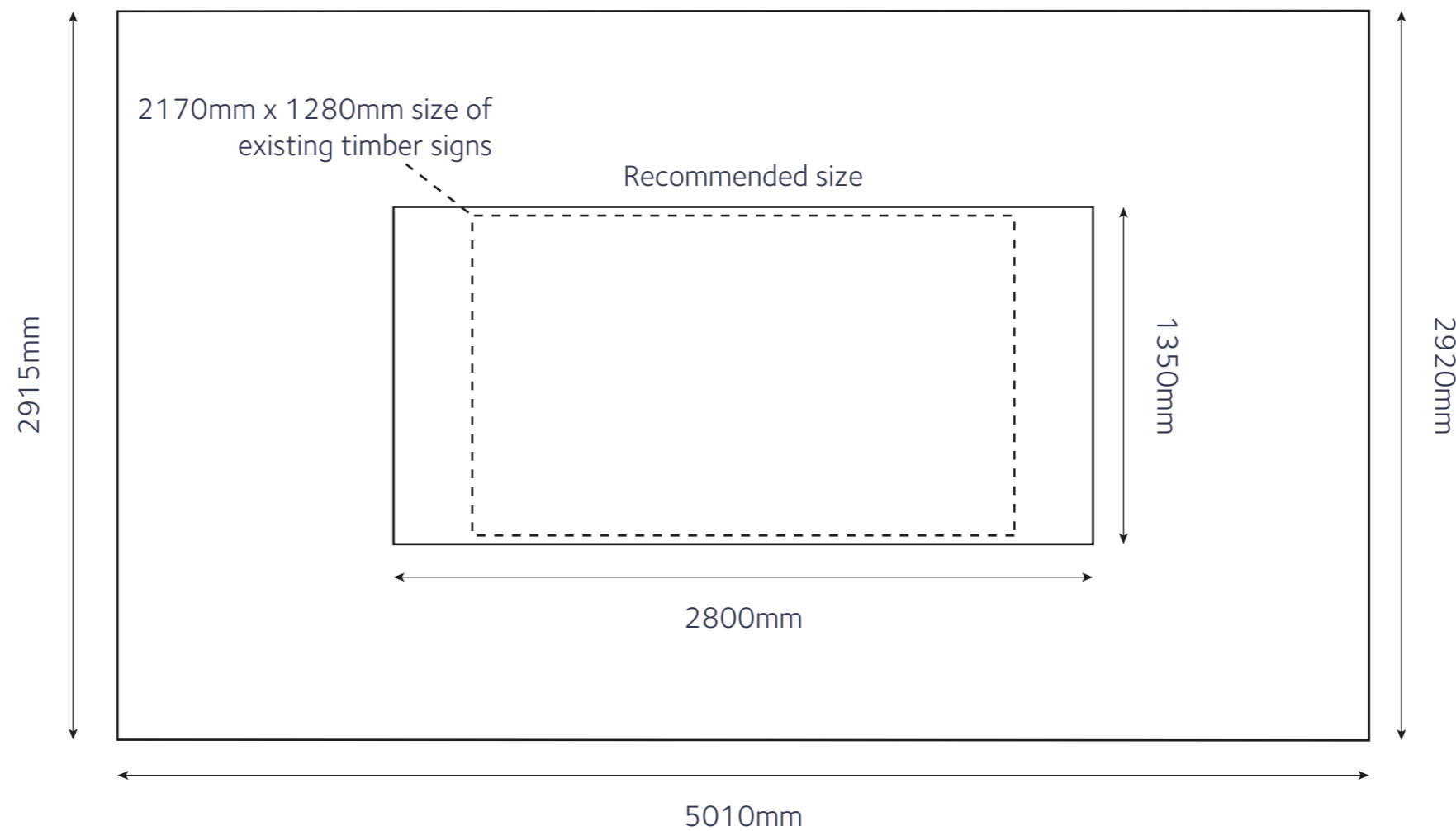
### TRAY SIGN

Print applied to folded ACM tray on a treated timber frame

Size: 2800 x 1350mm x 50mm

To be installed to Horse Hospital walls using screws and plugs in mortar joints

only to secure the treated timber framework



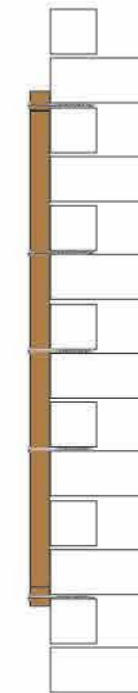
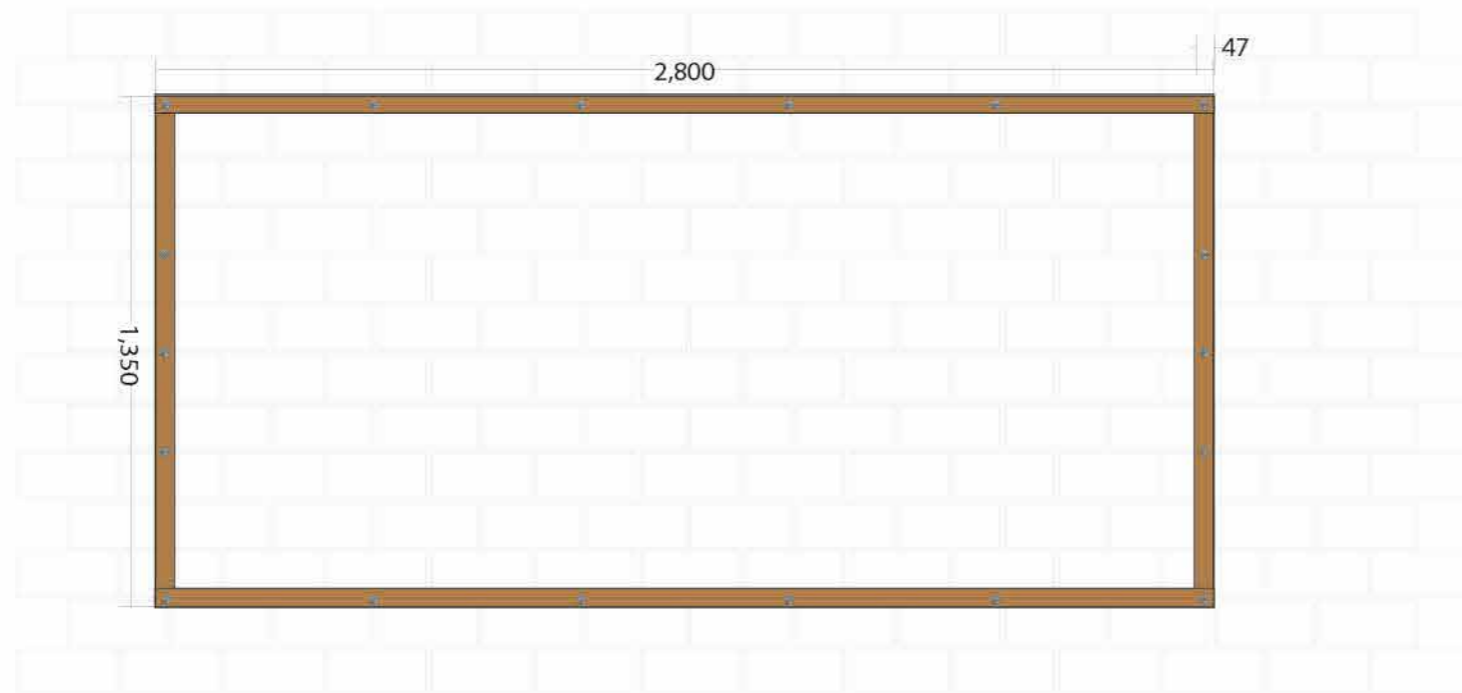
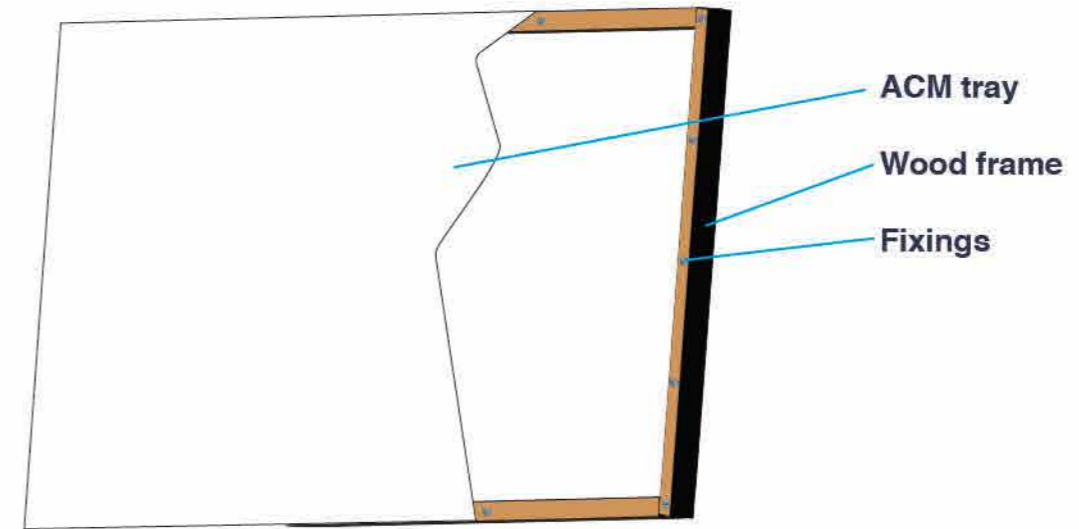
<b>Client:</b>	St George City Limited
<b>Job Title:</b>	Camden Goods Yard - Panels to Brick walls
<b>Job No:</b>	JQ211341
<b>Drawn By:</b>	Darren/Dom
<b>File name:</b>	JQ211341 Camden Goods Yard - Panels to Brick walls-V3
<b>Date:</b>	26th October 2023

<b>Size:</b>	See Notes
<b>Qty:</b>	1 no.
<b>Bleed:</b>	T.B.C.
<b>Machine:</b>	Epson
<b>Material:</b>	RiJet 75 Gloss White Vinyl/3mm ACM
<b>Seal:</b>	Rijet 75 Printable Gloss Laminate

<input type="radio"/> Mezz	<input type="radio"/> Installs	<input type="radio"/> Monday
<input type="radio"/> Kongs	<input type="radio"/> Overnight	<input type="radio"/> Tuesday
<input type="radio"/> Workshop	<input type="radio"/> Sameday	<input type="radio"/> Wednesday
<input type="radio"/> Finishing	<input type="radio"/> Octink	<input type="radio"/> Thursday
<input type="radio"/> Painting	<input type="radio"/> Collection	<input type="radio"/> Friday
<input type="radio"/> Other	<input type="radio"/> Post	<input type="radio"/> Weekend

# octink

All structures are constructed to high standards and in accordance with good industry practice. In signing this artwork off as 'approved', the buyer acknowledges that the structures will be manufactured and erected in accordance with the specification and to standards outlined on this drawing. The buyer also acknowledges that (unless specifically stated) the structures are not intended to be permanent and that the agreed specification and standards do not accord with applicable standards published by the British Standards Institution.



**Client:** St George City Limited  
**Job Title:** Camden Goods Yard - Panels to Brick walls  
**Job No:** JQ211341  
**Drawn By:** Darren/Dom  
**File name:** JQ211341 Camden Goods Yard - Panels to Brick walls-V3  
**Date:** 26th October 2023

**Size:** See Notes  
**Qty:** 1 no.  
**Bleed:** T.B.C.  
**Machine:** Epson  
**Material:** RiJet 75 Gloss White Vinyl/3mm ACM  
**Seal:** Rijet 75 Printable Gloss Laminate

<input type="radio"/> Mezz	<input type="radio"/> Installs	<input type="radio"/> Monday
<input type="radio"/> Kongs	<input type="radio"/> Overnight	<input type="radio"/> Tuesday
<input type="radio"/> Workshop	<input type="radio"/> Sameday	<input type="radio"/> Wednesday
<input type="radio"/> Finishing	<input type="radio"/> Octink	<input type="radio"/> Thursday
<input type="radio"/> Painting	<input type="radio"/> Collection	<input type="radio"/> Friday
<input type="radio"/> Other	<input type="radio"/> Post	<input type="radio"/> Weekend

# octink

All structures are constructed to high standards and in accordance with good industry practice. In signing this artwork off as 'approved', the buyer acknowledges that the structures will be manufactured and erected in accordance with the specification and to standards outlined on this drawing. The buyer also acknowledges that (unless specifically stated) the structures are not intended to be permanent and that the agreed specification and standards do not accord with applicable standards published by the British Standards Institution.