

Notes

Bailey Partnership is the trading name of Bailey Partnership (Consultants) LLP, a limited liability partnership registered in England and Wales No.- OC420278.

This drawing is copyright and owned by Bailey Partnership (Consultants) LLP, and is for use on this project and site only unless contractually stated otherwise.

All other design team elements, where indicated, have been imported from the consultant's drawings and reference should be made to the individual consultant's drawings for exact setting out, size and type of component.

Discrepancies and / or ambiguities within this drawing, between it and information given elsewhere, must be reported immediately to the architect for clarification before proceeding.

All works are to be carried out in accordance with the latest British Standards and Codes of Practice unless specifically directed otherwise in the specification.

Responsibility for the reproduction of this drawing in paper form, or if issued in electronic format, lies with the recipient to check that all information has been replicated in full and is correct when compared to the original paper or electronic image. Graphical representations of equipment on this drawing have been co-ordinated, but are approximations only. Please refer to the Specifications and / or details for actual sizes and / or specific contractor construction information.

Ordnance Survey Paper Map Copying License number: 40006119

This original document is issued for the purpose indicated below and contains information of confidential nature. Further copies and circulation will be strictly in accordance with the confidentiality agreement under the contract.

© Bailey Partnership (Consultants) LLP: This document is issued for the party which commissioned it and for specific purposes connected with the captioned project only. It should not be relied upon by any other party or used for any other proprietaries. We accept no responsibility for the consequences of this document being relied upon by any other party, or being used for any other purpose, or containing any error or omission which is due to an error or omission in data supplied to us by others.

SAFETY, HEALTH AND ENVIRONMENTAL INFORMATION

Refer to the relevant Construction (Design and Management) documentation where applicable.

It is assumed that all works on this drawing will be carried out by a competent contractor, working where appropriate to an approved method statement.

Rev	Description	By / Chk'd / App'd	Date
-	-	-	-
-	-	-	-
-	-	-	-
-	-	-	-



Client
University College London
School of Geography
NW Wing

Project
34008- UCL SLASH Works
Room 110A Computer Lab Refurbishment

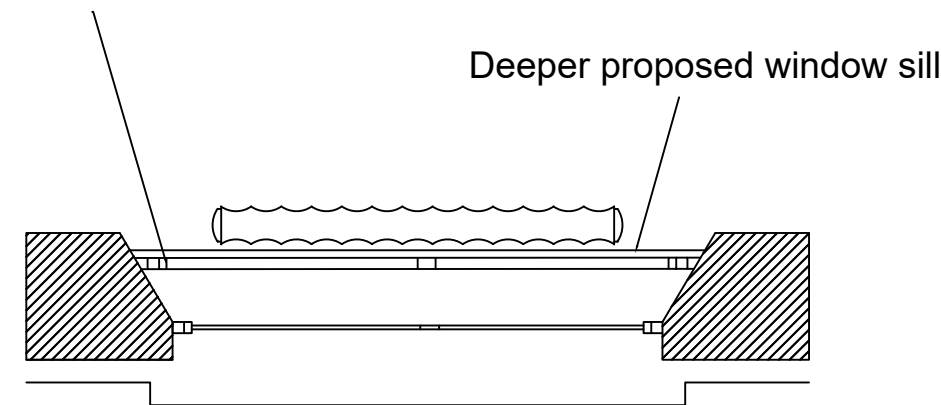
Drawing Title
Plan View of Window as
Existing and Proposed

Purpose of Issue Planning		Status WIP	
Project No. 34008	Scale @ A3 1:20	Date 06/04/2023	
Revision 0001	Drawn By DT	Check By DT	Approved By LC

A3 Drawing Identifier	Project	Origin	Zone	Level	Type	Role	Class	Number	BS1192:2007 / Avanti Compliant
34008BPC	XX	01	DR	B	000	0008			

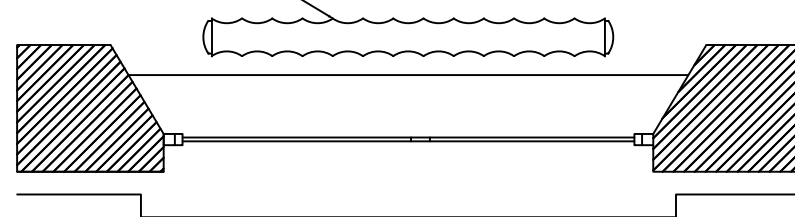
www.baileypartnership.co.uk

Proposed Internal Secondary Glazing



Horizontal Section - Proposed

Radiator



Horizontal Section - Existing

1:20 scale bar

