

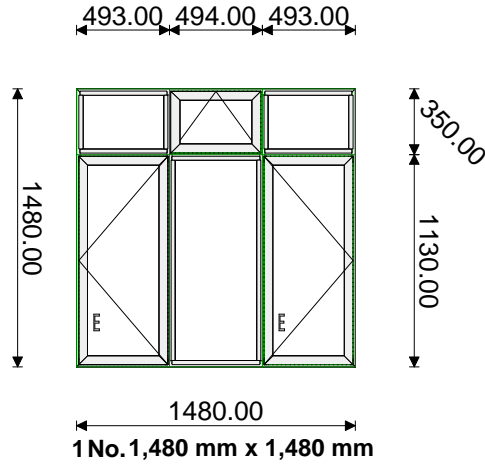
Regency Lodge

Quote Elevation

Quote: 10 Item: 1 Window Qty: 1

1

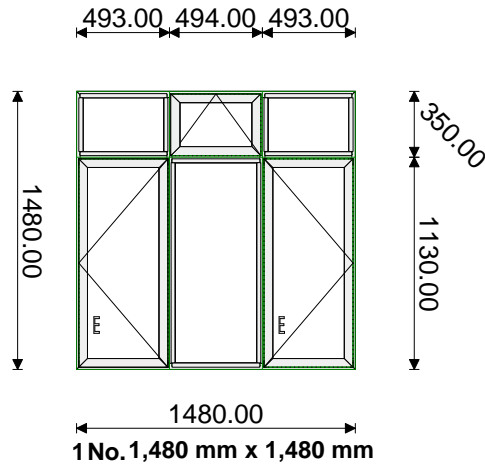
SMARTSWIN
 W20015: Outer Frame
 W20025: Vent
 W20034: Mullion/Transom
 NONE: Cill
 None: Head Extension



Quote: 10 Item: 2 Casement Qty: 1

2

SMARTSWIN
 W20015: Outer Frame
 W20025: Vent
 W20034: Mullion/Transom
 NONE: Cill
 None: Head Extension



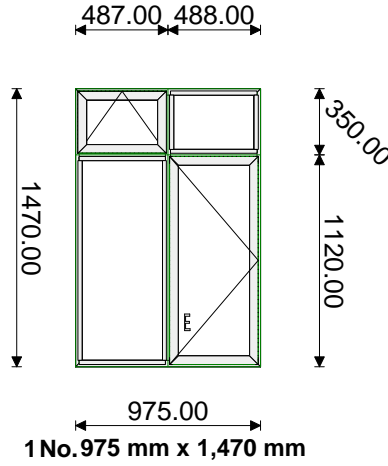
Regency Lodge

Quote Elevation

Quote: 10 Item: 3 Casement Qty: 1

3

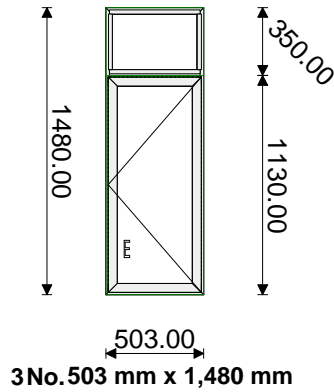
SMARTSWIN
 W20015: Outer Frame
 W20025: Vent
 W20034: Mullion/Transom
 NONE: Cill
 None: Head Extension



Quote: 10 Item: 4 Casement Qty: 3

4

SMARTSWIN
 W20015: Outer Frame
 W20025: Vent
 W20034: Mullion/Transom
 NONE: Cill
 None: Head Extension



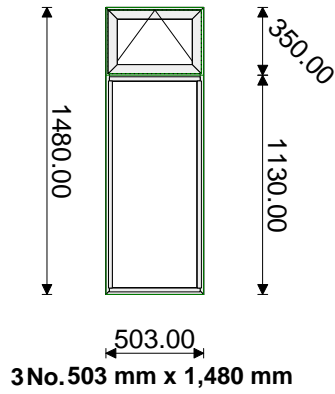
Regency Lodge

Quote Elevation

Quote: 10 Item: 5 Casement Qty: 3

5

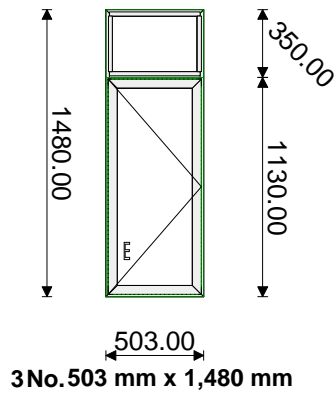
SMARTSWIN
 W20015: Outer Frame
 W20025: Vent
 W20034: Mullion/Transom
 NONE: Cill
 None: Head Extension



Quote: 10 Item: 6 Casement Qty: 3

6

SMARTSWIN
 W20015: Outer Frame
 W20025: Vent
 W20034: Mullion/Transom
 NONE: Cill
 None: Head Extension



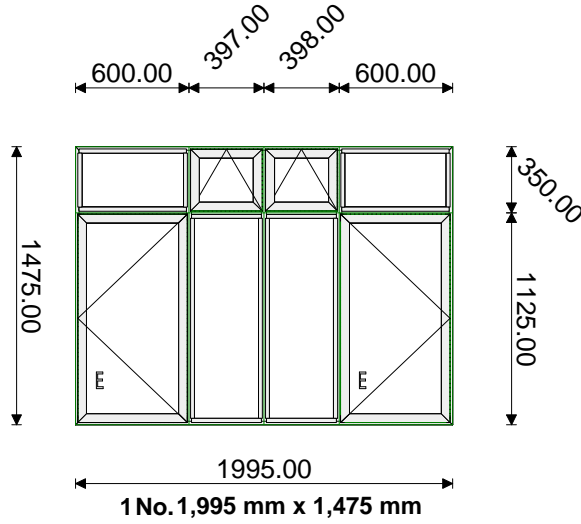
Regency Lodge

Quote Elevation

Quote: 10 Item: 7 Casement Qty: 1

7

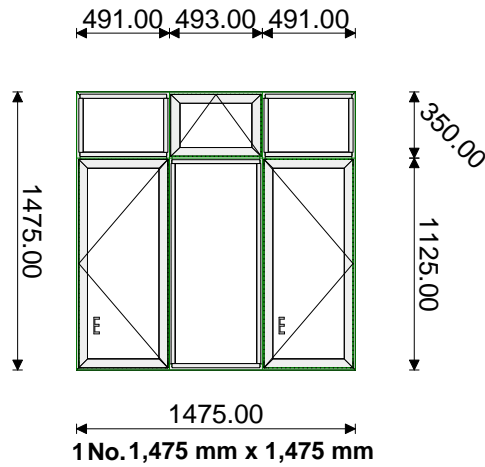
SMARTSWIN
 W20015: Outer Frame
 W20025: Vent
 W20034: Mullion/Transom
 NONE: Cill
 None: Head Extension



Quote: 10 Item: 8 Casement Qty: 1

8

SMARTSWIN
 W20015: Outer Frame
 W20025: Vent
 W20034: Mullion/Transom
 NONE: Cill
 None: Head Extension



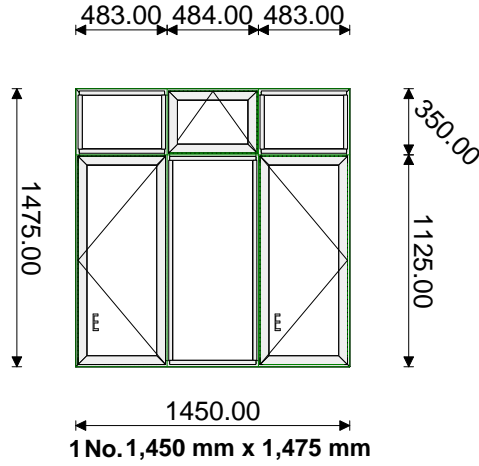
Regency Lodge

Quote Elevation

Quote: 10 Item: 9 Casement Qty: 1

9

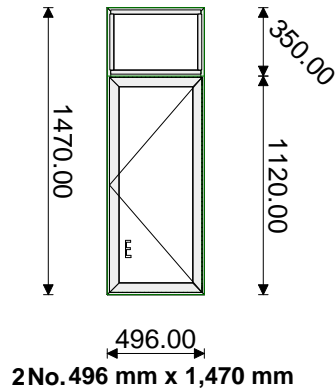
SMARTSWIN
 W20015: Outer Frame
 W20025: Vent
 W20034: Mullion/Transom
 NONE: Cill
 None: Head Extension



Quote: 10 Item: 10 Casement Qty: 2

10

SMARTSWIN
 W20015: Outer Frame
 W20025: Vent
 W20034: Mullion/Transom
 NONE: Cill
 None: Head Extension



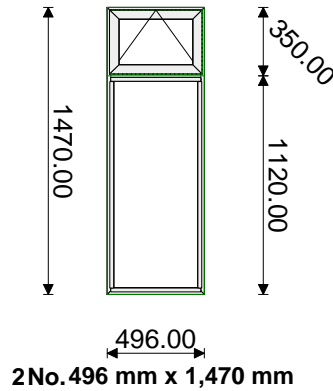
Regency Lodge

Quote Elevation

Quote: 10 Item: 11 Casement Qty: 2

11

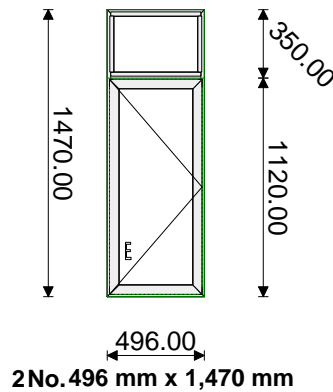
SMARTSWIN
 W20015: Outer Frame
 W20025: Vent
 W20034: Mullion/Transom
 NONE: Cill
 None: Head Extension



Quote: 10 Item: 12 Casement Qty: 2

12

SMARTSWIN
 W20015: Outer Frame
 W20025: Vent
 W20034: Mullion/Transom
 NONE: Cill
 None: Head Extension



Quote Summary: 10

Quote Summary

Quote costing includes Extrusion RoundUp

Quote No: 10

Version: 4 | 25/10/2023

Items: 21 Unit(s)

This is an estimation only, based upon information input.

Any details supplied are for information purposes only and do not imply Smart Systems' approval of the proposal.

Smart Systems accept no responsibility for the correctness of this information

All drawings drawn in convention with BS4873:2009