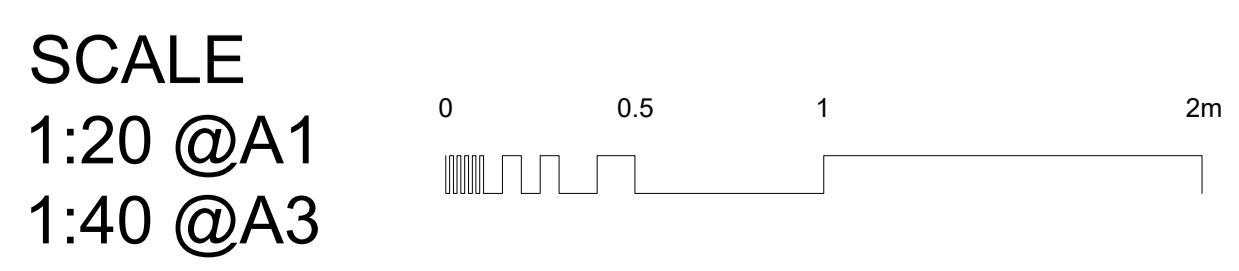
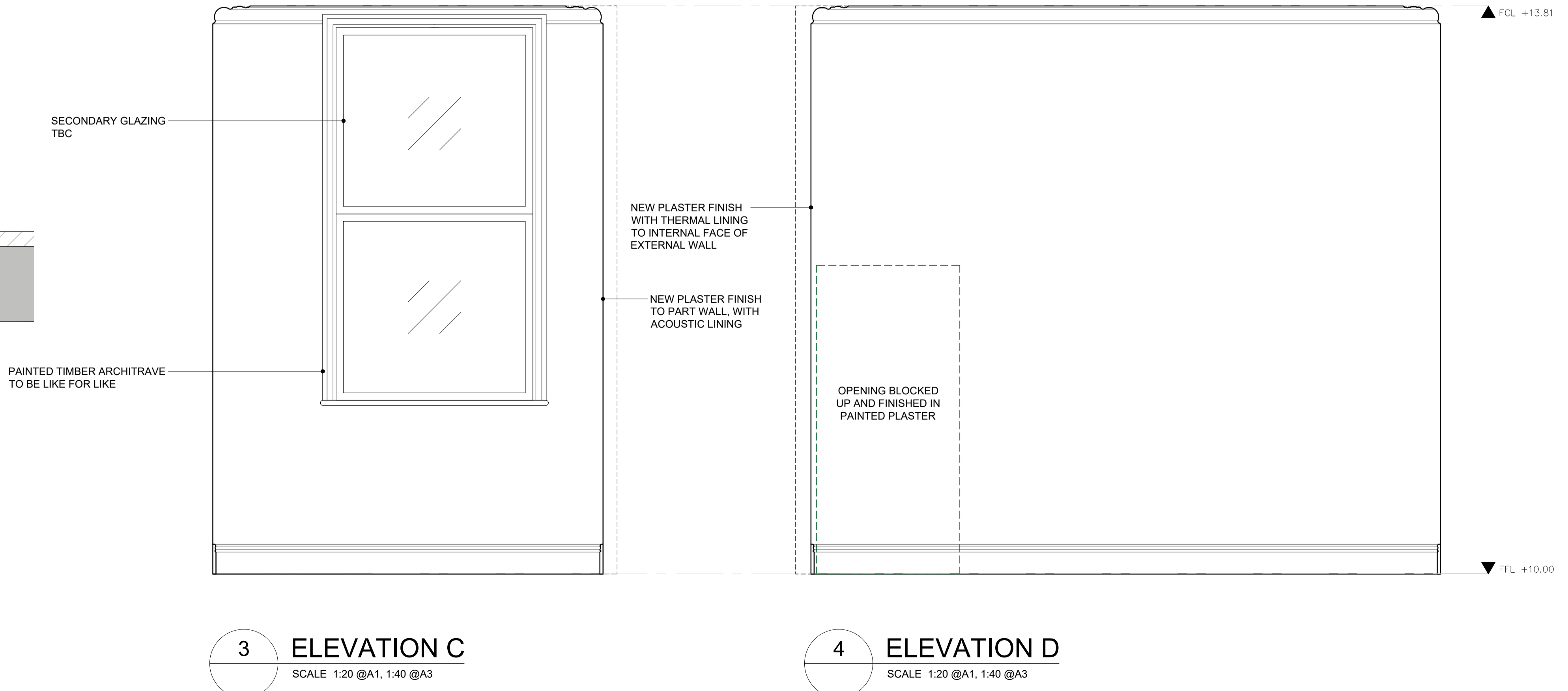
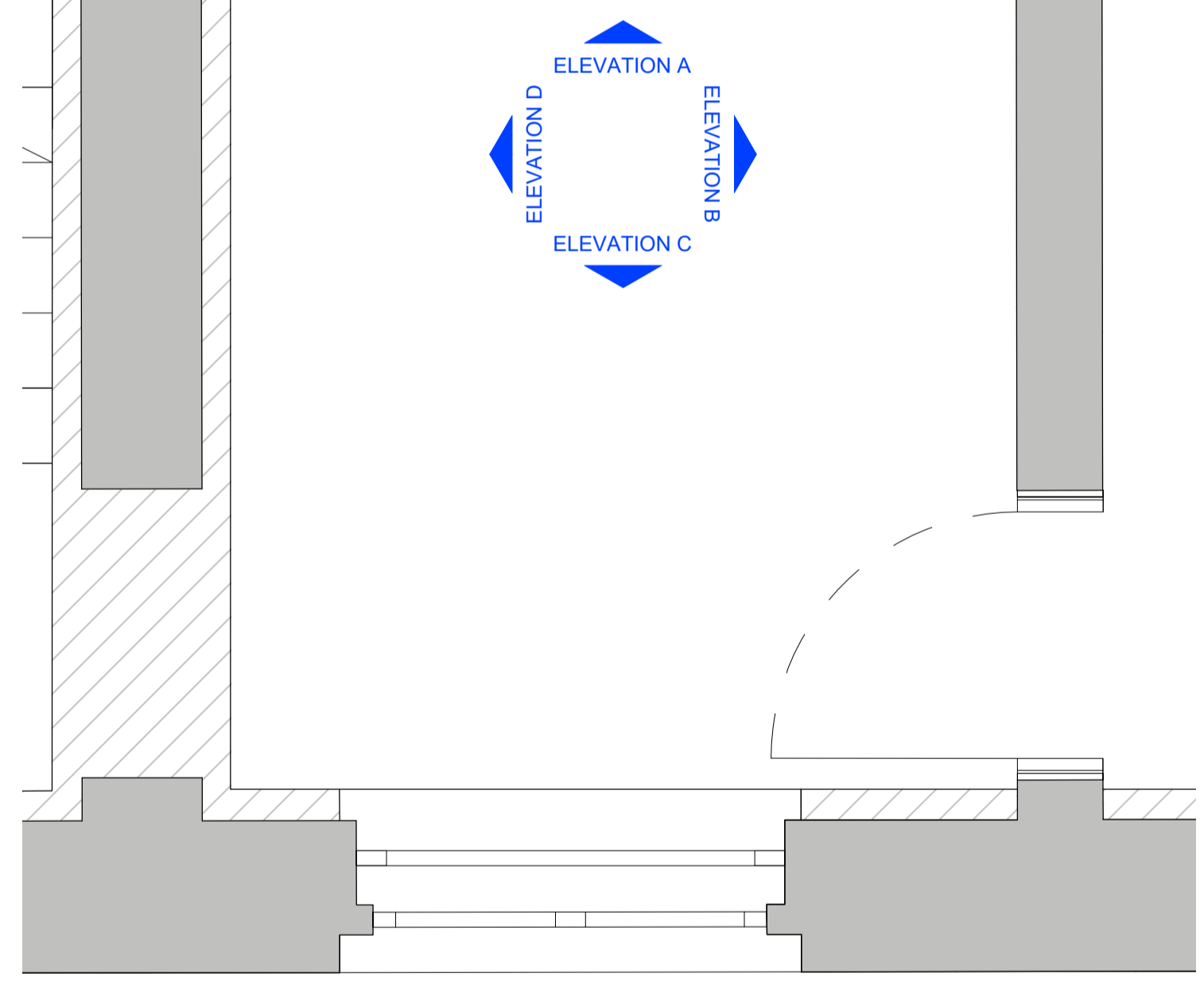
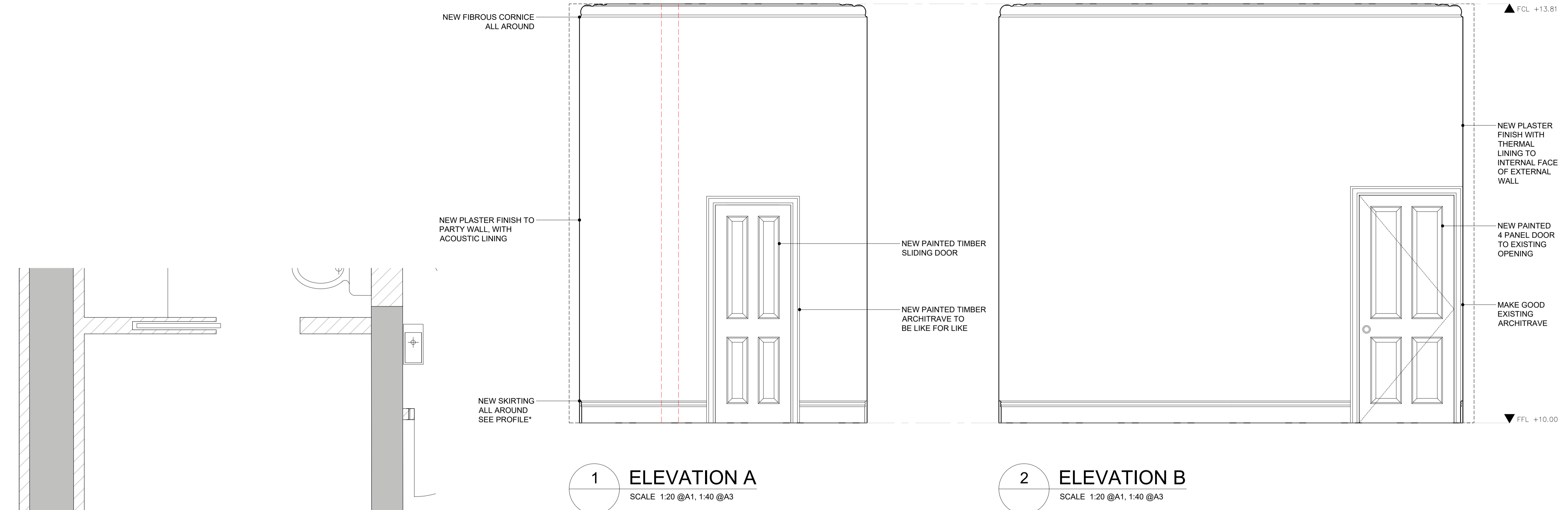
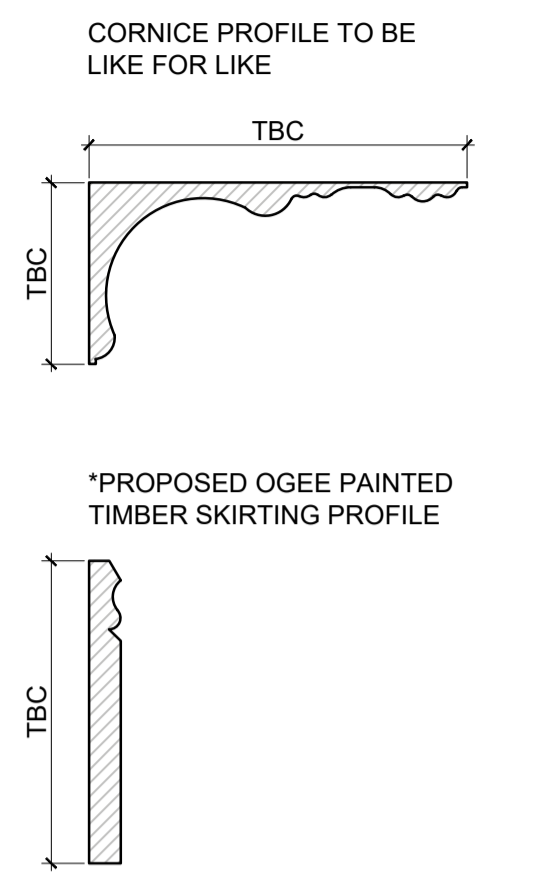


PROPOSED INTERNAL ELEVATION - G.09 BEDROOM  
NO.15 BONNY STREET - GROUND FLOOR



PLEASE NOTE:  
FOR CONSTRUCTION PURPOSES USE FIGURED DIMENSIONS ONLY. THIS DRAWING IS TO BE READ IN CONJUNCTION WITH ALL RELEVANT PROJECT INFORMATION. ALL DIMENSIONS MUST BE CHECKED ON SITE PRIOR TO THE COMMENCEMENT OF WORKS. PLEASE REPORT ANY DISCREPANCY TO THE ARCHITECT OR CONTRACT ADMINISTRATOR.



PLEASE NOTE:  
SPEC AND LOCATION OF RADIATORS, EXTRACTORS, SWITCHES AND SOCKETS TO BE CONFIRMED.  
WHERE NEW SWITCHES AND SOCKETS ARE TO BE PROVIDED ON EXISTING WALLS AND OR CEILINGS, TRUNKING IS TO BE USED.  
NEW WALLS AND SUSPENDED CEILINGS ARE TO PROVIDE A SPACE FOR SERVICES.

|  |                |                |              |
|--|----------------|----------------|--------------|
| P1   | 03/10/2023     | First Issued   | AM           |
| Rev:   | Date:          | Revision note: | By:          |
|  |                |                |              |
| Maidstone Innovation Centre, Suite 44.45 & 46, Gids Pond Way, Maidstone, Kent, ME14 5FY<br>T 01622 692249<br>E pbc@primebc.co.uk<br>W www.primegrouppltd.co.uk |                |                |              |
| SURVEYORS ARCHITECTS PLANNERS  |                |                |              |
| Project: 13 & 15 BONNY STREET, NW1 9PE   |                |                |              |
| Client: THE ARCH COMPANY   |                |                |              |
| Title: PROPOSED INTERNAL ELEVATION - G.09 BEDROOM  |                |                |              |
| Purpose of issue: PLANNING / LBC   |                |                |              |
| Drawing number: 014.2429-054   |                | Revision: P1   |              |
| Scale: 1:20  | Paper Size: A1 | Date: 09/2023  | Drawn By: AM |
| Copyright © Prime Building Consultants Limited. Do not reproduce without written permission.   |                |                |              |