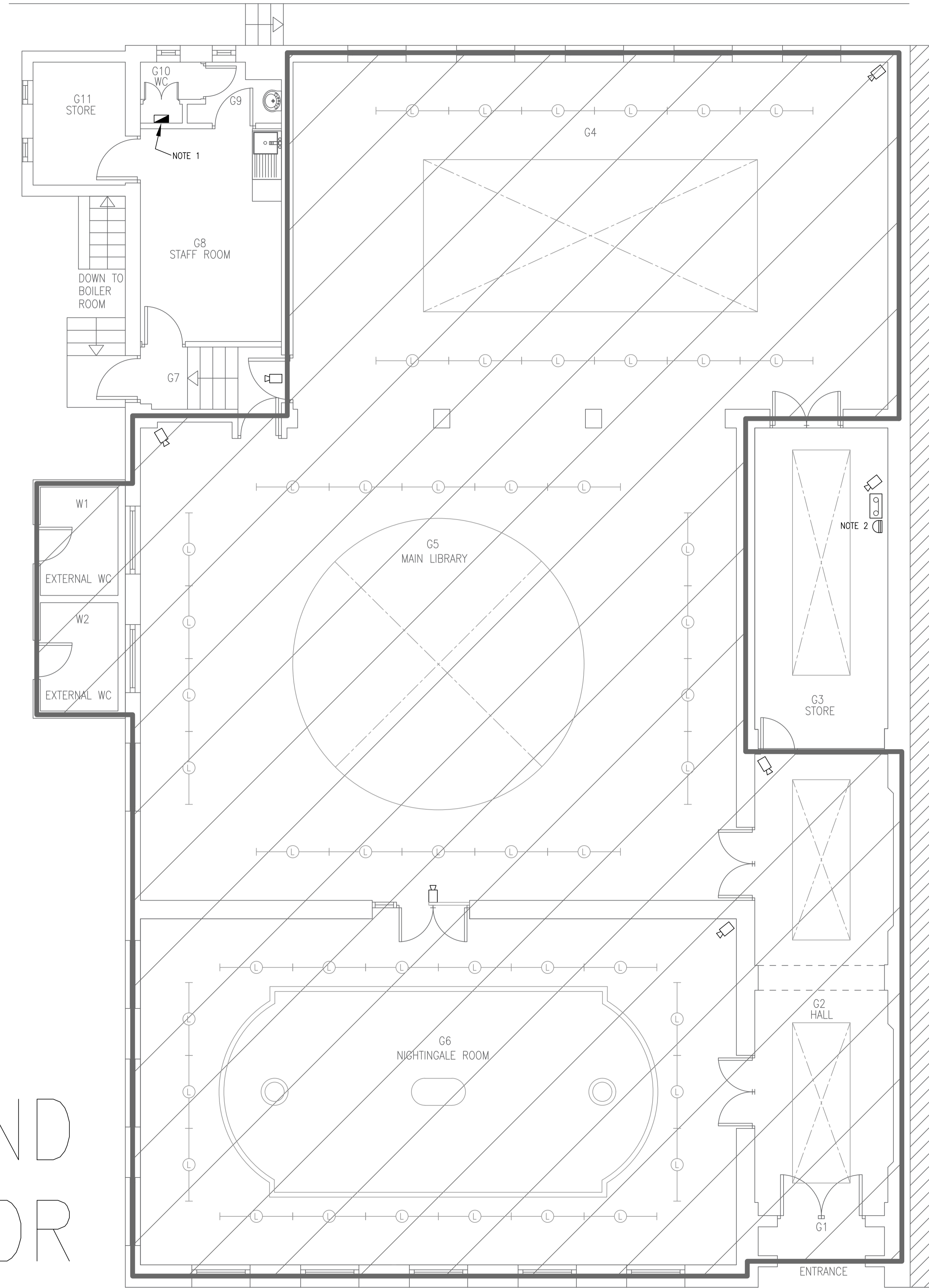
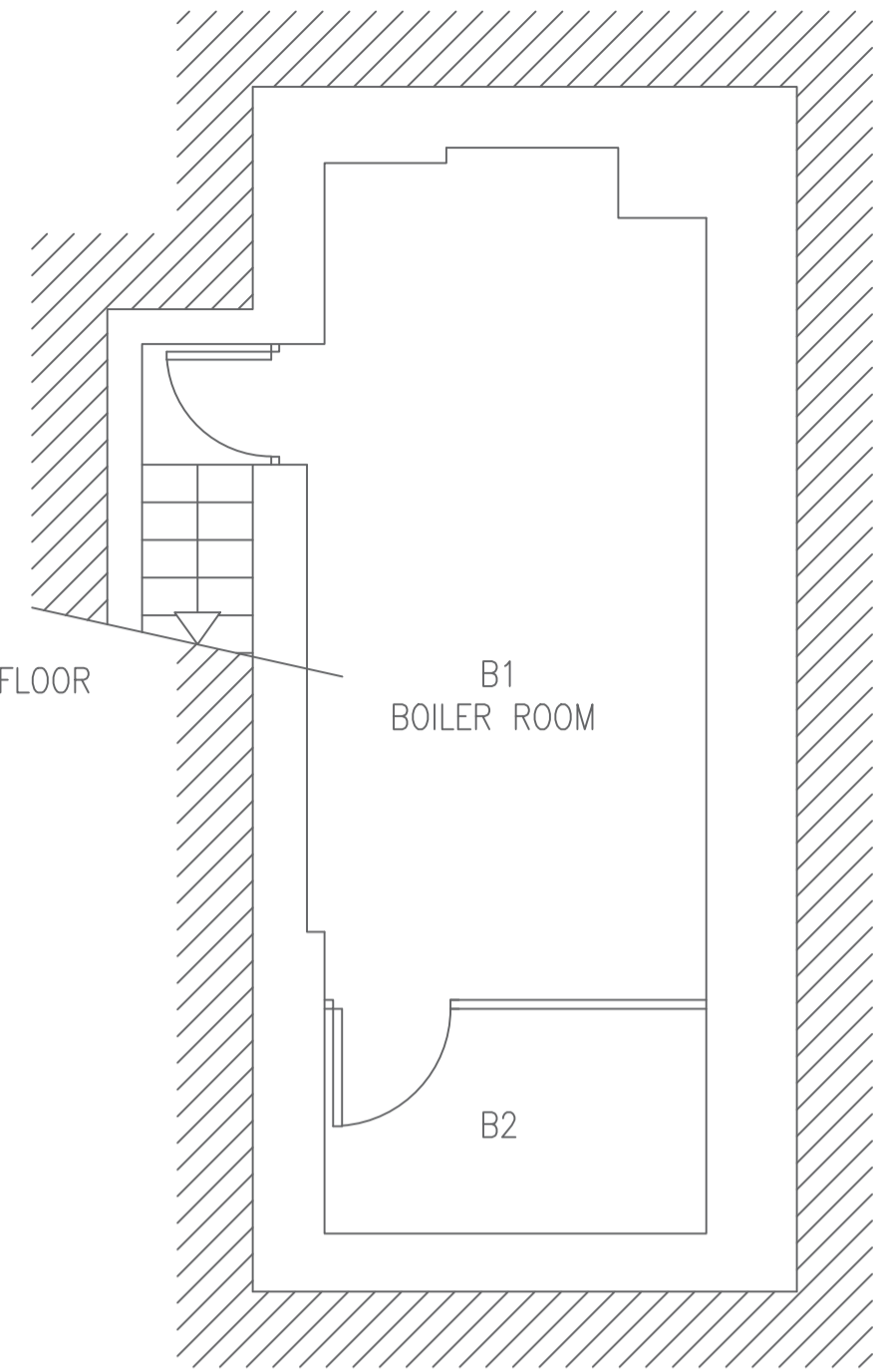
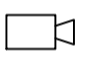
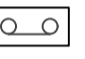

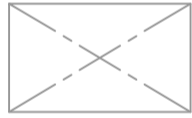



BASEMENT



GROUND FLOOR

LEGEND

-  - CLOSED CIRCUIT TELEVISION CAMERA - TO BE RETAINED
-  - CCTV RECORDING DEVICE - TO BE RETAINED
-  - SUSPENDED MODULAR LINEAR LIGHTING SYSTEM (EXISTING RETAINED)
-  - ROOFLIGHT
-  - VISITOR ACCESSIBLE

notes

1. LOCATION OF DNO SERVICE HEAD & METER ALONG WITH THE LIBRARIES DISTRIBUTION BOARD.
2. AN EXISTING NON-FUSED CONNECTION UNIT IS IN-SITU TO SUPPLY THE CCTV SYSTEM. HOWEVER, IT IS UNKNOWN WHAT TYPE OF CABLE HAS BEEN UTILISED AND HOW IT IS SUPPLIED FROM THE LIBRARIES DISTRIBUTION BOARD.
THE CONTRACTOR SHALL INVESTIGATE AND IF FOUND TO BE UNSUITABLE A NEW CABLE IS TO BE INSTALLED AND THE CIRCUIT IS TO BE DEDICATED TO THE CCTV SYSTEM ONLY.
3. NO INTRUDER ALARM SYSTEM EXISTS.
4. INTRUDER ALARM SIREN (NON-FUNCTIONING DETERRENT) - TO BE REMOVED.
5. THE CCTV SYSTEM IS TO BE RETAINED WITH NO NEW WORKS TO BE UNDERTAKEN.
6. WHERE PRACTICAL AND IT DOES NOT IMPAIR ITS OPERATION, ALL NEW & EXISTING DEVICES/EQUIPMENT (INCLUDING THE LIGHTINGS 'KLIK' CEILING ROSES) ARE TO BE PAINTED (EVENLY & WITHOUT RUNS) SO AS TO MATCH THE SURROUNDING WALL/CEILING SURFACE TO WHICH IT IS FIXED.
7. ALL REDUNDANT CABLING IS TO BE REMOVED AND ANY SURFACES MADE GOOD.

Notes
Do not scale. All dimensions to be checked on site.
Errors to be reported to supervising officer.

Rev	Description	Drawn	Date
C	SYMBOLS REDUCED IN SIZE AND NOTES 7 & 8 ADDED.	S.M.C.	17.07.23
B	TWO MODS TO LEGEND (LUMINAIRE) AND ROOM G11 DETAIL ADDED.	S.M.C.	15.12.22
A	INCORPORATING ARCHITECTS COMMENTS.	S.M.C.	08.11.22



CITY OF LONDON
P.G. Wilkinson BSc MSc MRICS
City Surveyor

CITY SURVEYOR'S DEPARTMENT
Corporate Property Group:
Plans & Research Section

Project :
KEATS COMM. LIBRARY
10 KEATS GROVE
LONDON NW3 2RR

Drawing :
BASEMENT & GRD FLR
EXISTING CCTV SYSTEM
LAYOUT

Scale at A1 : 1:50 Drawn by : S.M.C.

Des : S.M.C. App :

Date : NOV 21 Pro code UPRN

Drawing No: COL/KL/68/01

Revision	Description
C	