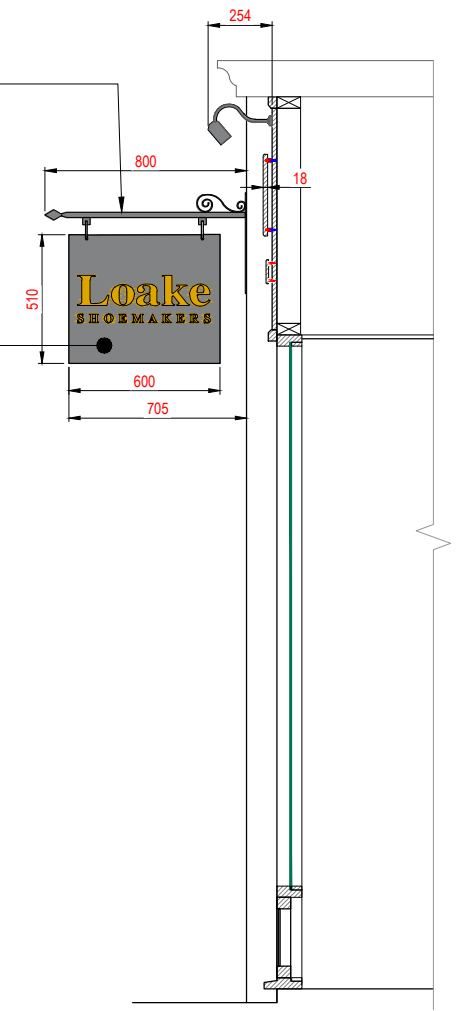


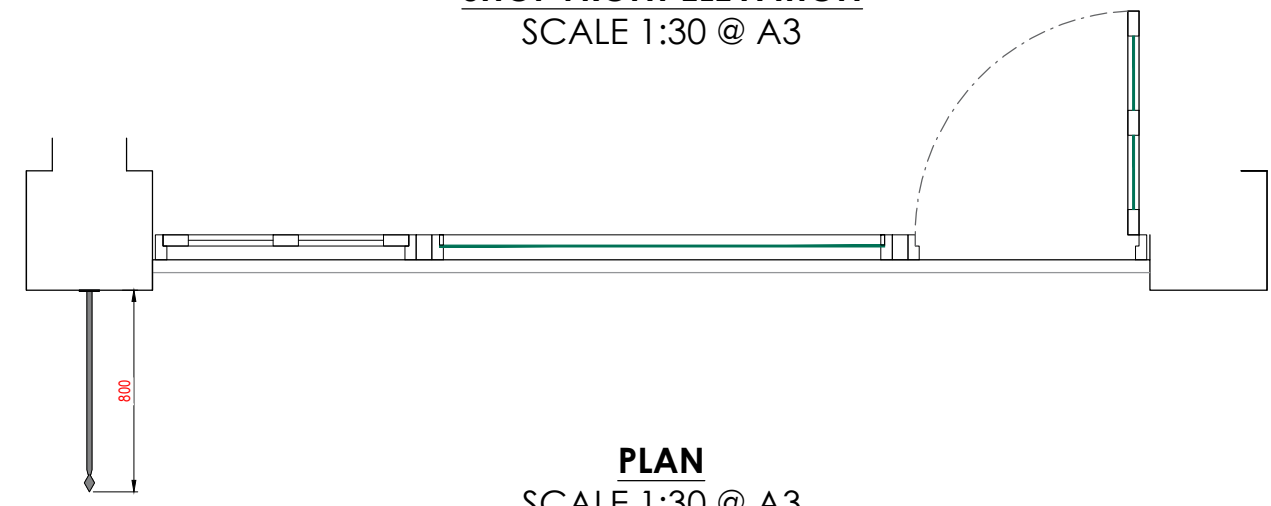


SHOP FRONT ELEVATION
SCALE 1:30 @ A3

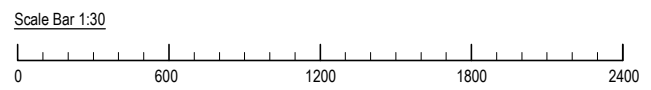
- Black, Swan neck, Trough light with IP44, Warm white led lighting.
- Black PC, Mild steel, hanging bracket, secured to brick column.
- LOAKE SIGN. 30mm Thick Tricoya timber lettering with gold paint finish. Secured to ply fascia with Brass stand-off (A1M4-SCB) sign locaters. 10mm Gold painted Acrylic "SHOEMAKERS" letters secured to ply fascia with mini nylon sign locaters.
- Black PC Aluminium hanging sign with metallic Gold vinyl "Loake Shoemakers" to both sides.
- Gold Vinyl, Reverse cut No 62 applied to the inside of the glass.
- Timber frame shop window. Timber frame painted Dulux Weathershield, Dark Black/green.
2 parts dulux ref: wshield ext gloss 2013, colour : black
1 part dulux ref: wshield ext gloss 2013, colour : hollybush, 3040, 14c39



SECTION
SCALE 1:30 @ A3



PLAN
SCALE 1:30 @ A3



TOP NOTCH JOINERY SHOPFITTING INTERIORS Pychley Lodge Road Pychley Industrial Estate Kettering Northamptonshire NN15 6JQ Tel: 01536 310092 Fax: 01536 414305 info@topnotchjoinery.co.uk www.topnotchjoinery.co.uk	CLIENT	LOAKE SHOEMAKERS	DRAWING No.	06-P-SF
	PROJECT	SHOP FIT	DRAWN BY	DR
		62 NEAL STREET, COVENT GARDENS, LONDON, WC2H 9PA	CHECKED BY	TN
			SCALE	1:30 @ A3
	TITLE	SHOP FRONT	REVISION	
		SIGNAGE AND ELEVATIONS	JOB No.	
		STATUS	PROPOSED	
		DATE	02/10/2023	