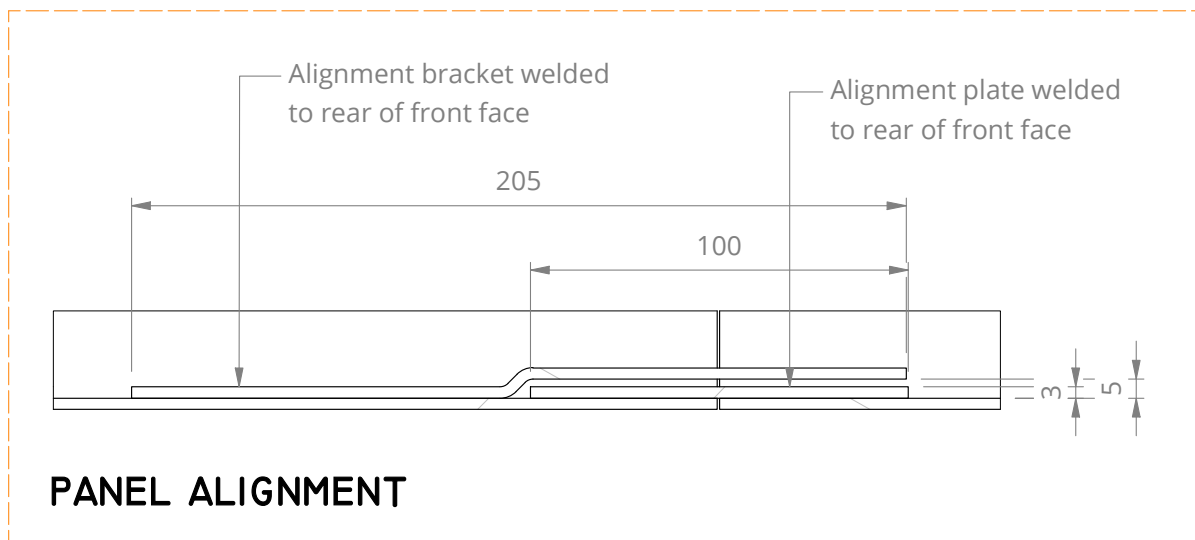
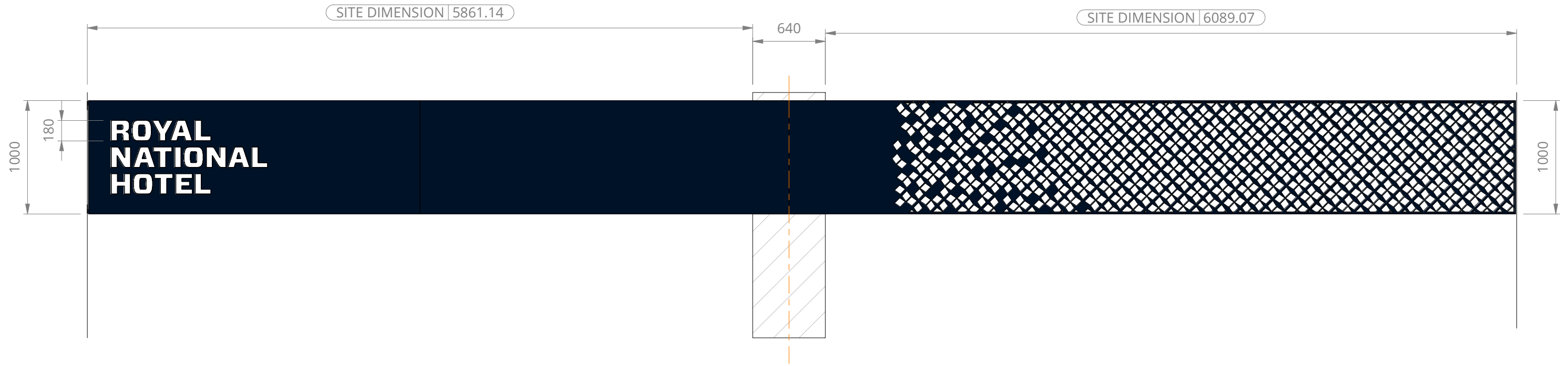


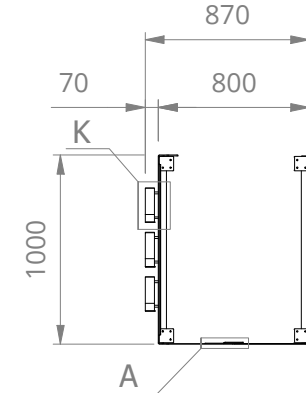
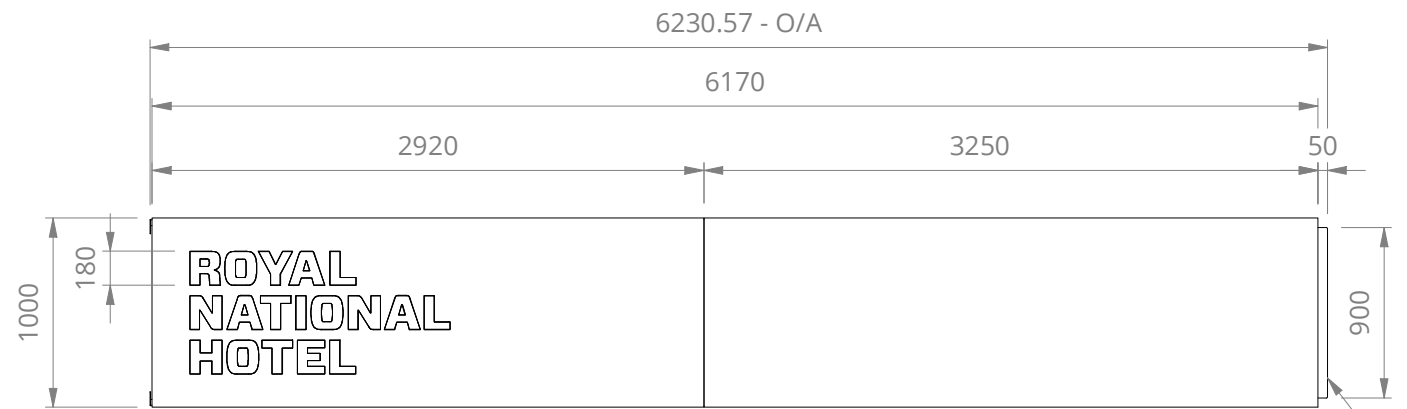
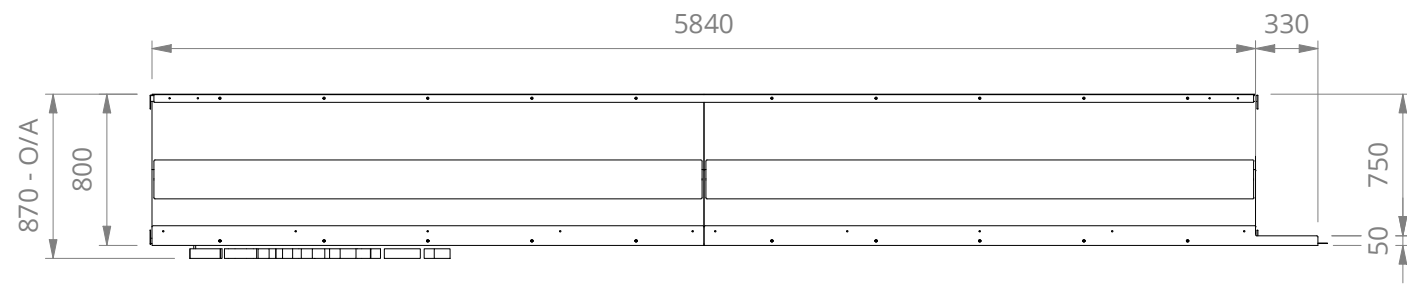
WEST ELEVATION - HANGING SIGN

REVISION HISTORY				
REV	DESCRIPTION	DESIGNER	APPROVED	DATE
B	Panels extended and align in front of column. Perforation pattern removed from underside.	JoshE	J Elliott	11/09/2023
C	Letter construction detail updated	JoshE	J Elliott	22/09/2023
D	Material specs added	JoshE	J Elliott	04/10/2023

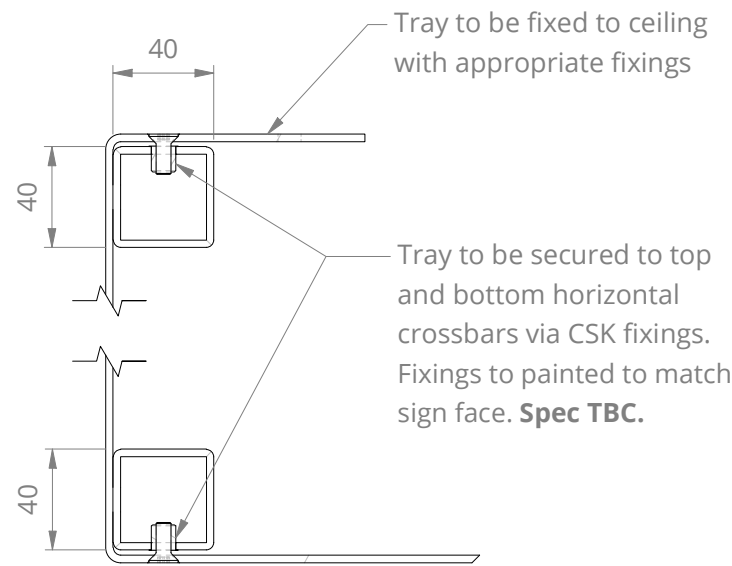


COPYRIGHT © 2019 - The details shown on this drawing are confidential and are the exclusive property of Global Brand Solutions Ltd. No use, copy or disclosure of this drawing may be made without written permission. No company or person(s) are to manufacture from these drawings without carrying out full due diligence audit of them including (but not limited to) engineering, quality and compliance with applicable national and international standards and health and safety regulations, before using this information for the purposes of manufacture, or conveyance to others for the purposes of manufacture. No liability is accepted in any form for the use of these drawings by others.

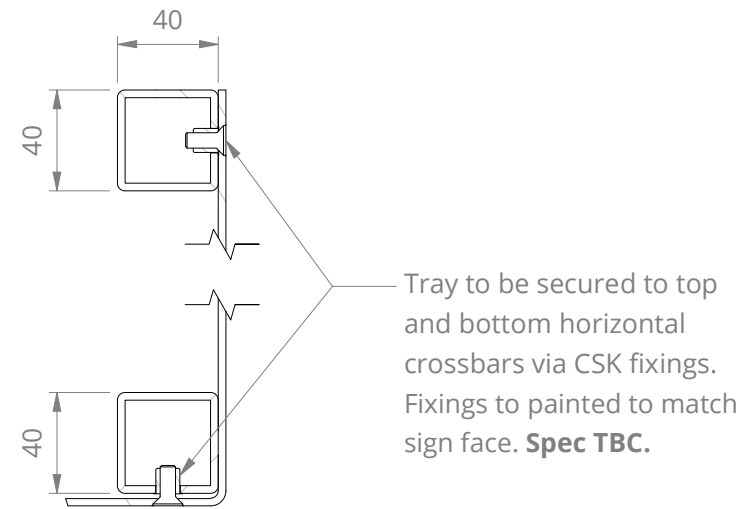
PROJECT: GBS003	DRAWING NO: GBS003-01010		
DESCRIPTION: West Elevation - Hanging Sign			
DATE: 25/08/2023	DRAWN BY: JoshE	REVISION: D	
SHEET SIZE: A3	SCALE: 1 : 35	SHEET NUMBER: 1 OF 4	



Alignment bracket welded to rear of front face



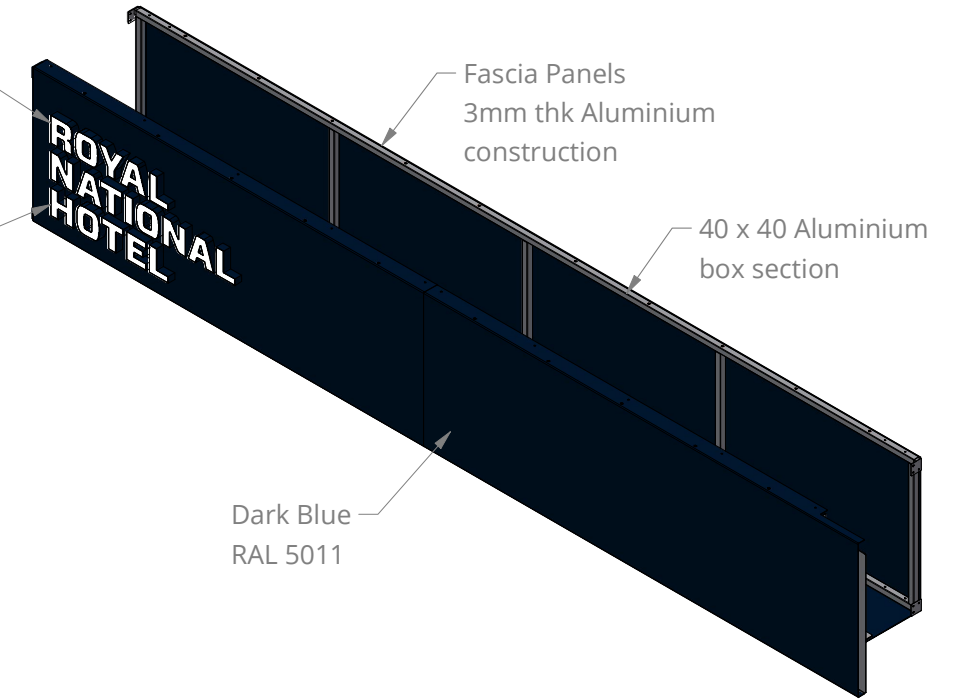
FRONT TRAY SECURING DETAIL



BACK TRAY SECURING DETAIL

Face and Halo illuminated letters

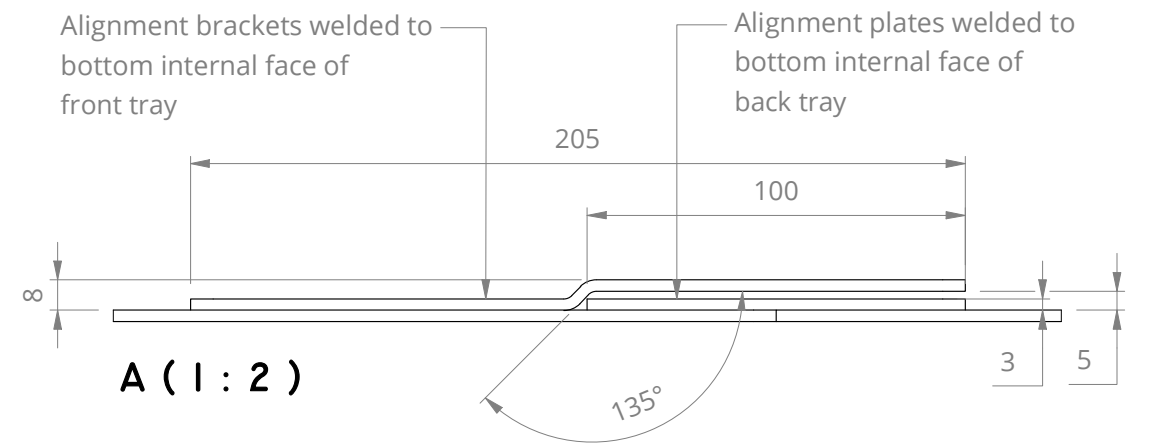
Letters to have access holes with grommets for LED power cables



Fascia Panels 3mm thk Aluminium construction

40 x 40 Aluminium box section

Dark Blue RAL 5011

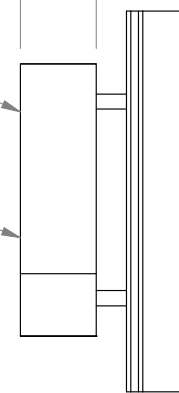


A (1 : 2)

50 - Letter Depth

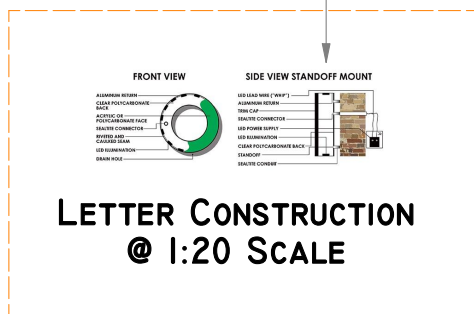
Colour Temp: 2.7k

Lumen level not to exceed 350L.



K (1 : 5)

See Page 4 for construction detail

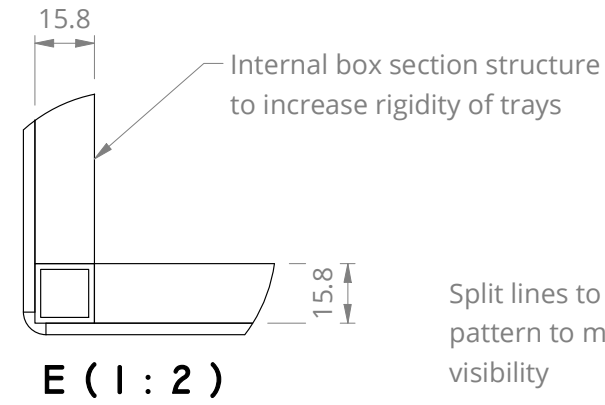
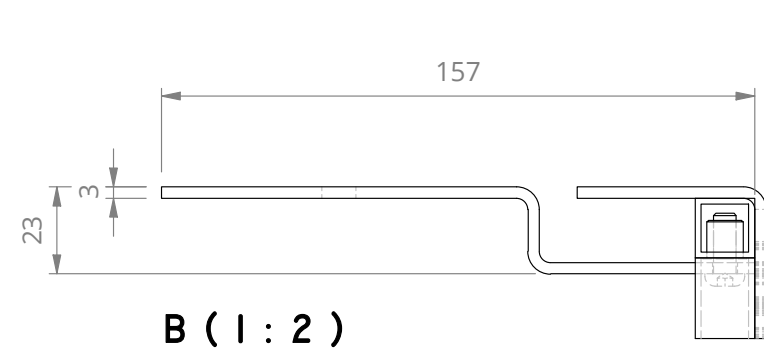
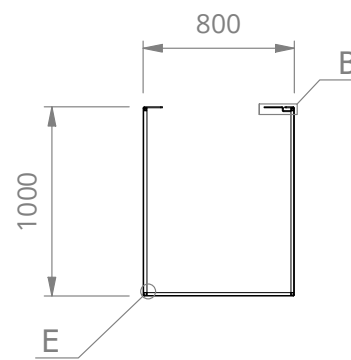
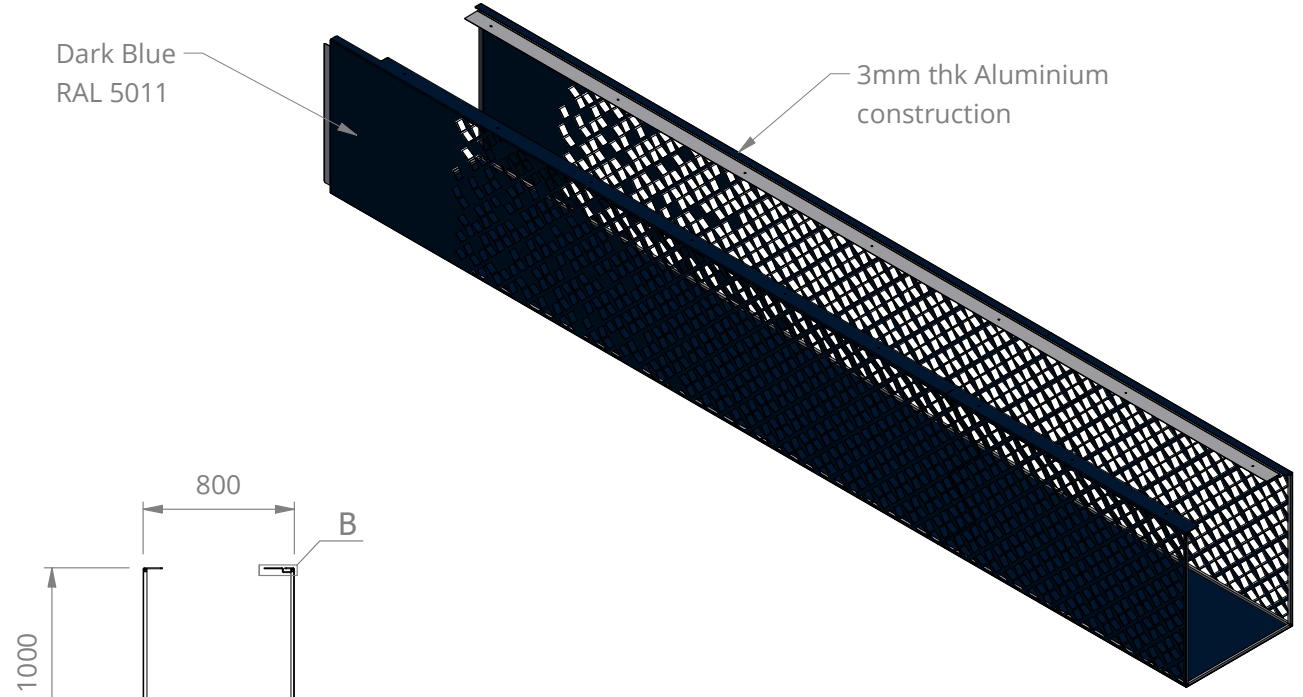
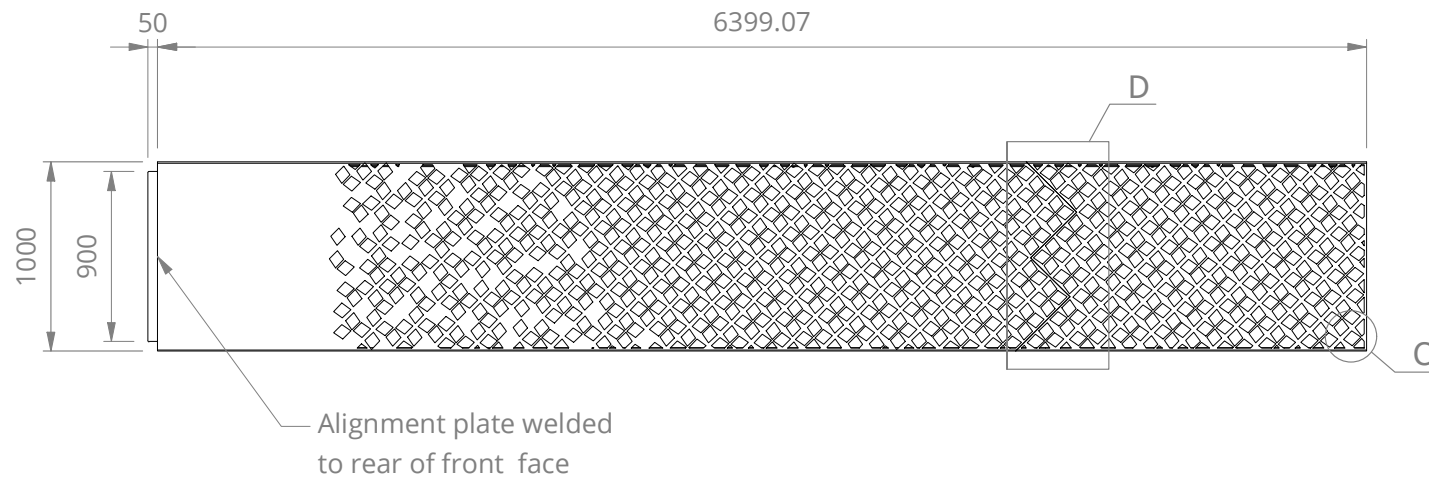
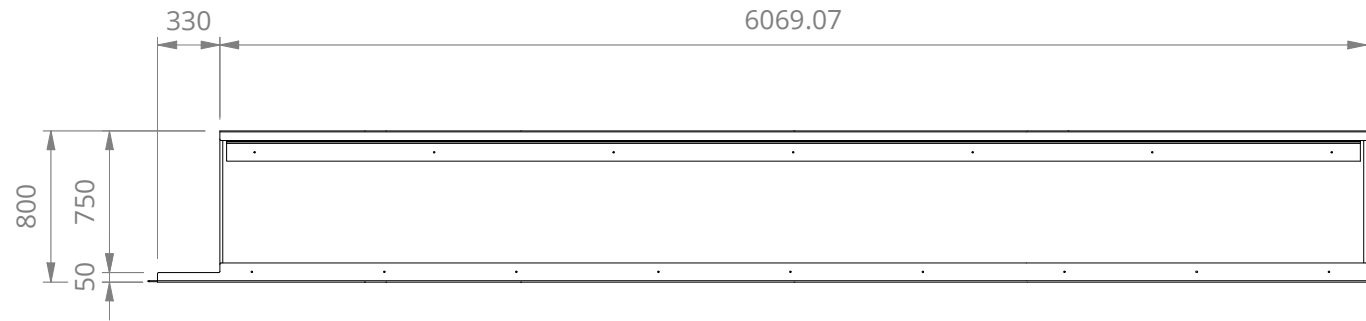


LETTER CONSTRUCTION @ 1:20 SCALE

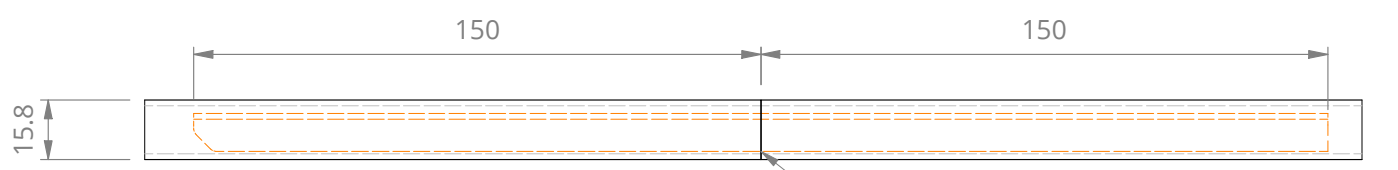
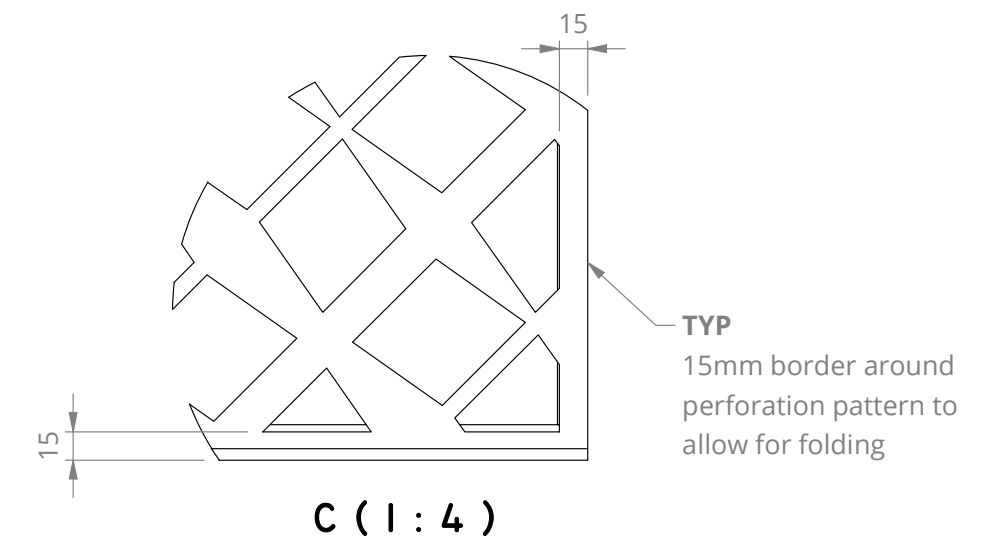
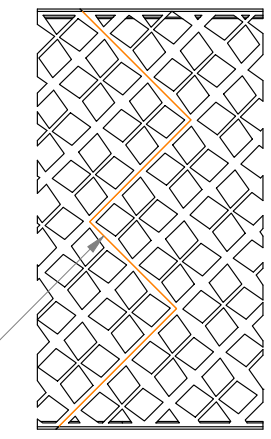


COPYRIGHT © 2019 - The details shown on this drawing are confidential and are the exclusive property of Global Brand Solutions Ltd. No use, copy or disclosure of this drawing may be made without written permission. No company or person(s) are to manufacture from these drawings without carrying out full due diligence audit of them including (but not limited to) engineering, quality and compliance with applicable national and international standards and health and safety regulations, before using this information for the purposes of manufacture, or conveyance to others for the purposes of manufacture. No liability is accepted in any form for the use of these drawings by others.

PROJECT: GBS003	DRAWING NO: GBS003-02004	
DESCRIPTION: West Elevation Hanging Sign - Section A		
DATE: 25/08/2023	DRAWN BY: JoshE	REVISION: D
SHEET SIZE: A3	SCALE: 1 : 40	SHEET NUMBER: 2 OF 4



Split lines to follow pattern to minimise visibility



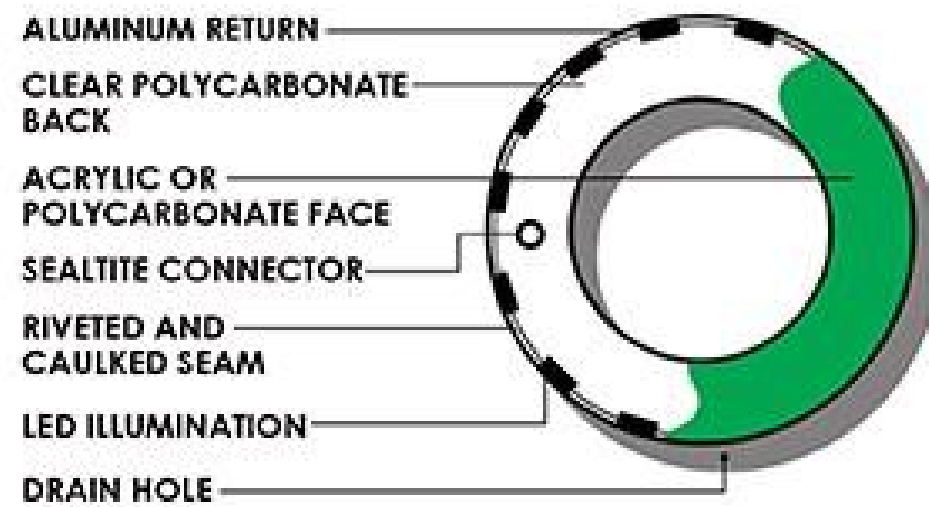
ALIGNMENT DETAIL

GLOBAL BRAND SOLUTIONS

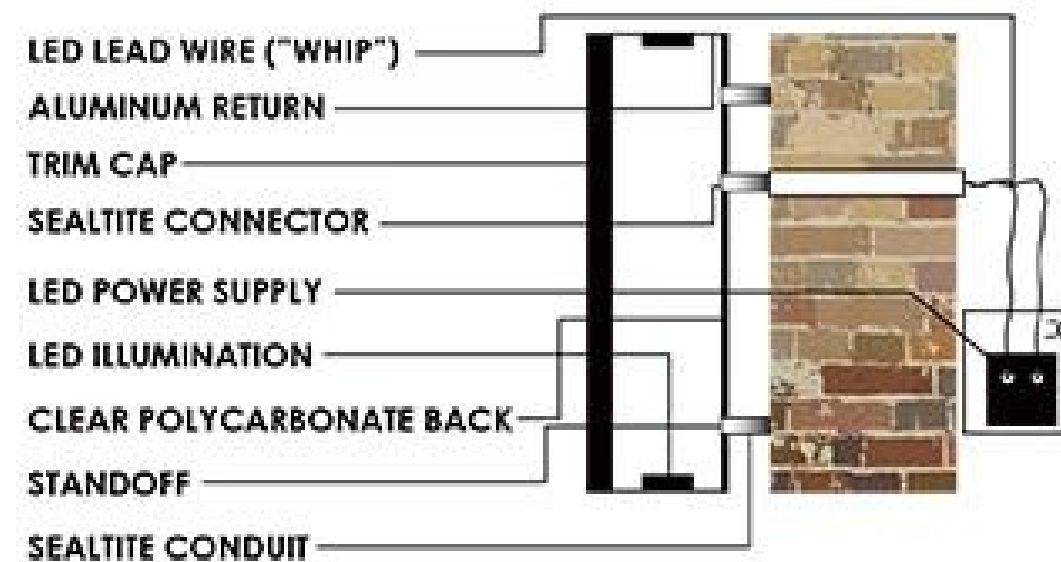
COPYRIGHT © 2019 - The details shown on this drawing are confidential and are the exclusive property of Global Brand Solutions Ltd. No use, copy or disclosure of this drawing may be made without written permission. No company or person(s) are to manufacture from these drawings without carrying out full due diligence audit of them including (but not limited to) engineering, quality and compliance with applicable national and international standards and health and safety regulations, before using this information for the purposes of manufacture, or conveyance to others for the purposes of manufacture. No liability is accepted in any form for the use of these drawings by others.

PROJECT: GBS003	DRAWING NO: GBS003-02005	
DESCRIPTION: West Elevation Hanging Sign - Section B		
DATE: 25/08/2023	DRAWN BY: JoshE	REVISION: D
SHEET SIZE: A3	SCALE: 1 : 40	SHEET NUMBER: 3 OF 4

FRONT VIEW



SIDE VIEW STANDOFF MOUNT



TYP LETTER CONSTRUCTION



COPYRIGHT © 2019 - The details shown on this drawing are confidential and are the exclusive property of Global Brand Solutions Ltd. No use, copy or disclosure of this drawing may be made without written permission. No company or person(s) are to manufacture from these drawings without carrying out full due diligence audit of them including (but not limited to) engineering, quality and compliance with applicable national and international standards and health and safety regulations, before using this information for the purposes of manufacture, or conveyance to others for the purposes of manufacture. No liability is accepted in any form for the use of these drawings by others.

PROJECT: GBS003	DRAWING NO:		
DESCRIPTION:			
DATE: 25/08/2023	DRAWN BY: JoshE	REVISION: D	
SHEET SIZE: A3	SCALE:	SHEET NUMBER: 4 OF 4	