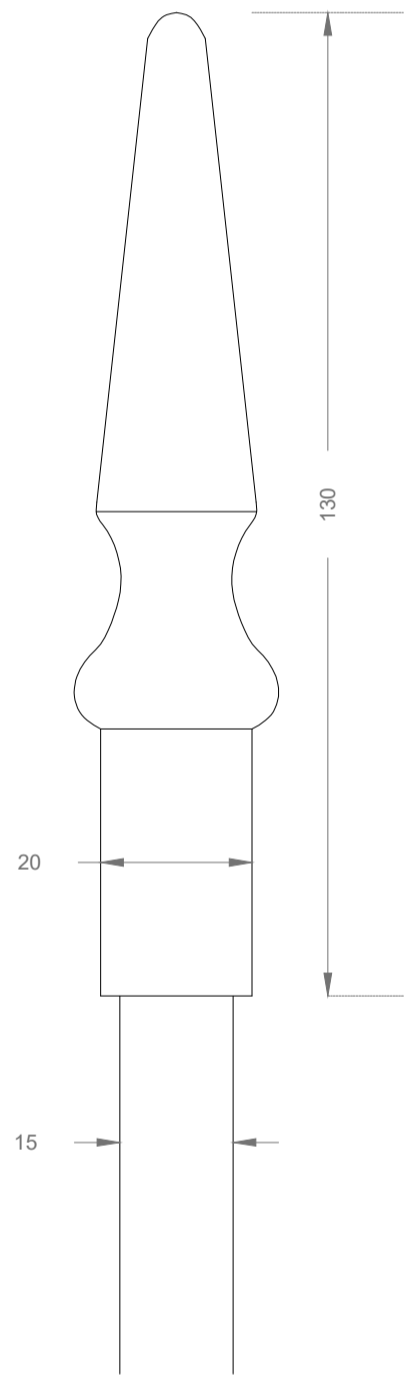
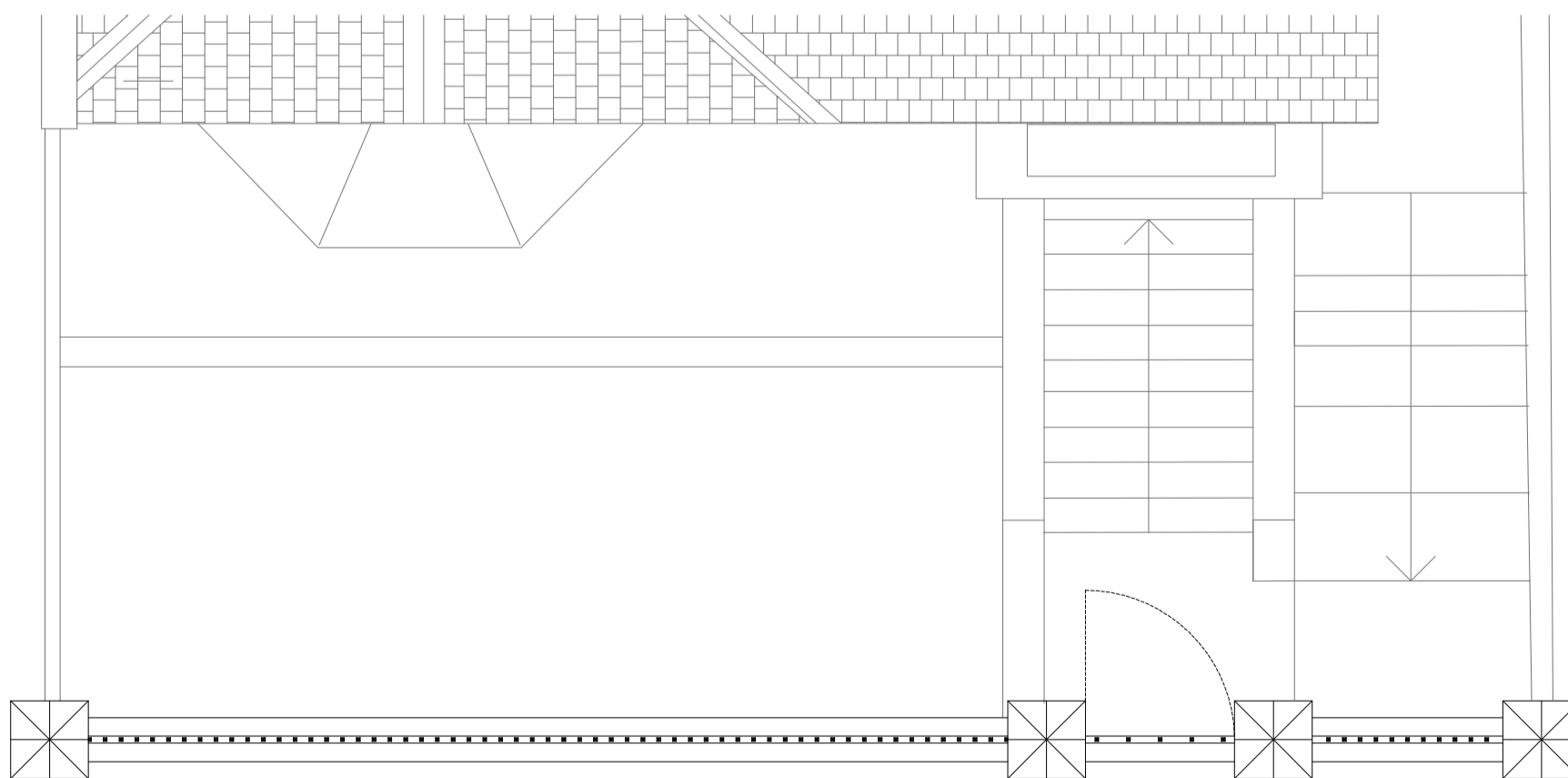




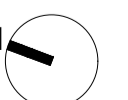
1 - Proposed - Front Elevation  
Scale 1:50



3 - Proposed - Railhead  
Scale 1:1



2 - Proposed - Front garden Plan  
Scale 1:50



Notes	5 Tanza Road NW3 2UA London						
	PROPOSED - Plan and Elevation						
Client	Luke and Carlote B-J	Scale	1:50 @A2	Date	September 2023	Drawing	P-001A