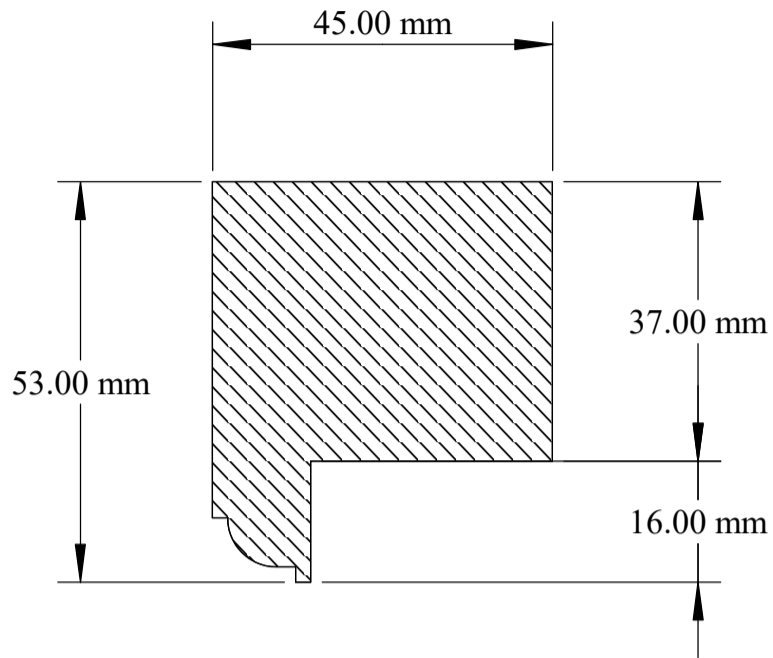
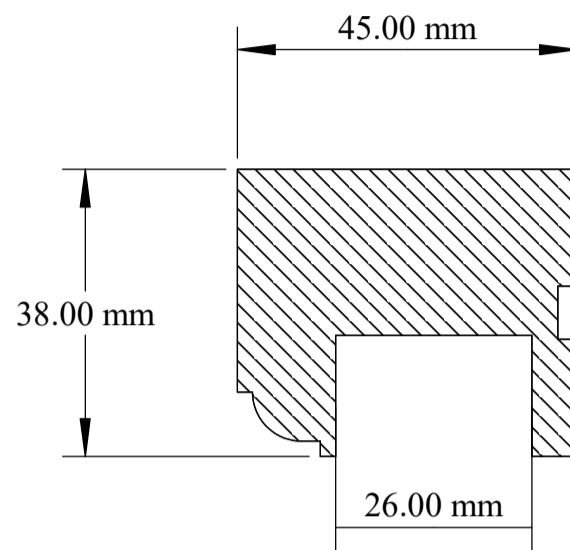


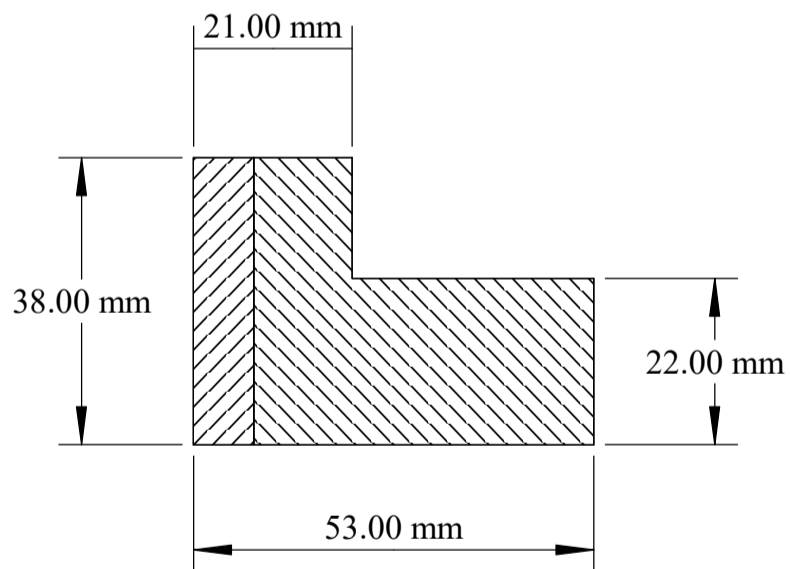
Sash Head & Stiles



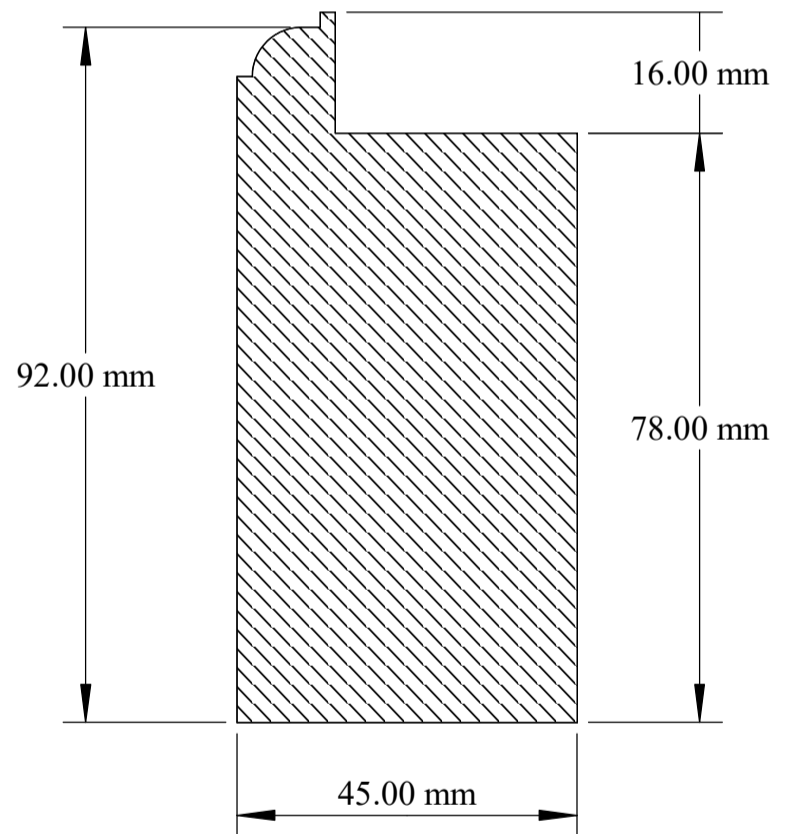
Lower Meeting Rail



Upper Meeting Rail



Bottom Rail



			Description	Sash Profile 45mm Mould: 6.5mm Radius Single Ovolo
Drawing Number: 29	Scale 1:1 @ A3	Author M.Lord		
Sash File				