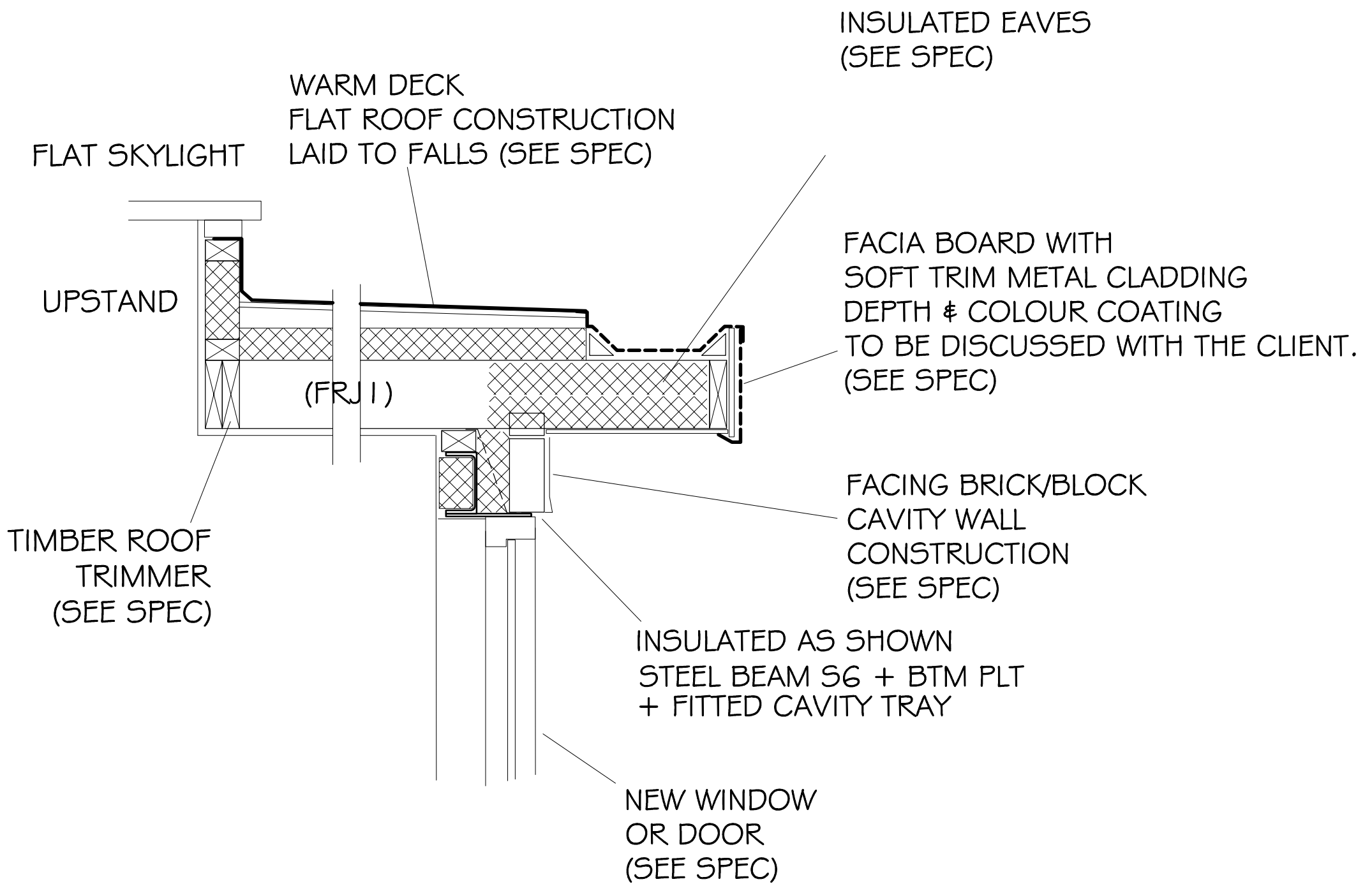


TYPICAL OVERHANG EAVES DETAIL TO FLAT ROOF WITH GULLEY

THIS DRAWING IS TO BE READ IN CONJUNCTION WITH ALL OTHER DRAWINGS AND WITH THE SPECIFICATION



SECTION

THIS DRAWING ISSUED
SUBJECT TO BUILDING
CONTROL APPROVAL

MATERIALS USED:
ALL MATERIALS ARE TO MATCH
EXISTING WHERE POSSIBLE

- IF IN DOUBT ASK -

**ABSTRACT
© PLANS**

DO NOT SCALE@A4 DRAWN RG
DRG No. SK 401

STRUCTURAL • ARCHITECTURAL
TEL: 01483 77 00 73
Email: info@abstract-plans.co.uk
Web: www.abstract-plans.co.uk