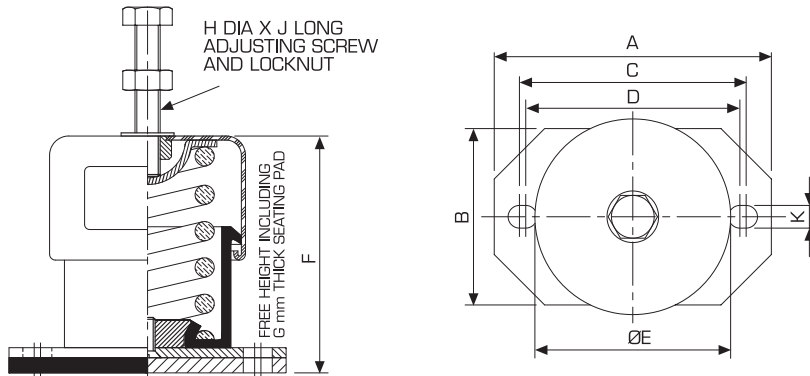


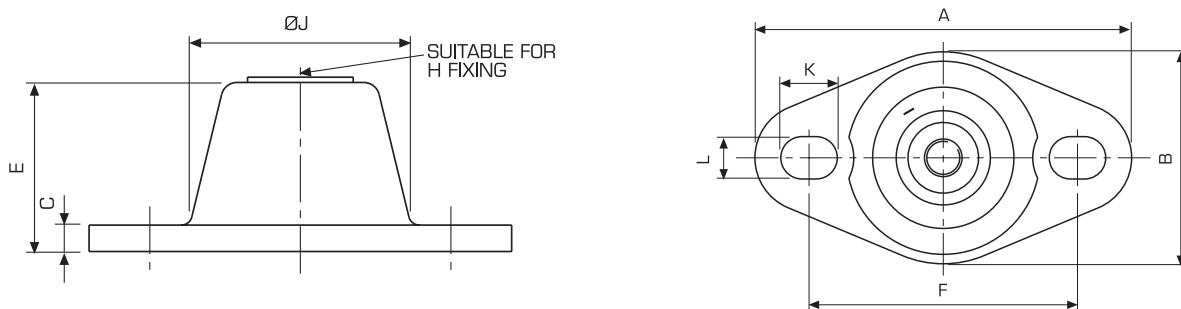
Enclosed Spring Vibration Isolators



Type	Load range per mounting (kg)	Product Number	A	B	C	D	E	F	G	H	J	K
ES20/10/ZSB Purple	10	503008	76	38	60	54	48	66	3	M8	40	6.5
ES20/15/ZSB Yellow	15	503009	76	38	60	54	48	66	3	M8	40	6.5
ES20/20/ZSB Grey	20	503010	76	38	60	54	48	66	3	M8	40	6.5
ES25/60/7SB Green	60	503015	110	70	90	85	78	94	6	M10	60	9
ES25/100/ZSB Blue	100	503016	110	70	90	85	78	94	6	M10	60	9

All dimensions shown in mm

Rubber in Shear Vibration Isolators



Note: These vibration isolators are not suitable for use with JM Aerofoil HT category 300/1 and 400/2 series smoke venting fans - please use spring isolators.

Type	Load range per mounting (kg)	Product Number	A	B	C	E	F	H	J	K	L
63.105.40	0-4	267321	64	43	2	20	50	M6	-	-	-
63.105.60	0-9	267322	64	43	2	20	50	M6	-	-	-
19.100.Yellow	5-28	267336	80	45	5	32	57	M8	41	12	9
19.100.Blue	9-50	267337	80	45	5	32	57	M8	41	12	9
19.101.Blue	23-180	267345	95	60	5	45	71	M10	56	14	9
19.101.Red	35-280	267346	95	60	5	45	71	M10	56	14	9
19.102.Red	48-400	267352	150	86	6	70	115	M12	82	22	11

All dimensions shown in mm

**Bold text denotes next day delivery available if ordered by 4pm.**