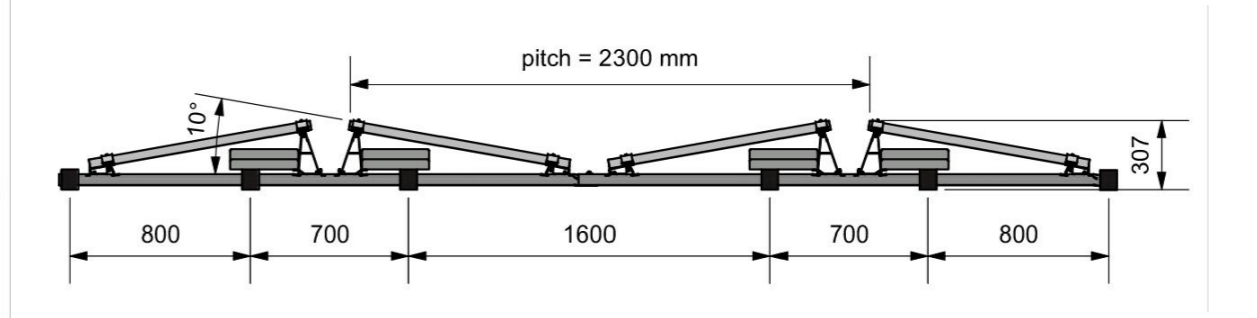


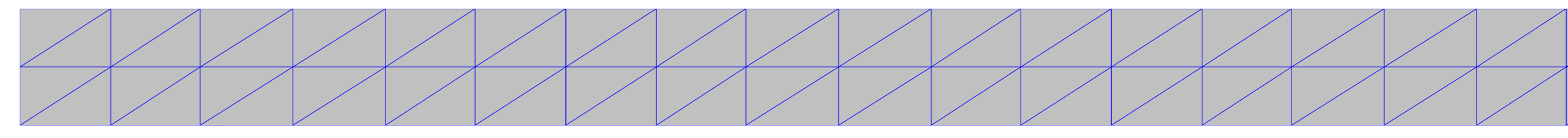
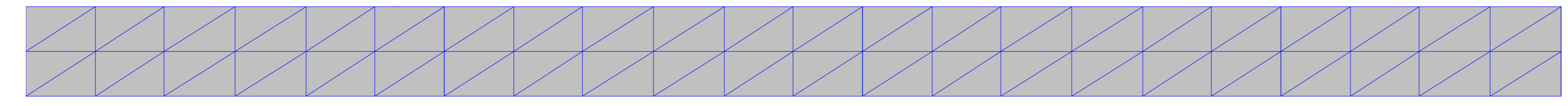
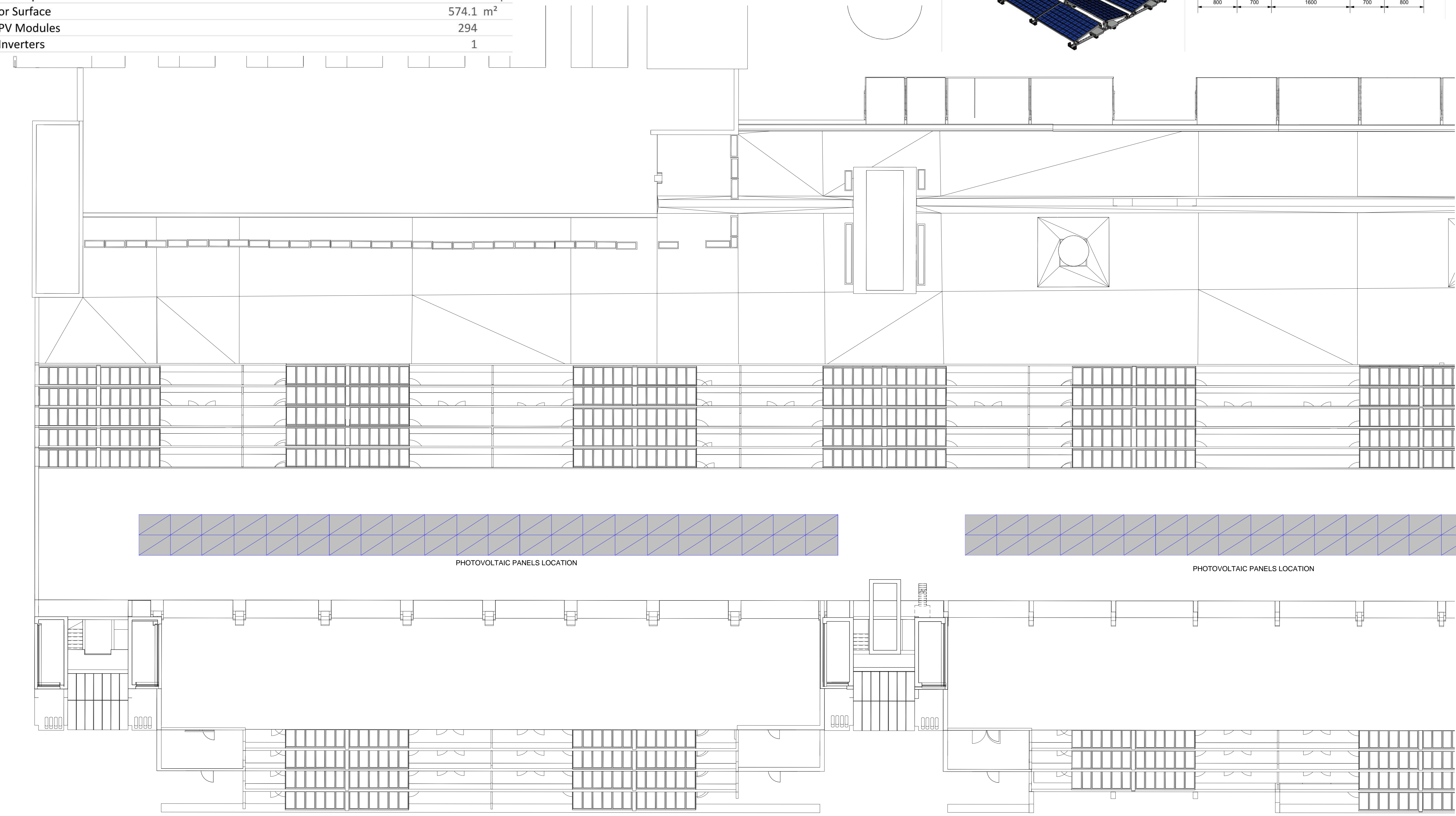
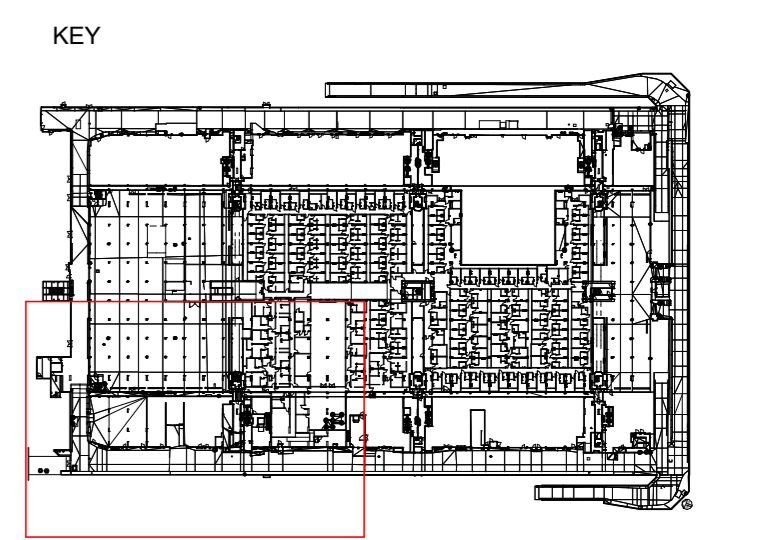
PV System

3D, Grid-connected PV System with Electrical Appliances

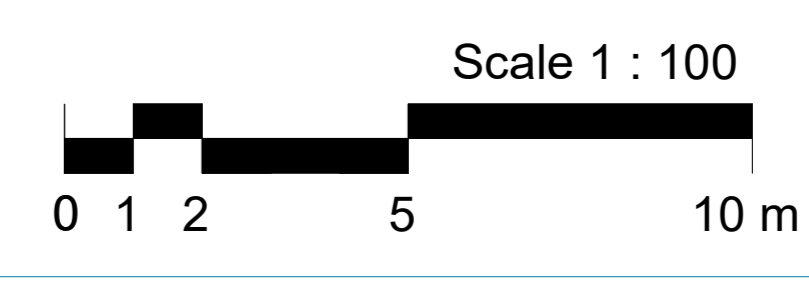
Climate Data	London, GBR (1996 - 2015)
Values source	Meteonorm 8.1(i)
PV Generator Output	120.54 kWp
PV Generator Surface	574.1 m ²
Number of PV Modules	294
Number of Inverters	1



- NOTES**
- THIS DRAWING MUST NOT BE USED FOR CONSTRUCTION OR INSTALLATION PURPOSES UNLESS EXPRESSLY STATED.
 - ALL INFORMATION AND LAYOUT ON THIS DRAWING IS SUBJECT TO SITE DIMENSION CHECKS. DO NOT SCALE FROM THIS DRAWING. ALWAYS WORK TO NOTED DIMENSIONS.
 - ALL DIMENSIONS ARE IN MILLIMETRES UNLESS NOTED OTHERWISE.
 - ALL DIMENSIONS MUST BE READ IN CONJUNCTION WITH ALL RELEVANT ARCHITECTS, STRUCTURAL ENGINEERS, MEP DRAWINGS AND SPECIFICATIONS.
 - ANY DISCREPANCIES BETWEEN DRAWINGS AND SPECIFICATION OR RELATED DOCUMENT, THE ENGINEER SHALL BE NOTIFIED IN WRITING FOR VERIFICATION OF DISCREPANCY WITH THE RELEVANT STATUTORY REGULATIONS, BUILDING REGULATIONS, BRITISH STANDARDS, ACCEPTED CODES OF PRACTICE AND TRADE ASSOCIATION REQUIREMENTS.
 - IT IS THE CONTRACTORS RESPONSIBILITY TO LAISE WITH THE MAIN CONTRACTOR AND ALL OTHER TRADES TO ENSURE THE CORRECT CO-ORDINATION OF THE WORKS, AND TO AVOID CLASHES.



1 LEVEL-06-PV LAYOUT BL
1 : 100



Revision	Description	Date
Drawing Status: PRELIMINARY		
PSH www.pshconsulting.co.uk London Office: 10 Devonshire Square, London EC2N 4XP, T. 0203 039 3840, E. info@pshconsulting.co.uk Wokingham Office: 6 Alexandra Court, Wokingham, Berkshire, RG40 2SL, T. 0118 977 4747, E. info@pshconsulting.co.uk		
Client: LAZARI INVESTMENTS LTD		
Project: BRUNSWICK CENTRE		
Title: LEVEL 06 SHEET 03 PV SERVICES LAYOUT		
Drawn: YV	Chk/Appr: AMCC	Date: Issue Date
Rev: 3608-PSH-ZZ-06-DR-E-9101-3	Scale: As	Issue Date: 2024-08-08
Drawing No: 3608-PSH-ZZ-06-DR-E-9101-3		