

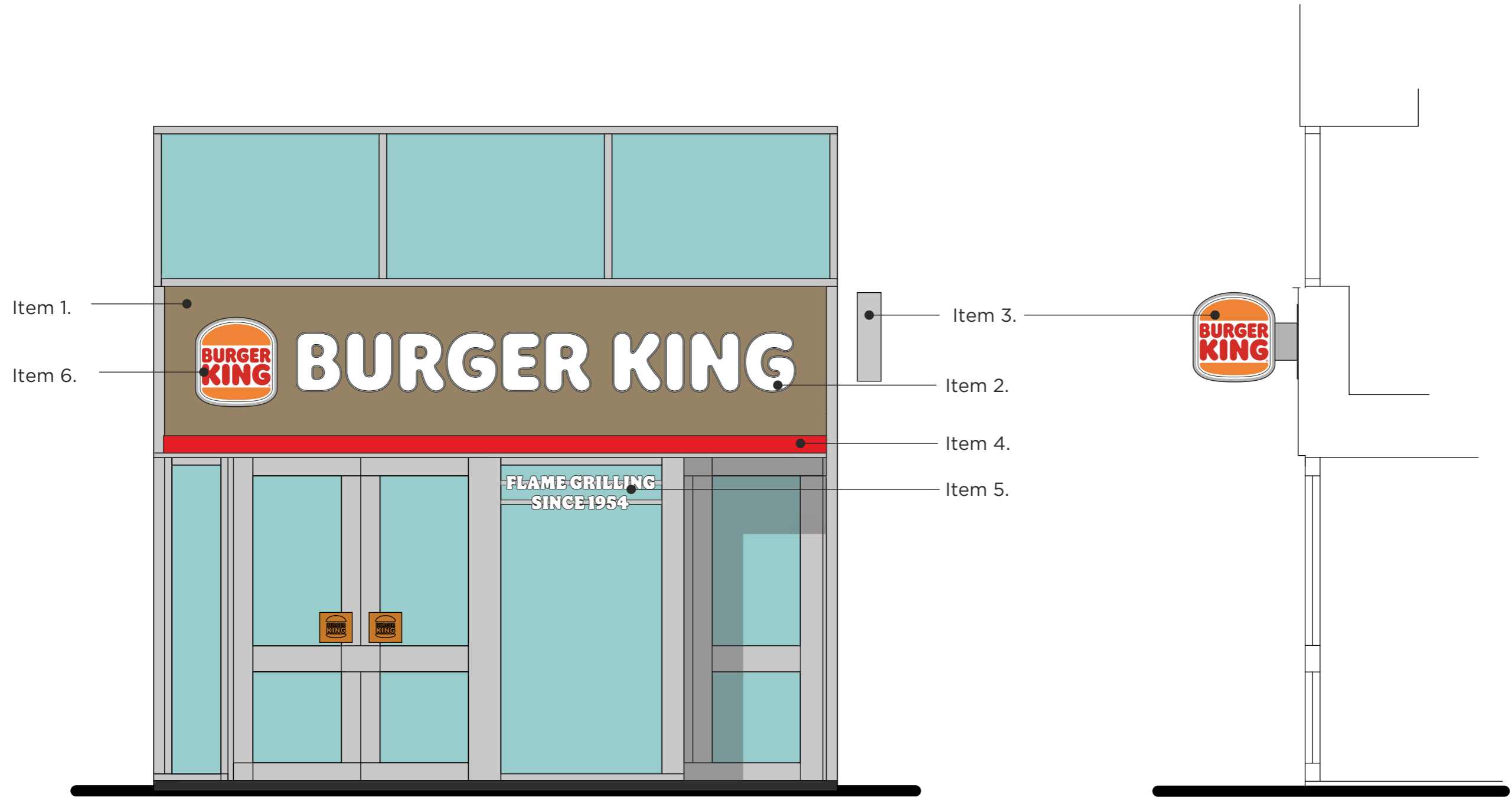


BURGER KING
Kingsway
PS10131



CUSTOMER/SITE		BK KINGSWAY		PROJECT/PRODUCT		PROPOSED SIGNS		
JOB No	C-PS10131-01	SCALE		PAGE SIZE	A3	PAGE No	1 / 7	
							all dimensions are in mm unless otherwise stated	
REV	FIRST ISSUE			DATE	04/09/2023	DRAWN BY		CJ
A	LOGO ADDED TO FASCIA			DATE	07/09/2023	DRAWN BY		CJ
B	SIZES & SPEC AMENDED TO SUIT SURVEY			DATE	12/09/2023	DRAWN BY		K C
				DATE		DRAWN BY		
				DATE		DRAWN BY		

Copyright IVC Signs Ltd. No part of this drawing may be copied or reproduced without the express written permission of IVC Signs Ltd.

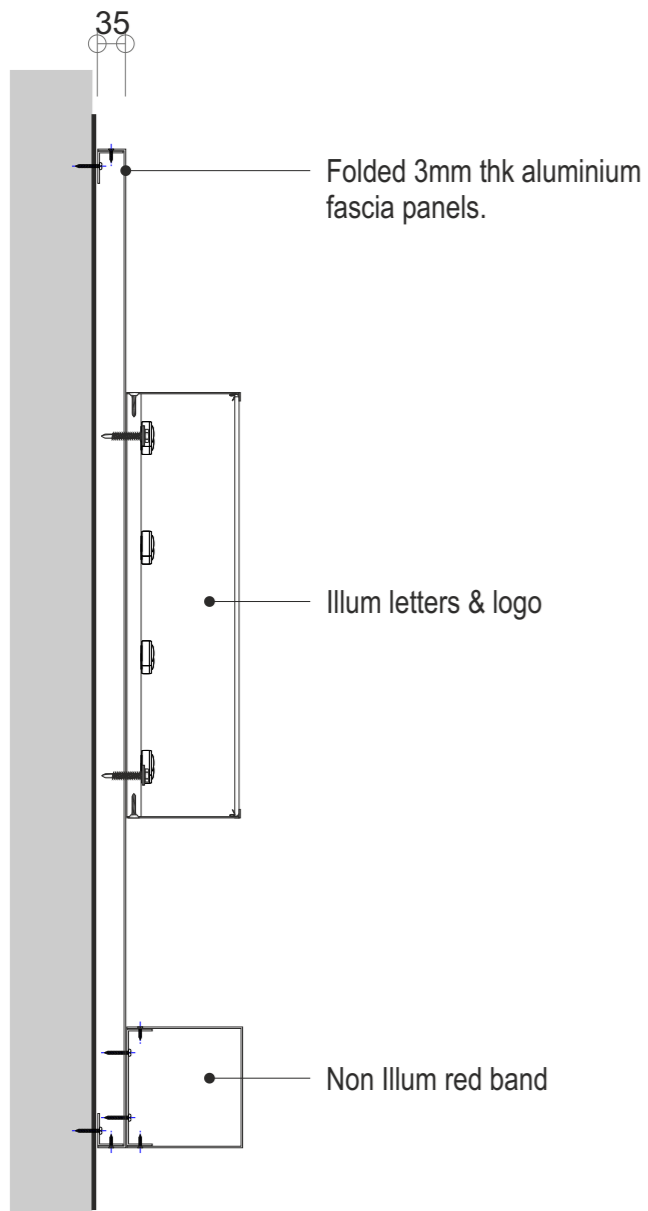


PROPOSED FRONT ELEVATION

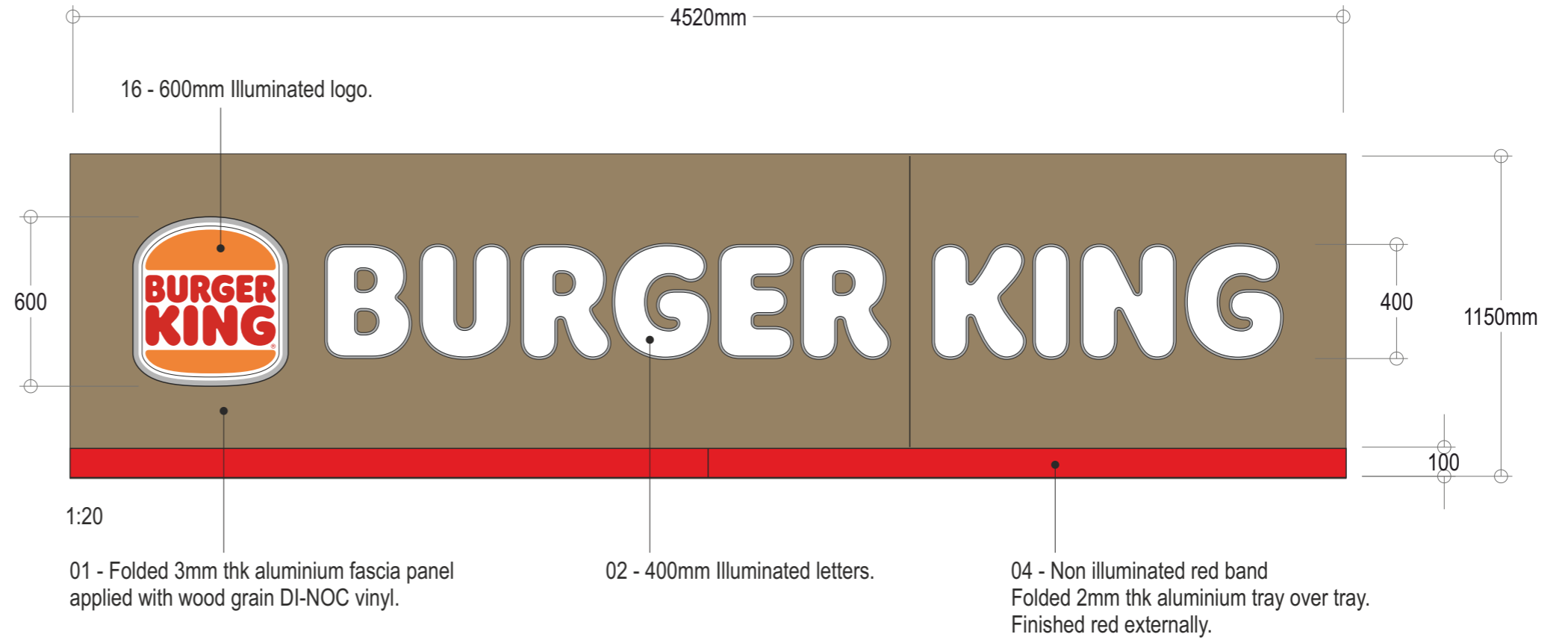
1:30

CUSTOMER/SITE			PROJECT/PRODUCT		
BK KINGSWAY			PROPOSED SIGNS		
JOB No	SCALE	PAGE SIZE	PAGE No	all dimensions are in mm unless otherwise stated	
C-PS10131-01	1:30	A3	2 / 7		
REV	DATE	DRAWN BY			
	FIRST ISSUE	04/09/2023		CJ	
A	LOGO ADDED TO FASCIA	07/09/2023		CJ	
B	SIZES & SPEC AMENDED TO SUIT SURVEY	12/09/2023		K C	

01 & 04 - Fascia Panels & Red Band



Section 1:8



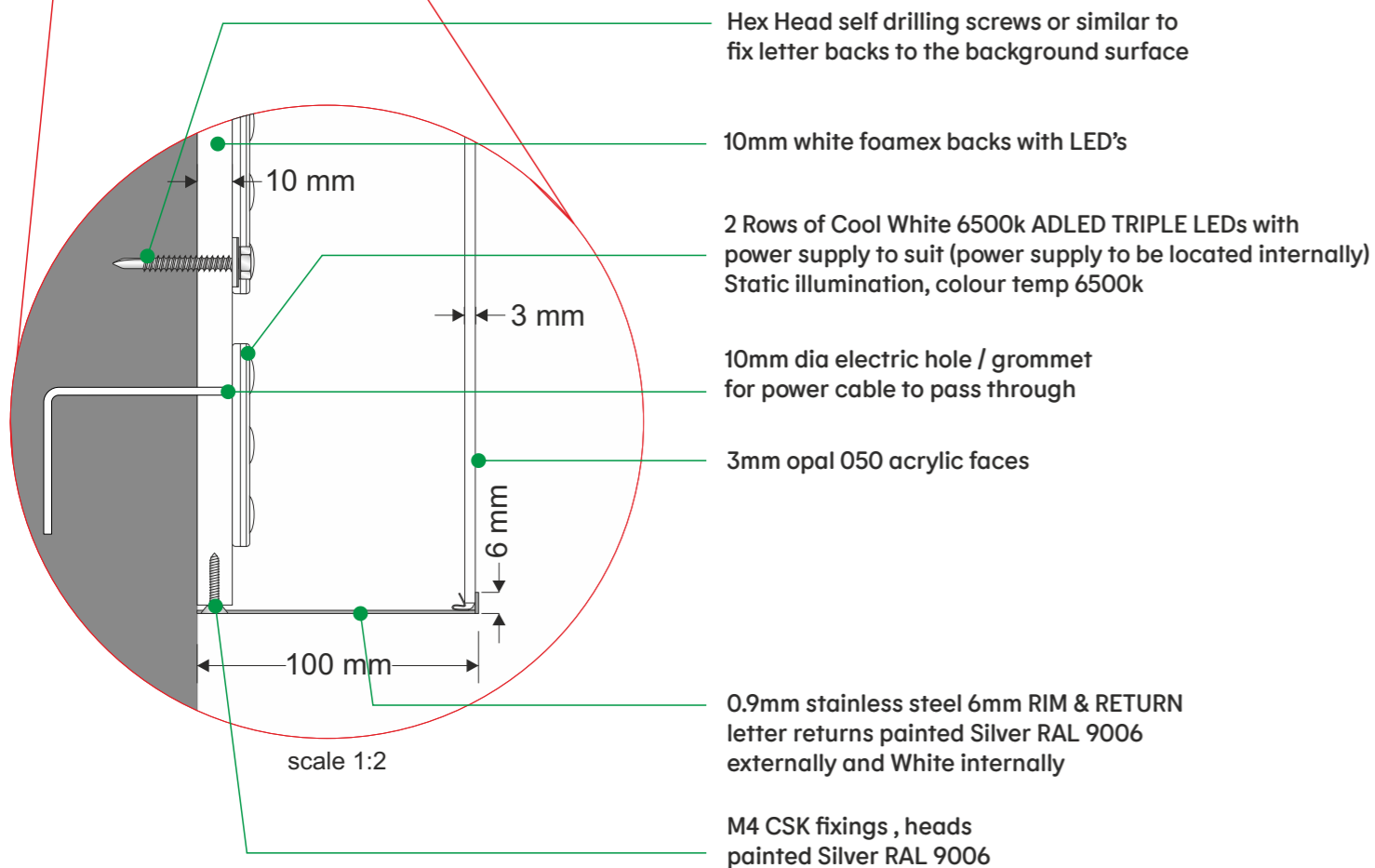
CUSTOMER/SITE		BK KINGSWAY		PROJECT/PRODUCT		PROPOSED SIGNS	
JOB No	C-PS10131-01	SCALE	1:20	PAGE SIZE	A3	PAGE No	3 / 7
							all dimensions are in mm unless otherwise stated
REV	FIRST ISSUE		DATE	04/09/2023		DRAWN BY	
A	LOGO ADDED TO FASCIA		DATE	07/09/2023		CJ	
B	SIZES & SPEC AMENDED TO SUIT SURVEY		DATE	12/09/2023		K C	
			DATE				
			DATE				

02 - 400mm Burger King Letters Internally illuminated



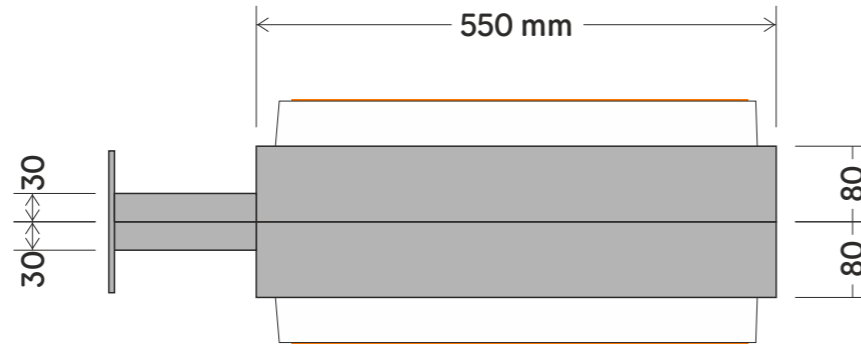
Face illuminated RIM & RETURN 400mm "B" BURGER KING letters

SUPPLY FIXING LAYOUT FOR FITTERS

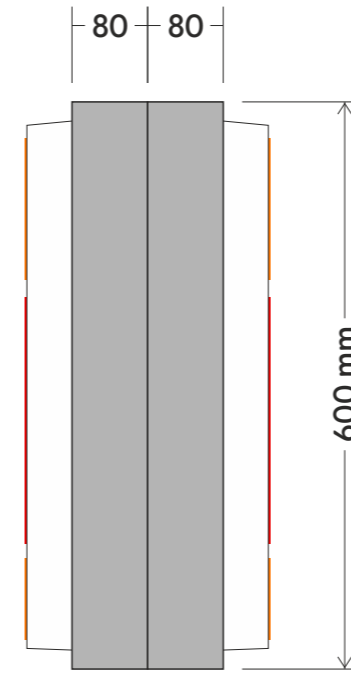
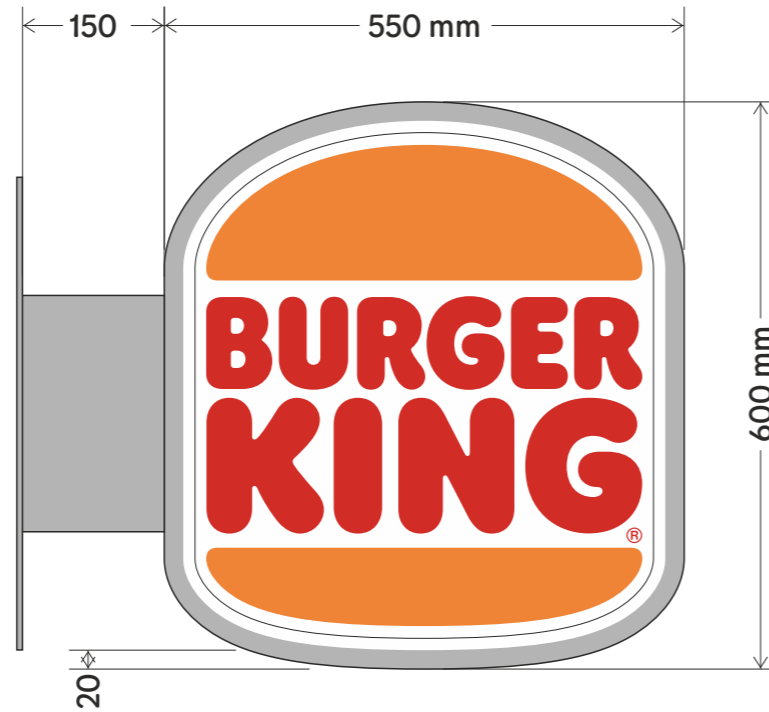


CUSTOMER/SITE		BK KINGSWAY		PROJECT/PRODUCT		PROPOSED SIGNS	
JOB No	C-PS10131-01	SCALE	1:10	PAGE SIZE	A3	PAGE No	4 / 7
all dimensions are in mm unless otherwise stated							
REV	FIRST ISSUE		DATE	04/09/2023		DRAWN BY	
A	LOGO ADDED TO FASCIA		DATE	07/09/2023		CJ	
B	SIZES & SPEC AMENDED TO SUIT SURVEY		DATE	12/09/2023		K C	

03 - 600mm BK Bun Logo Projection Sign



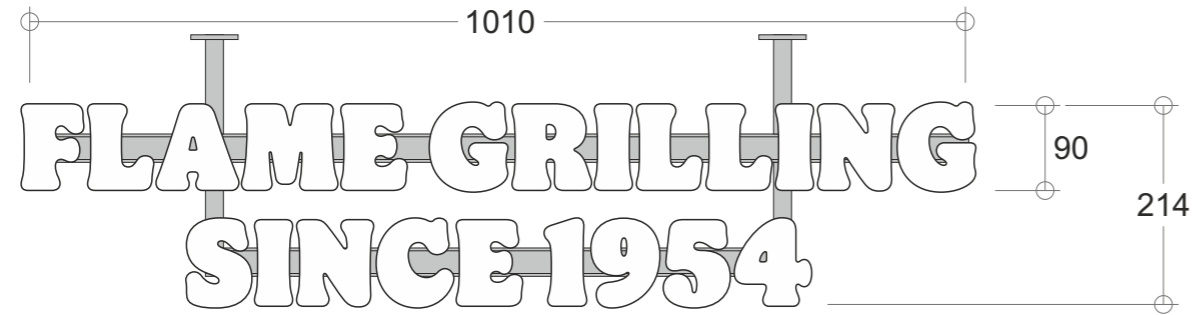
bonded 2mm 20x20mm aluminium angle to the internal edges with 4no. CSK fixings to install acrylic logo to the angles before installing face rims (construction as per 600mm standard bun wall mounted bun logo)



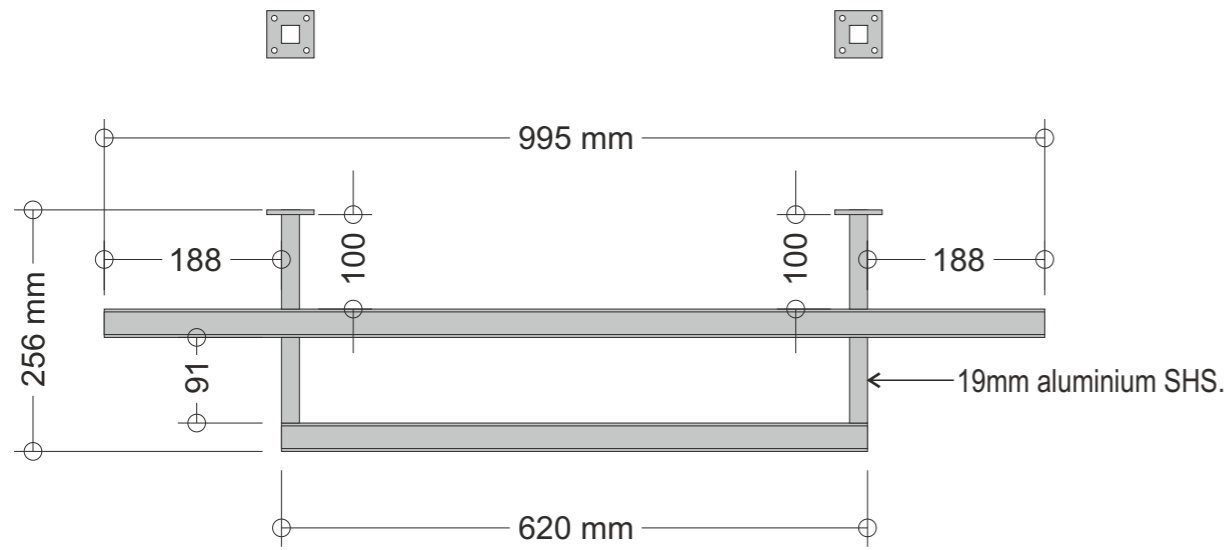
2mm aluminium rim, return & shroud coated Silver RAL 9006 with vacuum formed Burger King bun logos from 5mm clear acrylic reverse decorated in Poppy Red 3M 3630-143, Tangerine 3M 3630-84 & White translucent vinyls internally illuminated via 5000k White LEDs & power supply to suit mounted to a 3mm White ACM carrier panel.

CUSTOMER/SITE		BK KINGSWAY		PROJECT/PRODUCT		PROPOSED SIGNS	
JOB No	C-PS10131-01	SCALE	1:8	PAGE SIZE	A3	PAGE No	5 / 7
all dimensions are in mm unless otherwise stated							
REV	FIRST ISSUE		DATE	04/09/2023		DRAWN BY	
A	LOGO ADDED TO FASCIA		DATE	07/09/2023		CJ	
B	SIZES & SPEC AMENDED TO SUIT SURVEY		DATE	12/09/2023		K C	

05 - FGS1954 Illuminated Letters



Internally illuminated letters to raceways.



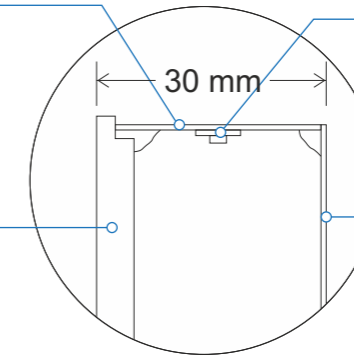
Frame sizes. All framework to be coated silver RAL 9006

0.7mm descaled stainless steel letter returns coated white RAL 9003 Internally for illumination & externally silver RAL 9006

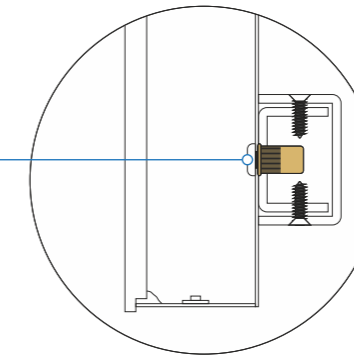
5mm 050 acrylic letter faces to be fully covered in perforated silver "Day to Night" vinyl that allows them to appear silver in the day and illuminated white at night with 3mm wide x 2.5mm deep rebates to the rears

White S bend LEDs with remote power supply to suit

0.7mm descaled stainless steel letter backs coated white RAL 9003 Internally for illumination & externally silver RAL 9006

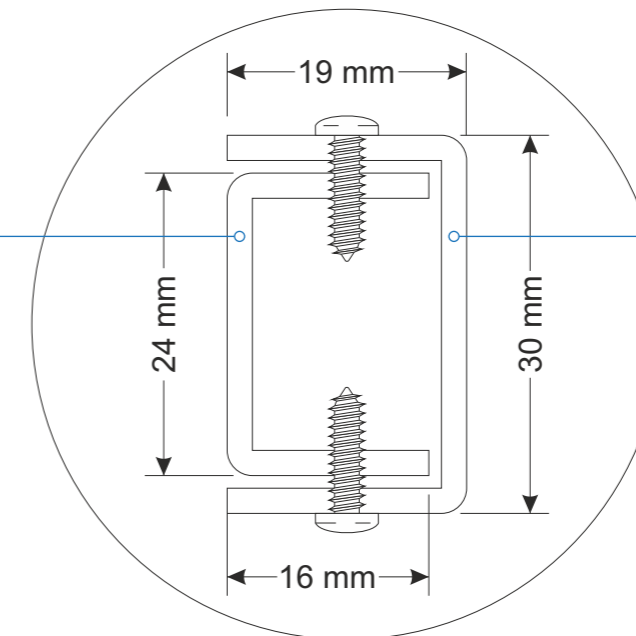


Backs of the letters fixed to the framework using M3 fixings & avdels



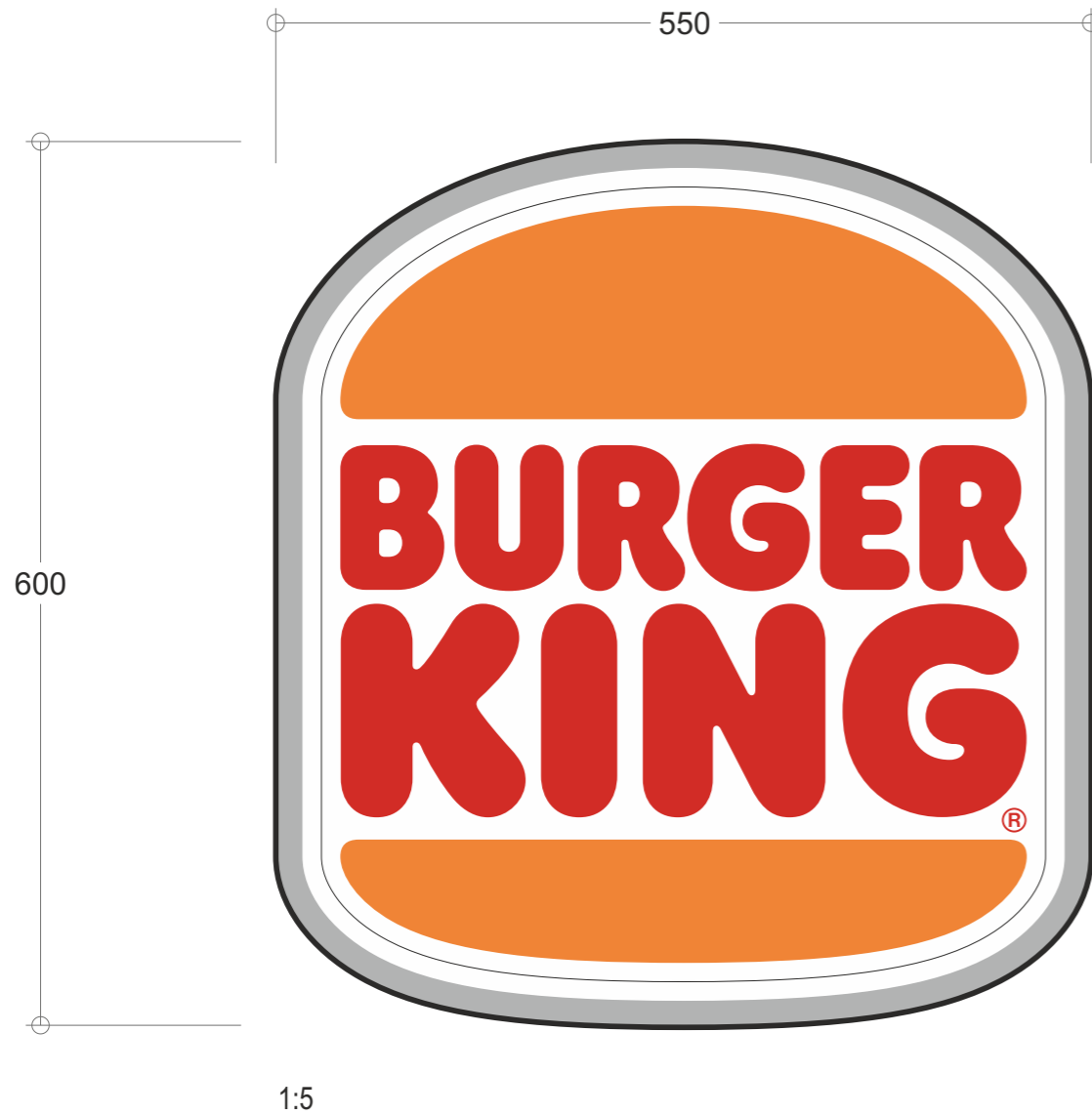
Face of rail

Rear of rail



CUSTOMER/SITE		BK KINGSWAY		PROJECT/PRODUCT		PROPOSED SIGNS	
JOB No	C-PS10131-01	SCALE	1:8	PAGE SIZE	A3	PAGE No	6 / 7
							all dimensions are in mm unless otherwise stated
REV	FIRST ISSUE		DATE	04/09/2023	DRAWN BY		
A	LOGO ADDED TO FASCIA		DATE	07/09/2023	CJ		
B	SIZES & SPEC AMENDED TO SUIT SURVEY		DATE	12/09/2023	K C		

06 - 600mm Internally Illuminated Burger King Bun Logo



13mm white foamex back to hold cool white LED's holes pre-drilled into the foamex for the c channel and a 18mm hole to allow fitters to see the 7mm dia hole within the ali brackets to fit to wall

White LEDs & power supply to suite (power supply to be hidden in the internally) illumination will be static & has a colour temp of 5000k

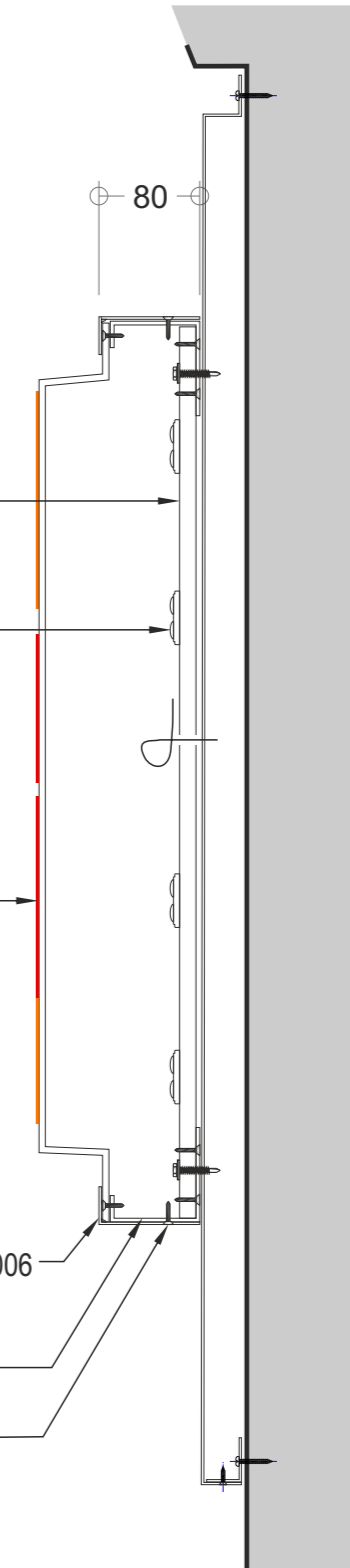
10mm dia electric hole / grommet for power cable to pass through

Distortion vacuum formed face panel and embossed 5mm clear polycarbonate bun logo decorated with 3M vinyl corporate colours fitted upon the 3mm aluminium fixing angles.

2mm aluminium rim & return built up logo painted Silver RAL 9006

3mm aluminium C Channel 21 x 71 x 75mm

M4 CSK fixings, heads painted Silver RAL 9006



CUSTOMER/SITE		BK KINGSWAY		PROJECT/PRODUCT		PROPOSED SIGNS	
JOB No	C-PS10131-01	SCALE	1:5	PAGE SIZE	A3	PAGE No	7 / 7
							all dimensions are in mm unless otherwise stated
REV	FIRST ISSUE		DATE	04/09/2023		DRAWN BY	
A	LOGO ADDED TO FASCIA		DATE	07/09/2023		CJ	
B	SIZES & SPEC AMENDED TO SUIT SURVEY		DATE	12/09/2023		K C	
			DATE				