



**UCL ESTATES**  
FACILITIES & INFRASTRUCTURE  
ENGINEERING, MAINTENANCE & INFRASTRUCTURE



# **IOE 20 BEDFORD WAY (UGC: 162) BAR LIGHTING REPLACEMENT**

## **PROJECT OUTLINE AND PHOTOGRAPHIC SCHEDULE REPORT**

20 BEDFORD WAY,  
LONDON, WC1H 0AL

12<sup>TH</sup> JUNE 2023



## **CONTENTS**

1. Project Outline
2. Floor Plans
  - 2.1 – Site Location
  - 2.2 – Level 5 and 6 layout drawing
3. Site Location - Existing Photos Level 5
4. Site Location – Existing Photos Level 6
5. Site Location - Proposed Photo Level 5
  - 5.1 – Typical arrangement
  - 5.2 – With emergency luminaire arrangement
6. Site Location – Proposed Photo Level 6
  - 6.1. Typical arrangement
  - 6.2. Proposed containment
7. Product Data Sheets
  - 7.1 – A Type luminaire
  - 7.2 – B Type luminaire
  - 7.3 – EM Type luminaire



## 1. Project Outline

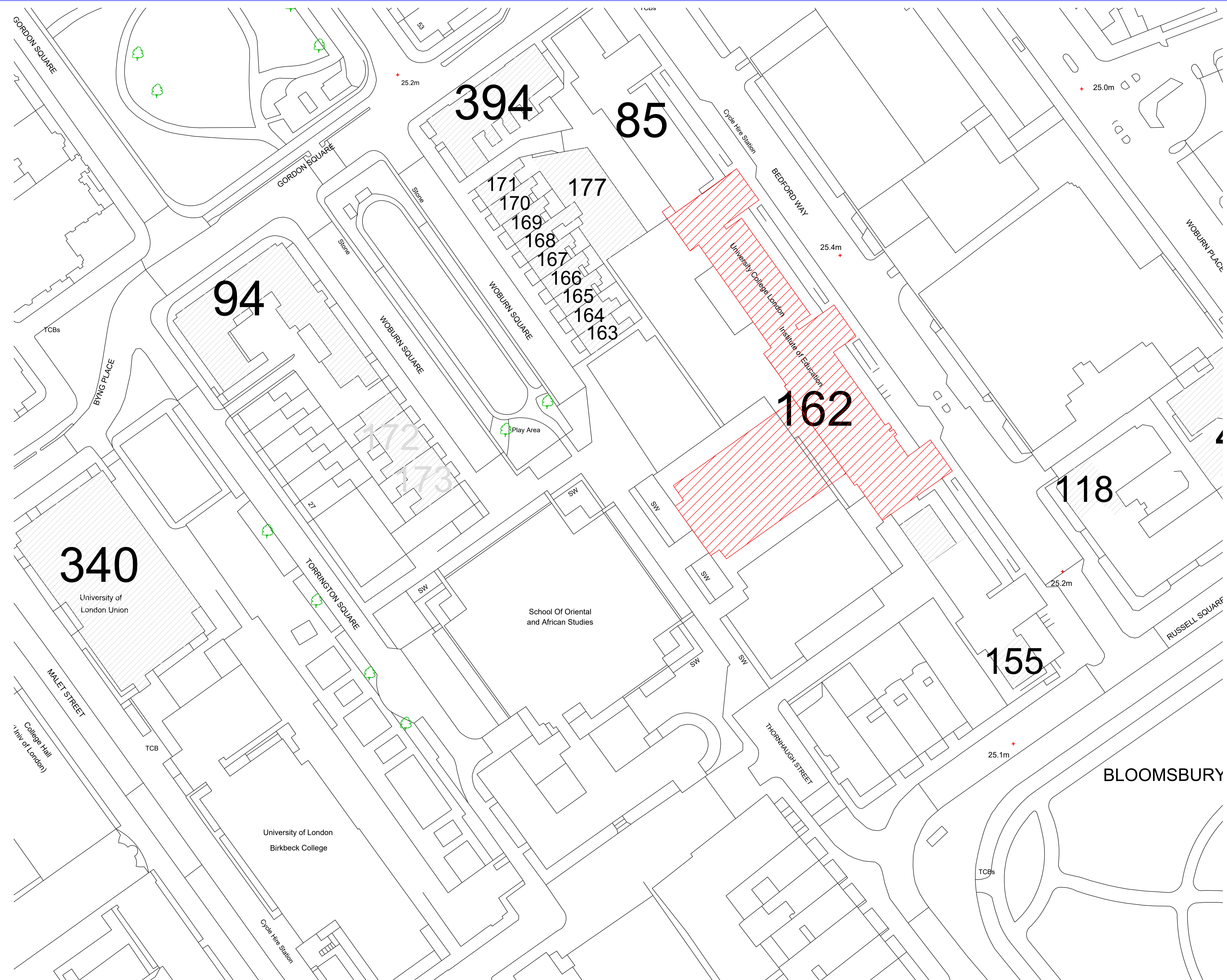
UCL IOE Bar Lighting Replacement Project is a set of works to replace existing lighting and emergency lighting for new in the external bar area on levels 5 and 6.


There is existing lighting onsite. New lighting is proposed to replace existing in the same locations on level 5, along with new locations on level 6. The space itself is UCL property and is used by students, staff and visitors.

The new lighting will require some additional containment as outlined in Section 2 of this report. Where possible, existing containment will be utilised.

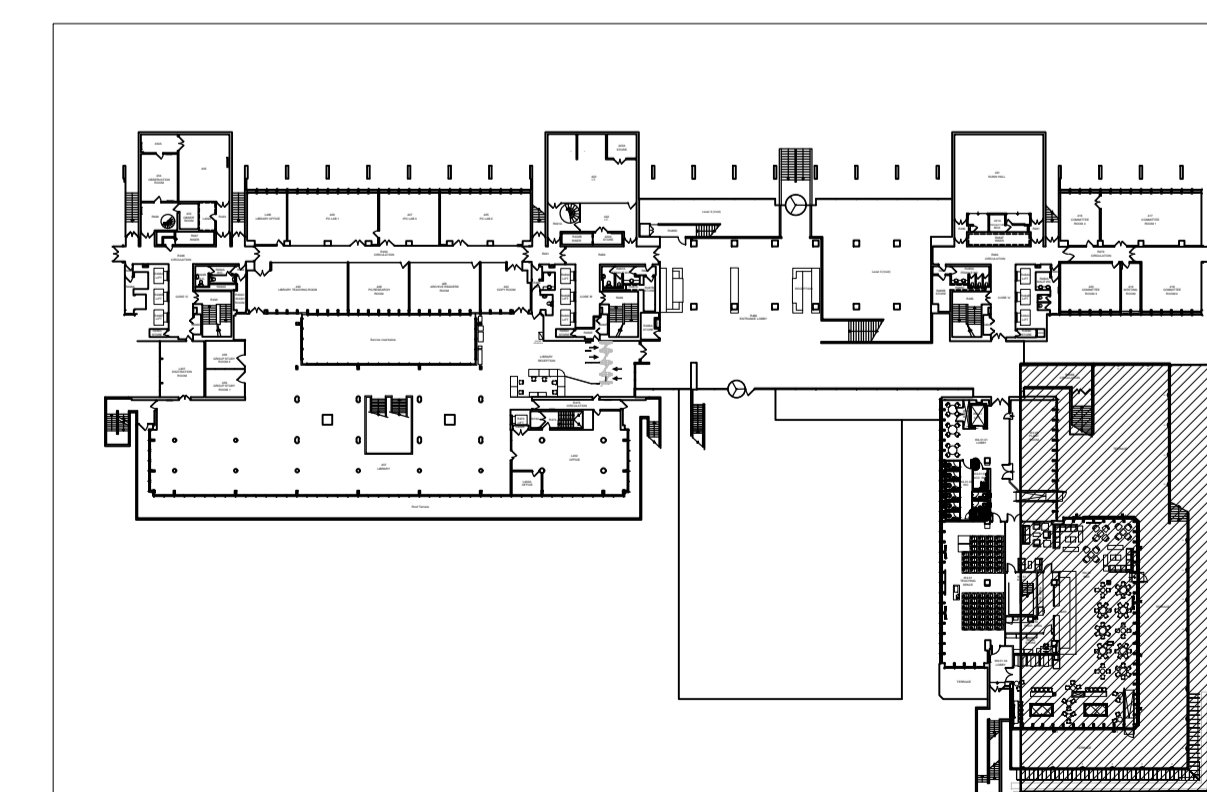
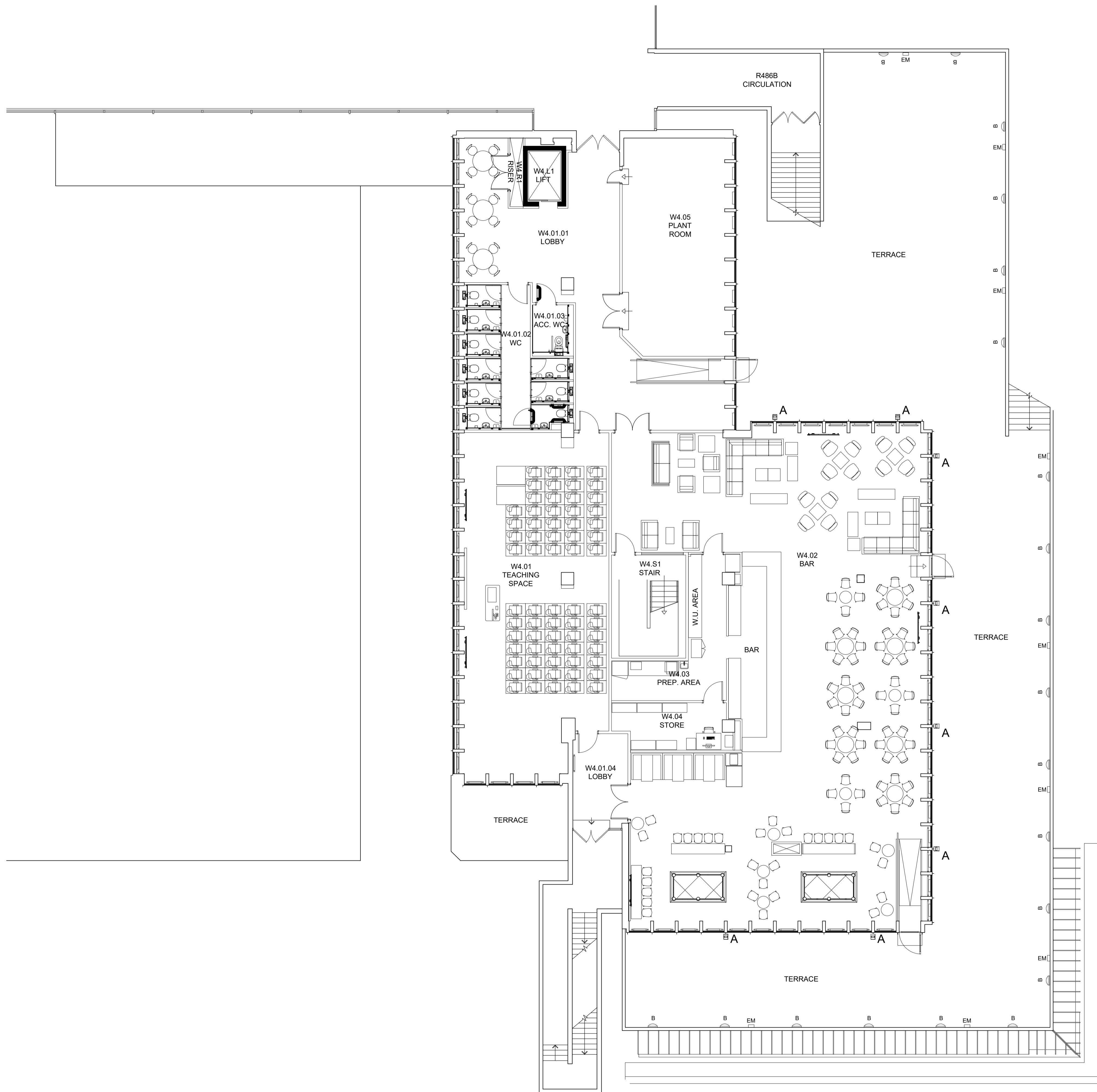
New containment is initially proposed to be 20mm galvanised steel conduit to suit the existing infrastructure and to keep the area aesthetically pleasing.

The areas have been photographed and the proposed equipment has been superimposed to demonstrate how the works will look once complete.




DRAWING STATUS: DESIGN DRAWING		
 <b>ALPINE WORKS LIMITED</b> ELECTRICAL AND MECHANICAL CONTRACTORS 23-25 High Street Ewell Village, Epsom, Surrey KT17 1SB Tel: 020 8644 2014 mail@alpineworks.co.uk <a href="http://www.alpineworks.co.uk">www.alpineworks.co.uk</a>		
CLIENT: UNIVERSITY COLLEGE LONDON ESTATES GOWER STREET LONDON WC1E 6BT		
PROJECT: 10E 20 BEDFORD WAY UPGRADING OF EXTERNAL LIGHTING		
TITLE: REAR BAR TERRACE PROPOSED LIGHTING SITE LOCATION PLAN		
SCALE: 1:75 @ A1	CHECKED: AS	APPROVED: AS
CAD FILE:	DRAWN: HB	DATE: May 23
PROJECT No:	DRAWING No:	REV:
	ALP-20BED-EXT-LTG-004	



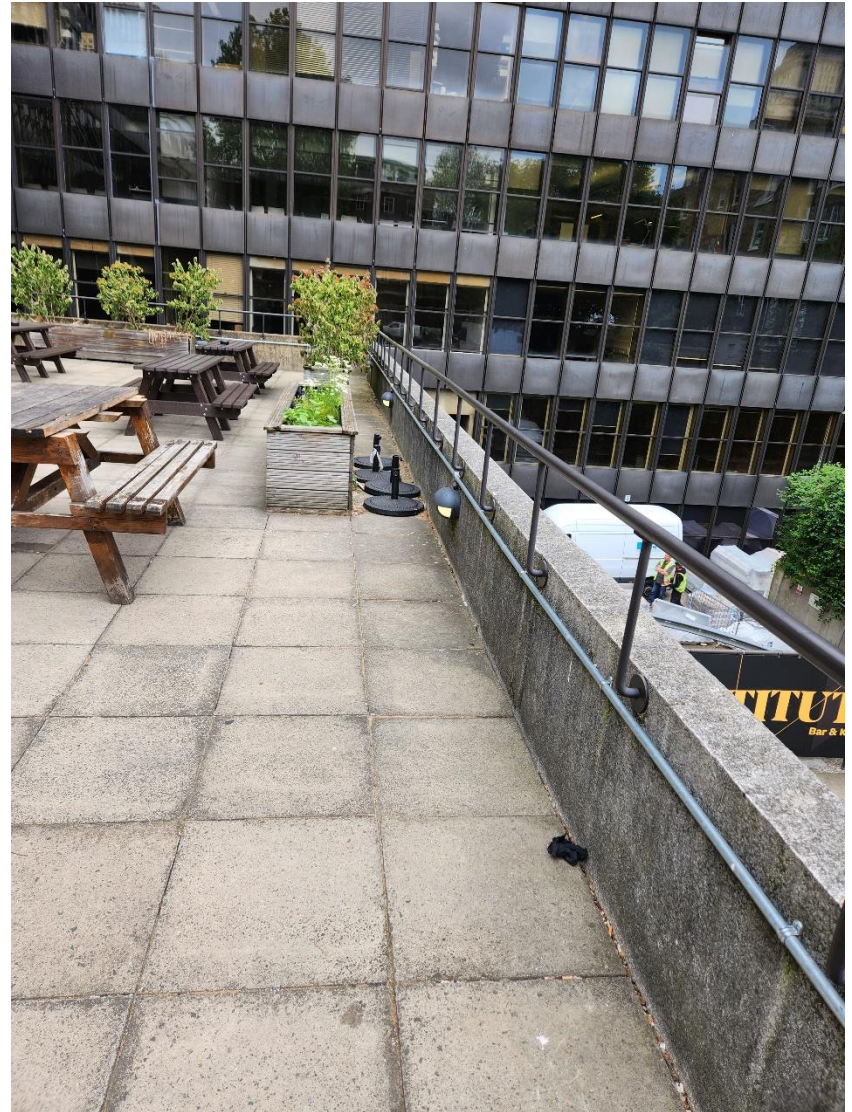
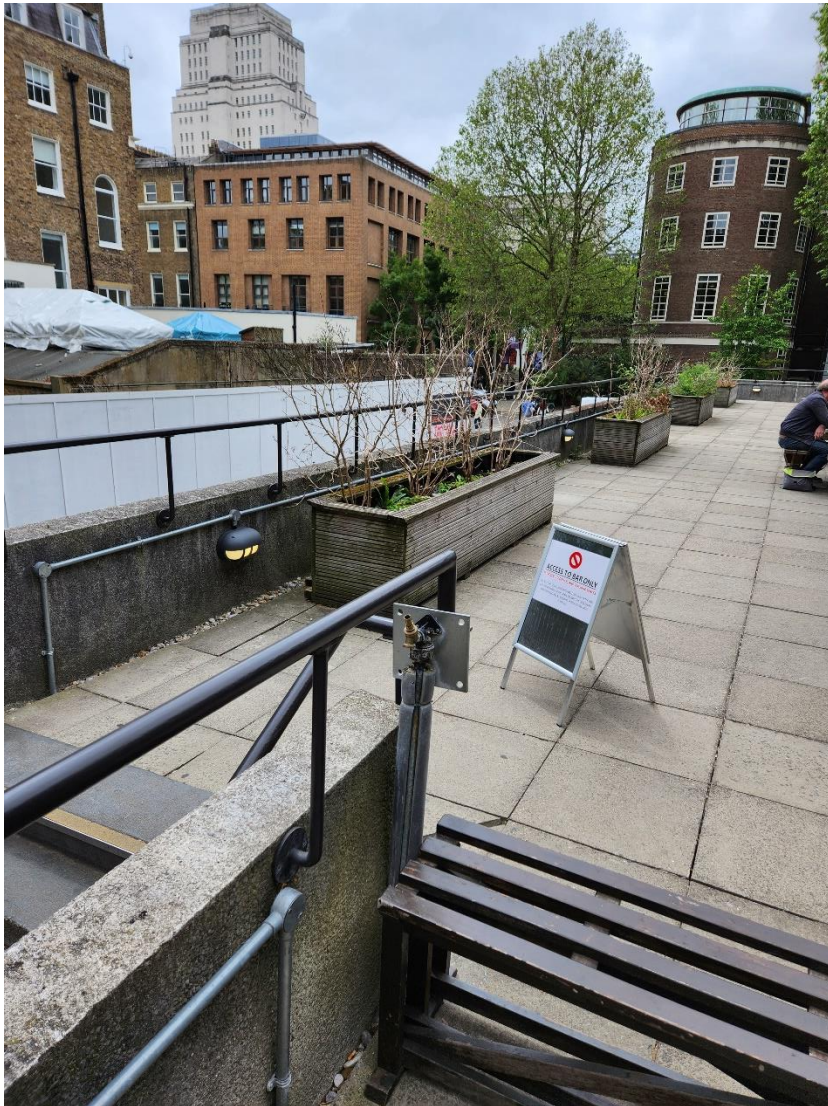


SITE LOCATION PLAN NTS @ A1

DRAWING STATUS: <b>DESIGN DRAWING</b>		
 <b>ALPINE WORKS LIMITED</b> ELECTRICAL AND MECHANICAL CONTRACTORS 23-25 High Street Ewell Village, Epsom, Surrey KT17 1SB Tel: + 020 8644 2014 mail@alpineworks.co.uk www.alpineworks.co.uk		
CLIENT: <b>UNIVERSITY COLLEGE LONDON ESTATES GOWER STREET LONDON WC1E 6BT</b>		
PROJECT: <b>10E 20 BEDFORD WAY UPGRADING OF EXTERNAL LIGHTING</b>		
TITLE: <b>REAR BAR TERRACE PROPOSED LIGHTING</b>		
SCALE @ SIZE: NTS @ A1	CHECKED: AS	APPROVED: AS
CAD FILE:	DRAWN: HB	DATE: May 23
PROJECT No:	DRAWING No: ALP-20BED-EXT-LTG-001	REV:



3. Site Location – Existing Photos Level 5

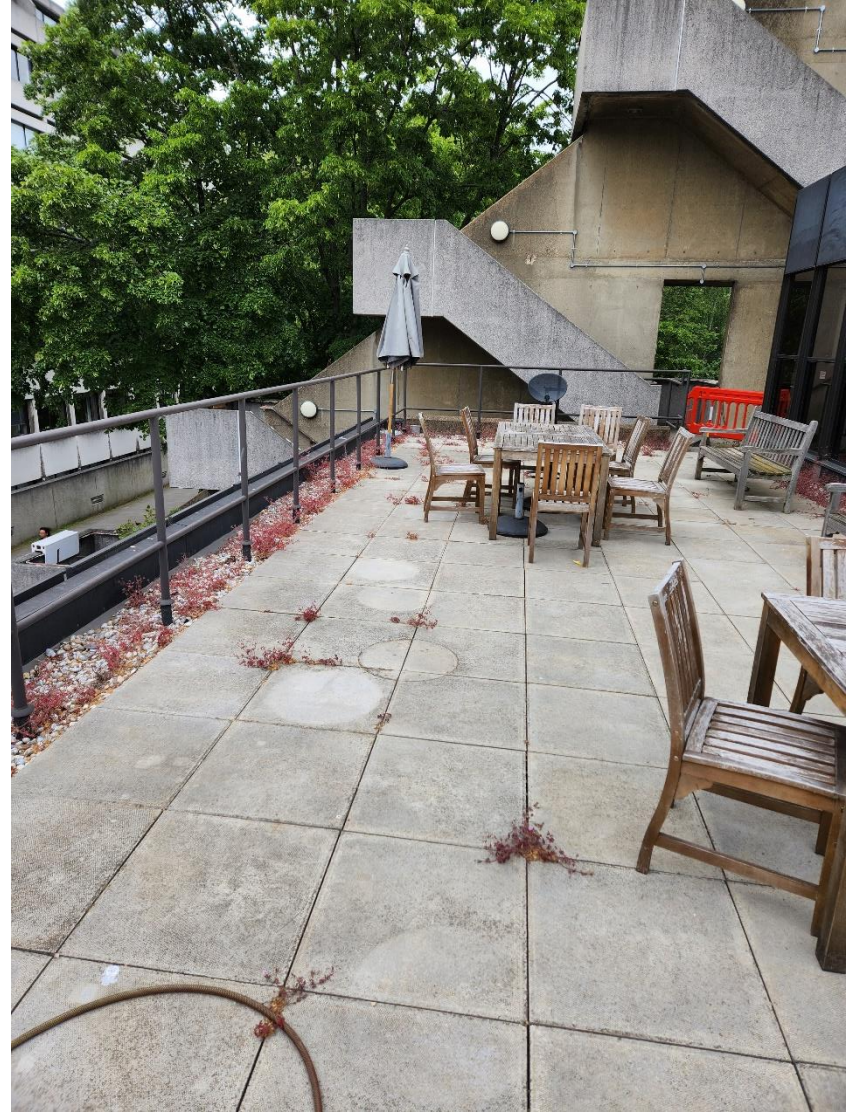




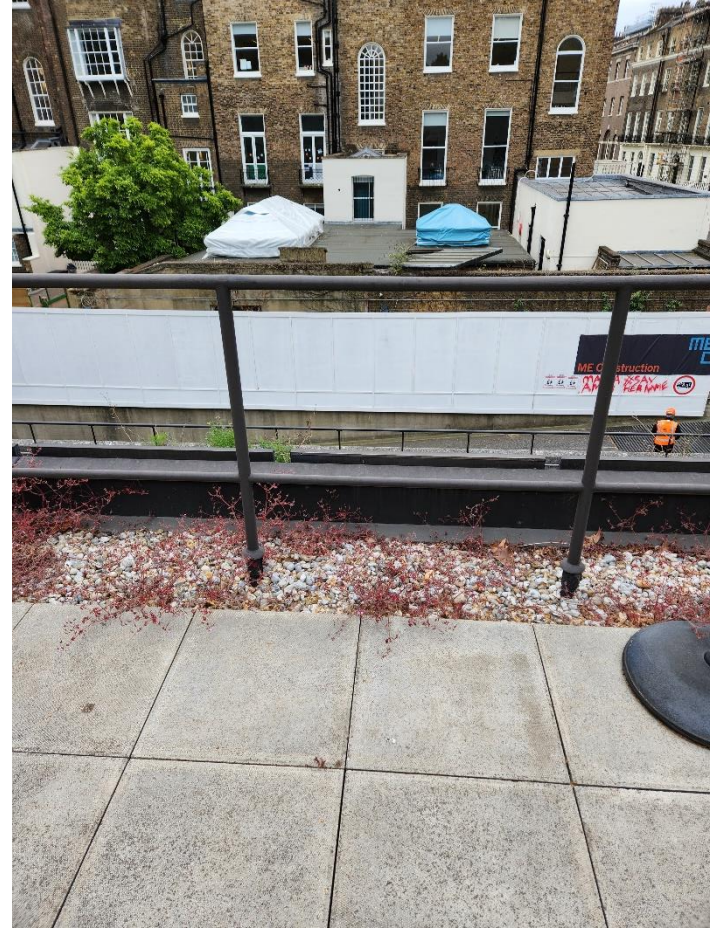
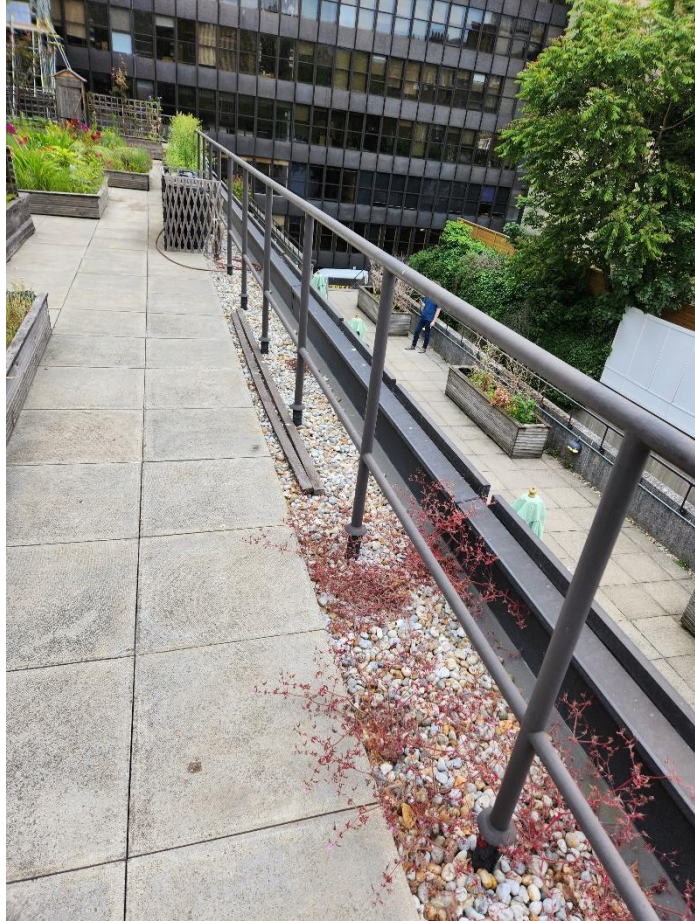




4. Site Location – Existing Photos Level 6









5.1 Site Location – Proposed Photo Level 5 – Typical





5.2 Site Location – Proposed Photo Level 5 – With emergency luminaire arrangement

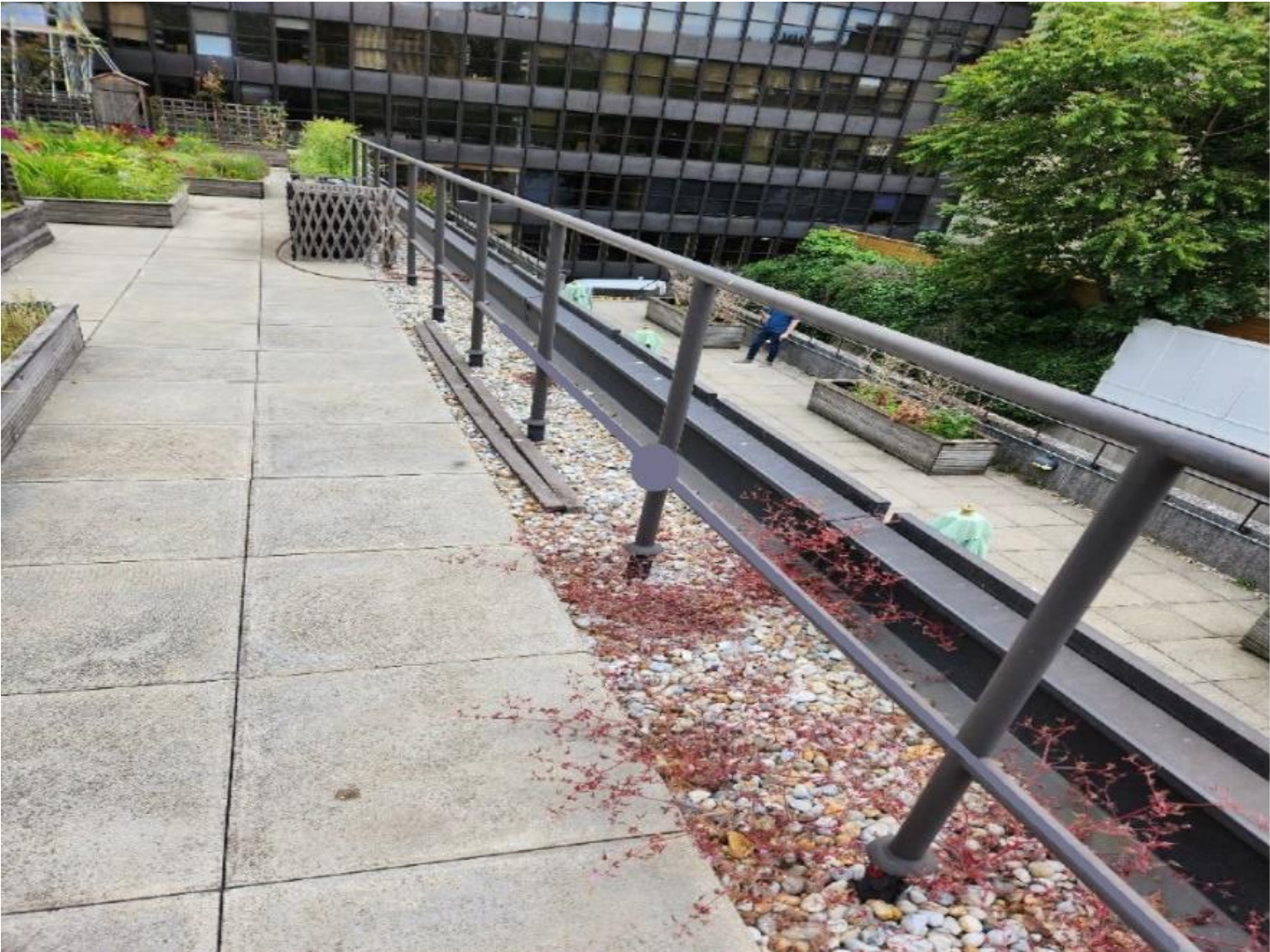


6.1 Site Location – Proposed Photo Level 6 – Typical arrangement





6.2 Site Location – Proposed Photo Level 6 – Proposed containment



# Concord

## Raiden IP66 3KLM 830 Asymmetric Wide 2824002



### Features

- Outdoor and indoor floodlight range with in house design, comes complete with 1m flying lead and adjustable bracket, aluminium housing, RAL 9022 - Pearl light grey, clear glass diffuser, IP66, IK08, Class I, 3000K, Non-dimming, 3100lm, 26W, 119lm/W, CRI80, Asymmetric Wide beam angle 110\*50°, 100000 hrs L90B50 lifespan, 254x203x68mm (LxWxH) dimensions, 2.1kg weight. Ball-impact-resistance according to DIN57710-13 VDE 0710 13/5.81, DIN 18032-3 only with the separate wire guard accessory fitted.

### Product Overview

Product name	Raiden IP66 3KLM 830 Asymmetric Wide
Technology	LED
Cap/Base	N/A
Housing	Aluminium
General application	Logistics & Industry
ETIM Class	EC001744
Fixture luminous flux (lm)	3100
Luminaire efficacy (lm/W)	119
Colour temperature (K)	3000
Light colour	Warm White
CRI (Ra)	80
Colour Variation Initial (SDCM)	3
Beam Angle (°)	110*50
Photobiological Risk Group	RG1
Total power consumption (W)	26
Electrical protection	Class I
Dimmable	No
Housing colour	RAL 9022 - Pearl light grey

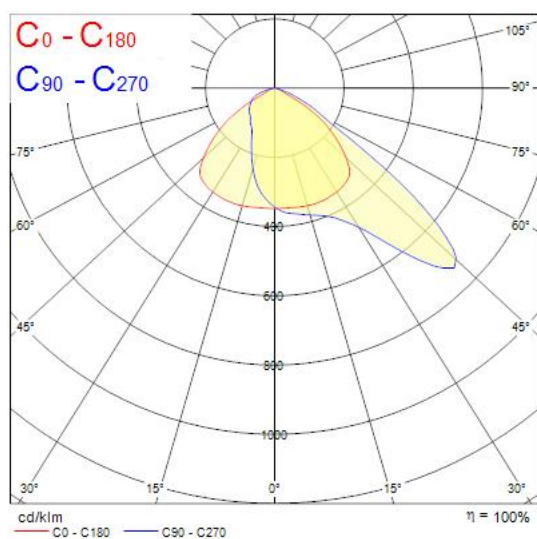


# Concord

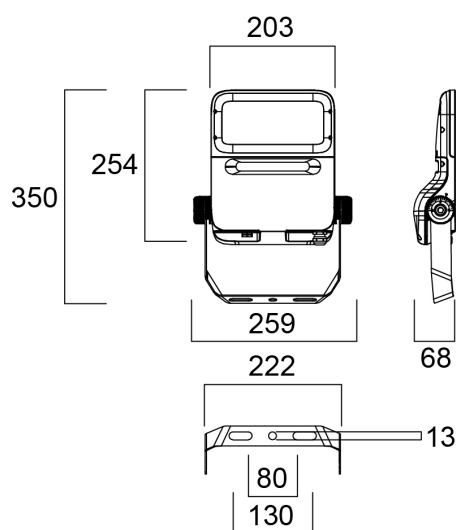
## Raiden IP66 3KLM 830 Asymmetric Wide 2824002

IP rating	IP66
IK rating	IK08
Product EAN number	5025768240029
Warranty	5 years
Dimming method	N/A

### Photometry



### Technical drawings



**VEDO ROUND****Project - Reference Number**

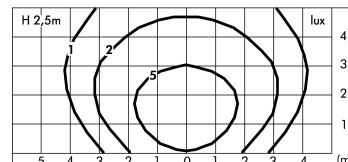
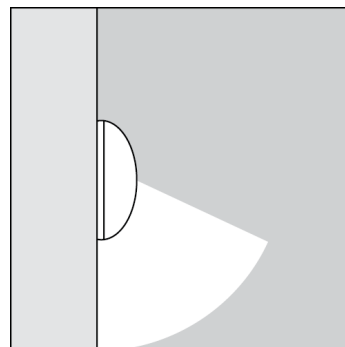
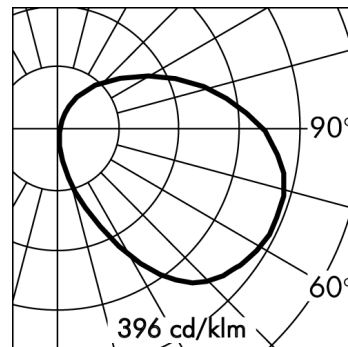
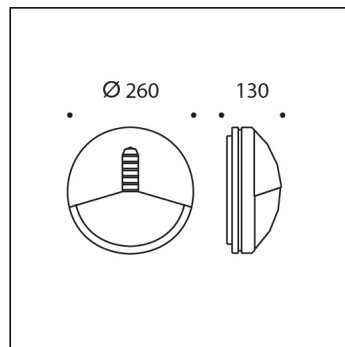
20 Bedford Way OP2 - 32-1000-163425

Quantity n° 20 pcs

**Architect / Designer:**

Sylvania

Tel.: 07967358411 - E-mail: guy.dehavilland@sylvania-lighting.com



Available subject to stock levels

**S.6850W.14 (Aluminium grey)**module LED 3000K 230-240Vac **DIMMABLE PHASE-CUT**

Wall mounted

**Light Source Technical Data**

Light source type:	LED
Colour temperature:	3000K
Rated module luminous flux:	1150lm
Rated luminaire luminous flux:	386lm
Rated luminaire power:	13.5W
Luminaire efficacy:	29lm/W
Color Rendering Index:	CRI 90

Standard Deviation Color Matching: MacAdam step 3

**Power Supply Technical Data**

Voltage (AC):	230-240Vac
Frequency (AC):	50/60Hz
Dimmable:	PHASE-CUT

**Technical Installation Data**

Electrical insulation class:	I
Protection class IP:	IP55
Mechanical resistance:	IK06
Weight:	2.51Kg

**Temperature and life time Technical Data**

LED Lifetime:	L80 B10 70.000h Ta 25°C L80 B10 50.000h Ta 40°C
Lifespan of the LUMINAIRE:	min. 50.000h Ta 40°C
Performance ambient temperature:	Tq 25°C
Operating ambient temperature range:	da -20°C a +50°C
Storage temperature range:	da -20°C a +60°C



**VEDO ROUND****S.6850W.14 (Aluminium grey)****SPECS SHEET****LUMINAIRE TYPE**

Wall mounted luminaire. IP rating IP 55

**MATERIAL CHARACTERISTICS**

Aluminium die cast housing in EN AB-47100 (low copper content) with high resistance against corrosion. Stone wash surface treatment prior to painting process. A4 grade Stainless Steel screws with 2,5-3% molybdenum content which increases the resistance against corrosion. EPDM gaskets. Painting Process : 3 Step Process

1) Surface treatment with BONDERITE. A heavy metal free chemical surface treatment containing ceramic nano particles giving a cohesive, inorganic and highly dense protective coating. 2) PRE POLYMERIZATION a process of introducing an epoxy primer with excellent characteristics to the paint which also offers very high resistance to oxidation due to its Zinc content. 3) POLYMERIZATION a process with the application of polyester powder with high resistance against UV rays and harsh weather conditions. Resistance test protection for Marine applications for 1200h. Mechanical resistance IK 06

**LIGHTING PERFORMANCE**

Reflector in 99.98% pure anodized aluminium . Sand blasted glass diffuser (Vandalproof opal polycarbonate diffuser available on request). Lamp fixed position. LOR --

**WIRING**

220V-230V AC 50/60Hz Phase-cut dimmable.

Supply double cable entry. Isolation: CLASS I . Available colours: White (cod.01), Aluminium grey (cod.14). Weight: 2.51 Kg Glow Wire test: 850°C

**LED module included**

**This luminaire contains built-in LED modules. In case of damage or malfunction please contact the manufacturer to receive additional instructions on how to replace and relative spare parts to order. The LED modules cannot be handled in the luminaire by the end user.**

**This product contains a light source of energy efficiency class: F.**

**LED modules are engineered accordingly to the existing regulations of Lumen Maintenance (LM80) and Technical Memorandum (TM21), where uniformity and quality of the light is 70,000 hours referred to L80 B10 Ta 25 ° C (50,000 hours referable to L80 B10 Ta 40°C). Lifespan of the luminaire min. 50,000 hours at 40°C. Performance Ambient temperature Tq 25°C. Operating ambient temperature range is from -20°C to +50°C. Storage temperature range from -20°C to +60°C.**

**ELECTRONIC EQUIPMENT SENSITIVE TO OVERVOLTAGE.**

**We recommend installing surge protection devices "SPD" in the electrical system.** Protection devices prevent the intensity of these phenomena's, protecting the appliances from the risk of being damaged and extending the lifespan. Outdoor luminaires are subject to all types of permanent, temporary, or transient electrical disturbances. Such disturbances can create permanent damage or failure affecting its performance and durability. The surge protection device (supplied by SIMES) is utilized to limit the destructive effect of these phenomena. We suggest that each luminaire must be connected to one protection device at not more than 10m away. For correct coordination of the protections, a surge protection device must also be provided inside the electrical panel of the system (the selection of this device must be carried out from the electrical designer and is not supplied by SIMES).

**VEDO ROUND****S.6850W.14 (Aluminium grey)****ACCESSORIES****S.2498****SURGE PROTECTION DEVICE 10kV CLASS I**

Compatible with all lighting fixtures classified under electrical Protection Class I Rated voltage 230-277V SPD type 2+3 Max Surge Protection 10kV IP67

EACH FIXTURE MUST BE CONNECTED TO ONE SINGLE SURGE PROTECTION DEVICE AT A DISTANCE OF NO MORE THAN 10m AWAY.

**S.2491****DALI RELAY SWITCH for PHASE CUT DIMM 230V LUMINAIRES**

Monochannel Dimmers with Output phase cut. - Input Range: 80-230V AC 50/60Hz. - Max resistive load 1A. \*For Electronic and/or LED Electronic loads consider the maximum half power compared to the nominal value. Example: 220V AC 110W Max. Do not connect inductive loads. Do not connect UPS with output different from Pure Sine Wave. - The device is not equipped with earth connection Protection against accidental contact with live parts is guaranteed by the enclosure. - Cross-section of conductors 14-22 AWG (0.205-2.08 mmq). - Input Controls: DALI x1. - Printed Circuit UL. - Protection Class: IP20. - Standard Dimension 40x80x24.45 mm. - Dimension with accessories 40x100x24.45 mm. - Surge voltage protection. - Over current protection. - Use only in dry conditions IP20 Dimensions 40mm x 80mm x 24mm





# PRODUCT SPECIFICATION

---

AME



---

## INTRODUCTION

---

The AME is an LED emergency bulk head emergency luminaire incorporating lithium batteries for extended lifetime. With a white polycarbonate housing and clear polycarbonate diffuser the AME is both IP65 rated to protect from dust and water and able to withstand light impact. The AME is also available with adhesive legends to ensure that it can be used either for general emergency illumination or for emergency signage and is also available in wireless emergency Reacta-Link variants as well as Autotest and central battery versions.

- CE
- IP65
- IK07

---

## APPLICATION

---

- Commercial / Offices
- Corridor
- Education
- Exterior
- Healthcare / Social Housing
- Hotel / Leisure
- Industrial / Manufacturing



- Parking / Exterior
- Retail
- Stairwell
- Transport
- Warehouse / Storage

---

## SPECIFICATION

---

### CONSTRUCTION

- Housing: Injection moulded polycarbonate
- Finish: Matt white
- Diffuser: Injection moulded clear polycarbonate
- ISO 7010 or Euro Norm Legends with all directional arrow options.
- IK07
- IP65

### ENVIRONMENTAL

- Every luminaire is labelled with a unique ID number allowing easy identification of spare parts for the lifetime of the product.
- UK based manufacturing providing local support throughout the product lifetime and minimising transportation miles.

### EMERGENCY

- Available with optional standard, self test and autotest integral emergency with lithium batteries for extended warranty and lifetime.
- Optional Reacta-Link wireless emergency for automated centralised reporting.
- Optional Reacta-Control wireless emergency for automated centralised reporting.
- Optional central battery changeover relay

### CONTROL

- Optional compatibility with a range of dimming systems including DALI, DSI and Switch Dimming

### INSTALLATION

- Suitable for conduit installation
- Suitable for surface installation
- Supplied with rear mounting points and side conduit entry.

---

## IMAGES

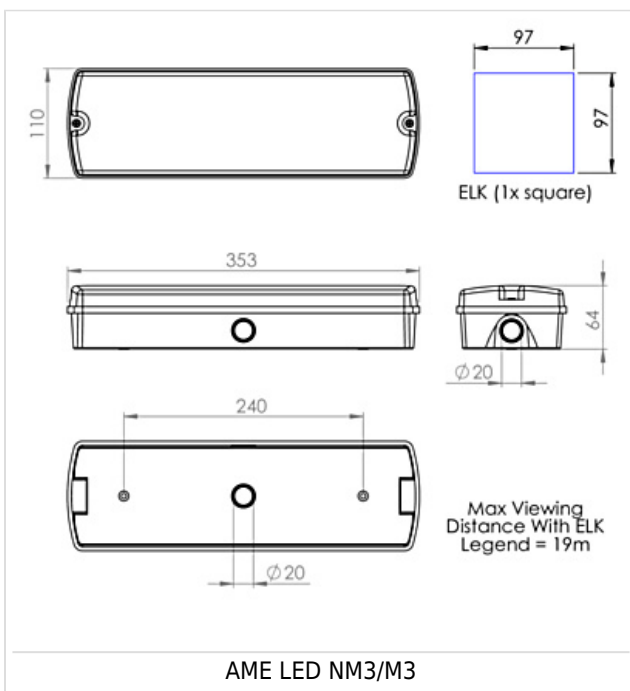
---

### PRODUCT IMAGES



AME2 LED

TECHNICAL



WARRANTY

At Dextra our commitment to service has been at the forefront throughout our history spanning more than forty years in the UK lighting market. Our service ethos extends beyond design and delivery, we believe supporting your installation throughout the warranty period is equally crucial, whilst the strength and longevity of Dextra Group provides peace of mind that our warranty will be supported throughout.

The Dextra range is supplied with a five year warranty commencing from the date of delivery. During the first three years

defects will be repaired on site and the warranty will include both parts and labour. For the final two years drivers, emergency modules, wireless modules, sensors and LED circuits will be supplied free of charge to replace defective components, labour and other associated costs are not included.

Certain ranges and components are subject to exemptions:

- Lithium batteries are provided with a three year warranty for parts and labour. Nickel Metal Hydride and Nickel Cadmium batteries are provided with a one year warranty for parts and labour.
- Emergency luminaires including AME LED, EXI LED, EXI2 LED, EXI Track, HBE LED, HBE2 LED, OAT2 LED, OEZ LED and Twinspot with Nickel Metal Hydride batteries are supplied with a one year warranty for parts and labour. Lithium variants of these ranges are supplied with a three year warranty for parts and labour with the exception of the AME2, EXI3, HBE3 and TWS IP65 L7 ranges which are supplied with a one year parts and labour warranty. TWS IP65 L7 in autotest and wireless variants are supplied with the standard three year lithium battery warranty.
- Protec Micro, PTECF7 Fire Rated Downlights, Serenus and the Opus Sconce are provided with a five year replacement luminaire only warranty. Protec FR Fire Rated Downlights are provided with a 2 year replacement luminaire only warranty.
- Controls systems such as standalone sensors, switches, marshalling boxes and cabling are provided with a one year warranty for both parts and labour. DALI control systems are provided with a two year warranty for both parts and labour.
- LEDextra ranges are supplied with a three year parts or replacement luminaire only warranty with the exception of the IMPR RGBW, the Runway RGBW and the MOD RGBW. These three ranges are supplied with our standard five year warranty during which defects within the first three years will be repaired on site and the warranty includes both parts and labour. For the final two years free of charge replacement components only will be supplied to rectify any failures but labour and other associated costs are not included.
- LEDEX ranges are supplied with a three year replacement luminaire only warranty.

All warranties are subject to correct use of the product and will be invalidated by misuse, for example incorrect installation, unsuitable environmental conditions or incorrect maintenance. It is the duty of the customer to ensure that all the fault lies with the luminaire prior to requesting replacement parts or site repairs. In the event that no defect is found with the product our costs for attending site will be recharged to the customer and credit will not be issued against returned products. No consequential losses incurred resulting from any defect with our product will be reimbursed.

Given the nature of LED technology a small percentage of LEDs may fail during the lifetime of a luminaire, this does not cause a reduction in lumen output. As such LED luminaires are only deemed to be faulty for warranty purposes when in excess of ten percent of LEDs have failed in a single luminaire

On site repair of products under warranty will be undertaken during normal working hours, 9am to 5pm Monday to Friday, and will require unrestricted access to luminaires. Where required Dextra will provide access equipment to carry out repairs at height, should luminaires have been installed in locations where reasonable provision for maintenance access has not been made we reserve the right to supply replacement product only.

If you require any assistance with regards to our products please contact our Customer Services department on 01747 858100.

[DOWNLOAD WARRANTY PDF](#)



---

## ORDER CODES

---

### LUMINAIRE CODES

Code	Description
AME LED NM3 LE3	Amenity LED, Non Maintained, Lithium Standard Emergency 3 Hour
AME LED M3 LE3	Amenity LED, Maintained, Lithium Standard Emergency 3 Hour
AME LED NM3 LS3	Amenity LED, Non Maintained, Lithium Self Test Emergency 3 Hour
AME LED M3 LS3	Amenity LED, Maintained, Lithium Self Test Emergency 3 Hour
AME LED NM3 LA3	Amenity LED, Non Maintained, Lithium AutoTest Emergency 3 Hour
AME LED M3 LA3	Amenity LED, Maintained, Lithium AutoTest Emergency 3 Hour

### EMERGENCY

Code	Description
CB	Central Battery, Please Specify 50V, 110V or 230V when Ordering

### MISCELLANEOUS

Code	Description
AME ELK	Emergency Legend Kit
AME ELK ISO	Emergency Legend Kit, ISO 7010