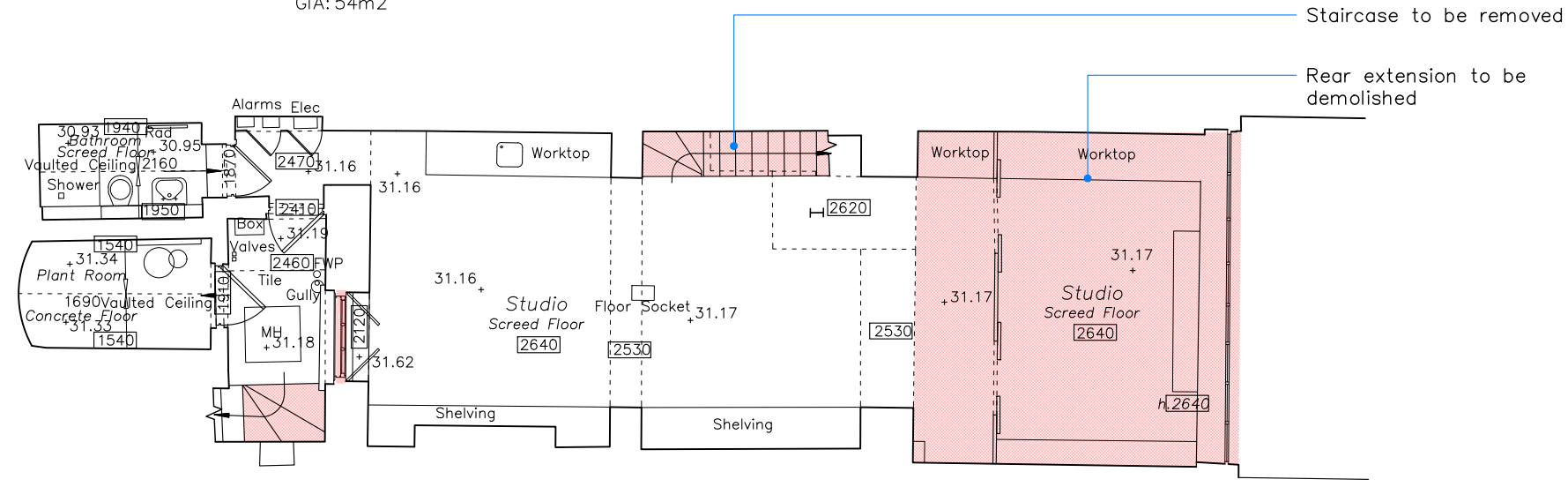


GROUND FLOOR PLAN
GIA: 54m²

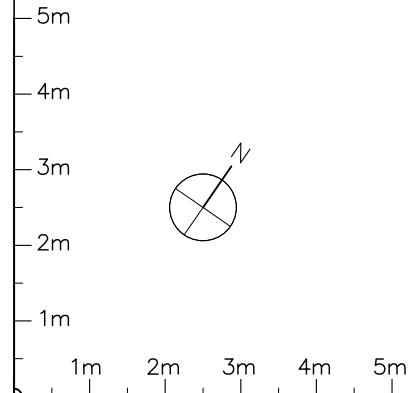


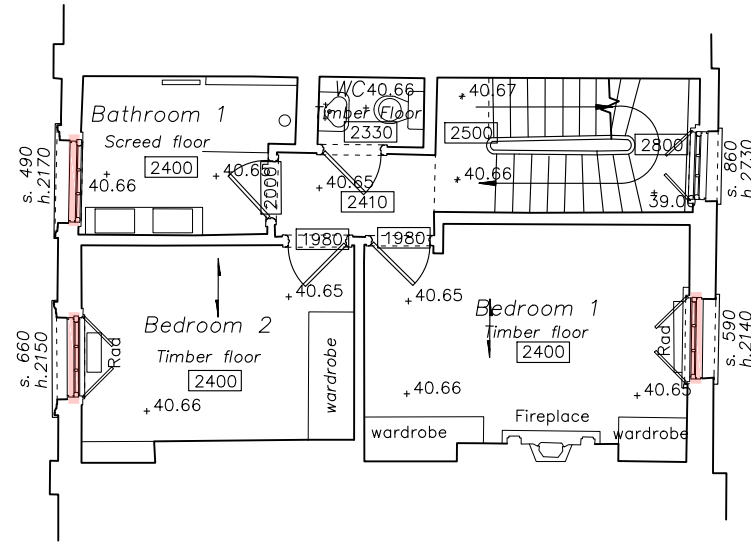
LOWER GROUND FLOOR PLAN
GIA: 80m²

DEMOLITION WORKS

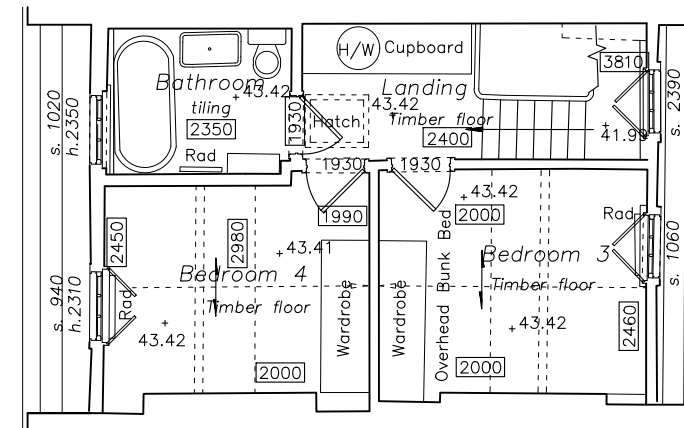
- GENERAL NOTES:**
1. This Drawing is the copyright of Crawford and Gray Architects Ltd and must not be used retained, copied or used without Crawford and Gray Architects Ltd's authority.
 2. Do not scale drawings.
 3. All dimensions to be verified by the Contractor and any discrepancies must be reported to the Architect before the commencement of the works.
 4. All works, setting out, levels, components, materials and finishes (providing samples as required) are to be inspected and approved by the Architect before the commencement of the works.
 5. This drawing is to be read with all the relevant Architect and Project Consultants drawings, specifications and other relevant information. Any discrepancies must be reported to the Architect before the commencement of the works.
 6. This drawing is design intent purposes only. The Contractor must prepare construction/shop drawings to implement the design intent following good practice, relevant statutory requirements, Building British Standards and Construction Products Associations recommendations and guidelines.
 7. Contractor must prepare fabrication drawings and all relevant specification sheets and details for Client/ Architect approval

Crawford and Gray Architects Ltd			
7 Marylebone Lane, London, W1U 1DF T: 020 7221 5966 W: www.crawfordandgray.co.uk E: info@crawfordandgray.co.uk			
Client:	Drawing Title: As Existing Lower Ground and Ground Floor Plans		
Project: 48 Mornington Terrace, London, NW1 7RT	Scale: 1:50@A1/1:100@A3	Drawn by:	Checked by:
Date: 10.07.2023	Drawing No: 516.S101		

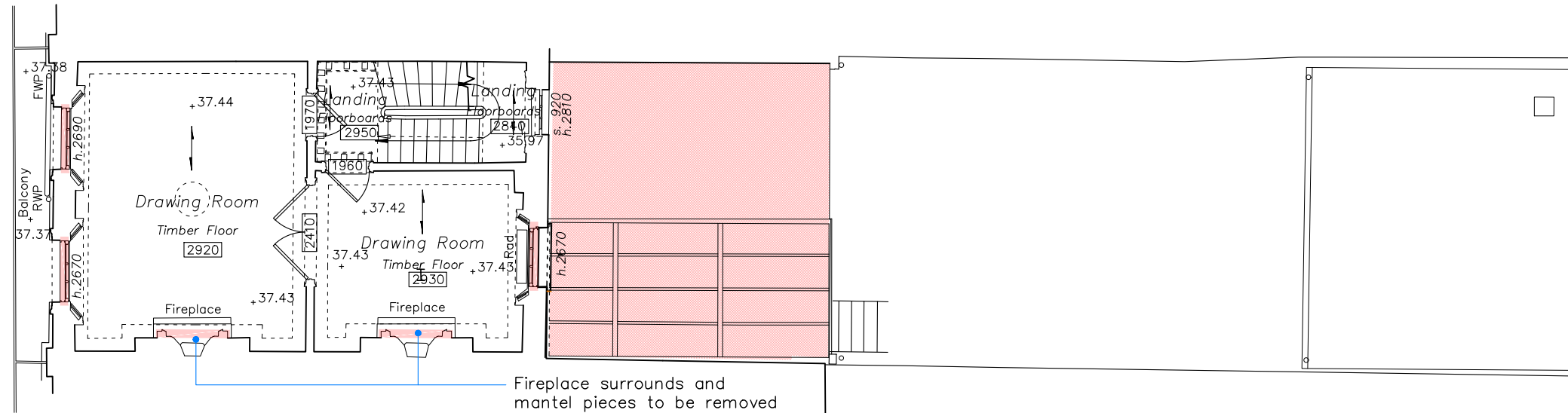




SECOND FLOOR PLAN
GIA: 40m²



THIRD FLOOR PLAN
GIA: 37m²



FIRST FLOOR PLAN
GIA: 40m²

DEMOLITION WORKS

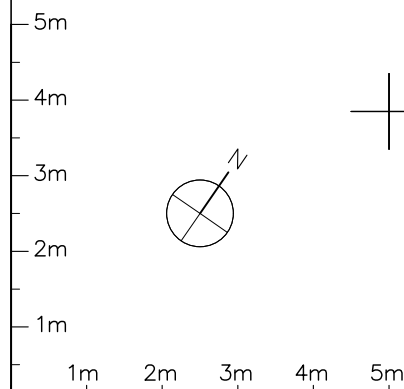
Fireplace surrounds and mantel pieces to be removed

GENERAL NOTES:

1. This Drawing is the copyright of Crawford and Gray Architects Ltd and must not be used retained, copied or used without Crawford and Gray Architects Ltd's authority.
2. Do not scale drawings.
3. All dimensions to be verified by the Contractor and any discrepancies must be reported to the Architect before the commencement of the works.
4. All works, setting out, levels, components, materials and finishes (providing samples as required) are to be inspected and approved by the Architect before the commencement of the works.
5. This drawing is to be read with all the relevant Architect and Project Consultants drawings, specifications and other relevant information. Any discrepancies must be reported to the Architect before the commencement of the works.
6. This drawing is design intent purposes only. The Contractor must prepare construction/ shop drawings to implement the design intent following good practice, relevant statutory requirements, Building British Standards and Construction Products Associations recommendations and guidelines.
7. Contractor must prepare fabrication drawings and all relevant specification sheets and details for Client/ Architect approval

Crawford and Gray Architects Ltd
7 Marylebone Lane, London, W1U 1DF | T: 020 7221 5966
W: www.crawfordandgray.co.uk | E: info@crawfordandgray.co.uk

Client:	Drawing title: As Existing First, Second and Third Floor Plans		
Project: 48 Mornington Terrace, London, NW1 7RT	Scale: 1:50@A1/1:100@A3	Drawn by:	Checked by:
Date: 10.07.2023	Drawing No: 516.S102		





FRONT ELEVATION

Windows to be removed



REAR ELEVATION

Windows to be removed

GENERAL NOTES:

1. This Drawing is the copyright of Crawford and Gray Architects Ltd and must not be used retained, copied or used without Crawford and Gray Architects Ltd's authority.
2. Do not scale drawings.
3. All dimensions to be verified by the Contractor and any discrepancies must be reported to the Architect before the commencement of the works.
4. All works, setting out, levels, components, materials and finishes (providing samples as required) are to be inspected and approved by the Architect before the commencement of the works.
5. This drawing is to be read with all the relevant Architect and Project Consultants drawings, specifications and other relevant information. Any discrepancies must be reported to the Architect before the commencement of the works.
6. This drawing is design intent purposes only. The Contractor must prepare construction/shop drawings to implement the design intent following good practice, relevant statutory requirements, Building British Standards and Construction Products Associations recommendations and guidelines.
7. Contractor must prepare fabrication drawings and all relevant specification sheets and details for Client/ Architect approval

Crawford and Gray Architects Ltd
 7 Marylebone Lane, London, W1U 1DF | T: 020 7221 5966
 W: www.crawfordandgray.co.uk | E: info@crawfordandgray.co.uk

Client:	Drawing Title: As Existing Front and Rear Elevations		
Project: 48 Mornington Terrace, London, NW1 7RT	Scale: 1:50@A1/1:100@A3	Drawn by:	Checked by:
Date: 10.07.2023	Drawing No: 516.S103		

GENERAL NOTES:

1. This Drawing is the copyright of Crawford and Gray Architects Ltd and must not be used retained, copied or used without Crawford and Gray Architects Ltd's authority.
2. Do not scale drawings.
3. All dimensions to be verified by the Contractor and any discrepancies must be reported to the Architect before the commencement of the works.
4. All works, setting out, levels, components, materials and finishes (providing samples as required) are to be inspected and approved by the Architect before the commencement of the works.
5. This drawing is to be read with all the relevant Architect and Project Consultants drawings, specifications and other relevant information. Any discrepancies must be reported to the Architect before the commencement of the works.
6. This drawing is design intent purposes only. The Contractor must prepare construction/ shop drawings to implement the design intent following good practice, relevant statutory requirements, Building British Standards and Construction Products Associations recommendations and guidelines.
7. Contractor must prepare fabrication drawings and all relevant specification sheets and details for Client/ Architect approval



DATUM: 30m

SECTION AA

DEMOLITION WORKS

Rear extension to be demolished

Staircase to be removed

5m
4m
3m
2m
1m

1m 2m 3m 4m 5m

Crawford and Gray Architects Ltd			
7 Marylebone Lane, London, W1U 1DF T: 020 7221 5966 W: www.crawfordandgray.co.uk E: info@crawfordandgray.co.uk			
Client:	Drawing title: As Existing Section AA		
Project: 48 Mornington Terrace, London, NW1 7RT	Scale: 1:50@A1/1:100@A3	Date: 10.07.2023	Checked by: Drawing No: 516.S104