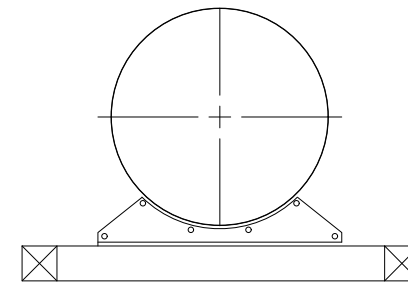
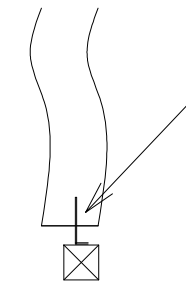


**C100 STRUT WALL
FIXING DETAILS TYPICAL**

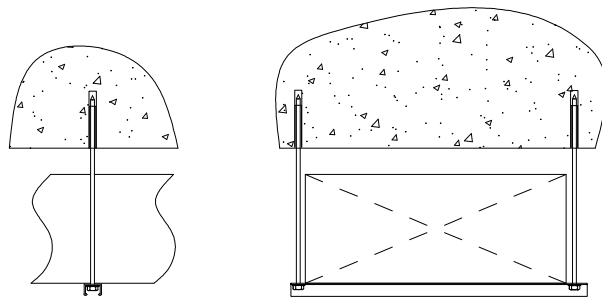
40X40 Heavy duty struts/rawl bolted to wall using 2no m10 (8.8) resin anchors. Resin to be Hiliti HIT HY270 installed strictly in accordance with manufacturers instructions



**C102 MOUNT FEETS
FIXING DETAILS TYPICAL**

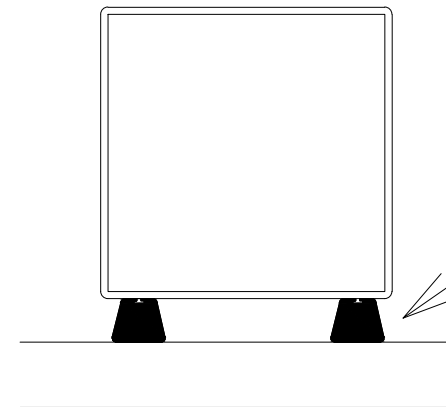


JM mounting feet screwed to timber frame worked using 2no m8 wood screw. The timber frame work will be done by the client, and all spiral ducting is going to be located on the frame.



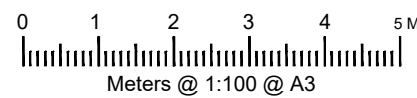
**C101 STRUT CEILING
FIXING DETAILS TYPICAL**

30X40 Heavy duty struts/rawl bolted to ceiling using 2no m10 (8.8) resin anchors. Resin to be Hiliti HIT HY270 installed strictly in accordance with manufacturers instructions



Anti vibration feet located under to all heavy equipment worked on the platform.

**C103 MOUNT ANTI
VIBRATION FEETS
FIXING DETAILS TYPICAL**



The drawing is copyright. Only figured dimensions to be worked to.

Key Plan:

Drawing Title:
CONNECTION TYPE

Scale: 1@100 A3 SHEET

Status:
PLANNING

Client:
82 Camden High
Street

Drawing No:
100E17-006

Address: 82 Camden High
Street, NW1 0LT