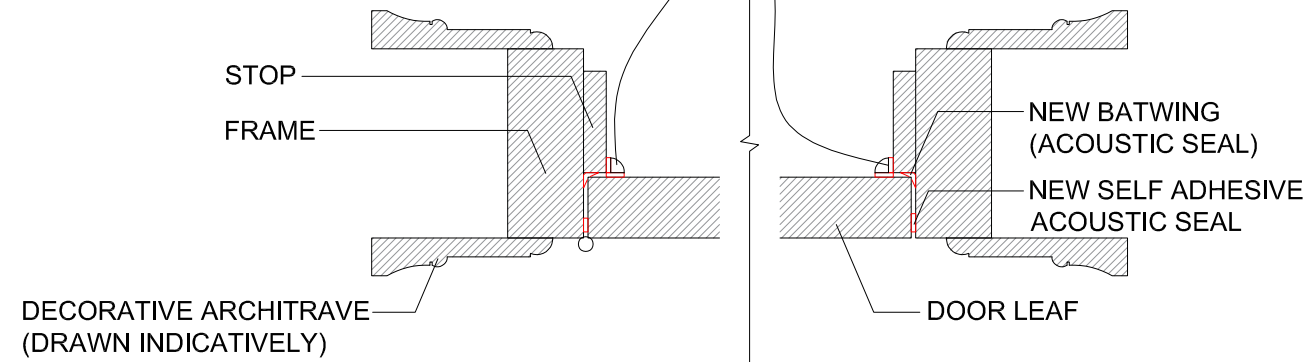
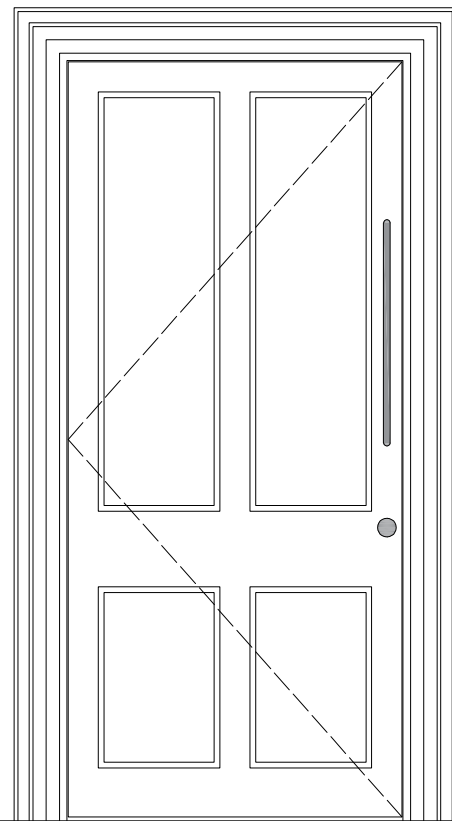


REFER TO DRAWING 3147-GSP-1008 & 1009 FOR ALL LOCATIONS WHERE SEALS ARE TO BE INSTALLED

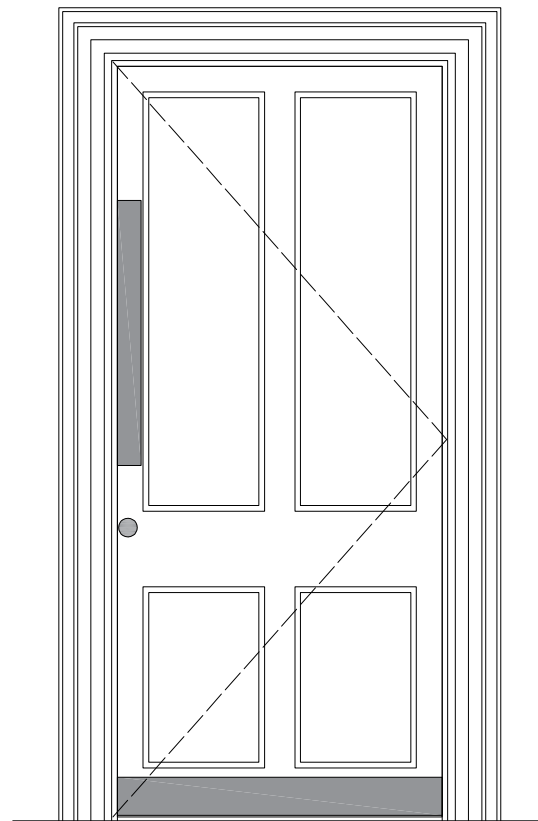
NEW SELF ADHESIVE ACOUSTIC SEALS TO DOOR & STOP. ADHERE TIMBER STRIP TO JAMBS AND HEAD & DECORATE IN TO MATCH DOORSET



3 TYPICAL DOOR PLAN - AS PROPOSED
55-59 GORDON SQUARE 1:5 @ A3

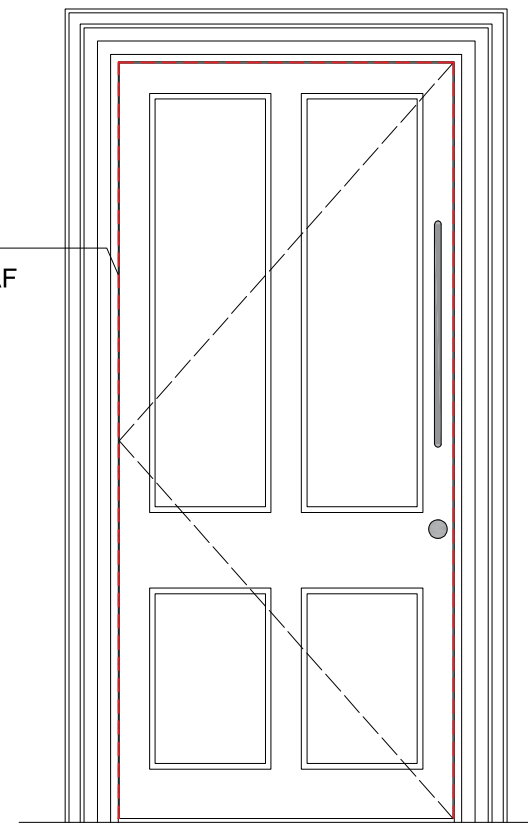


PULL SIDE

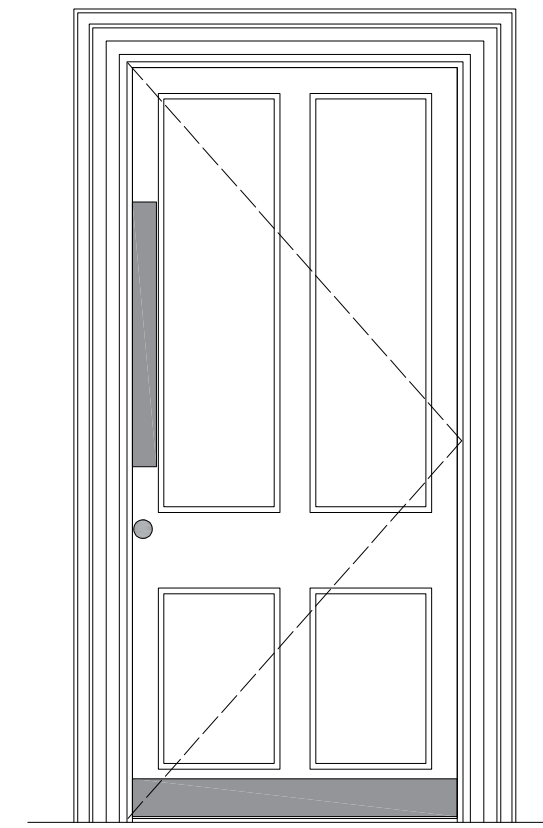


PUSH SIDE

ACOUSTIC SEAL TO BE INSERTED BETWEEN LEAF AND FRAME



PULL SIDE



PUSH SIDE

1 TYPICAL DOOR ELEVATION - AS EXISTING
55-59 GORDON SQUARE 1:10 @ A1

2 TYPICAL DOOR ELEVATION - AS PROPOSED
55-59 GORDON SQUARE 1:10 @ A1

© Architon LLP 2014

This drawing is the property of Architon LLP and must not be divulged to anyone, copied or reproduced, or used for marketing, advertising or promotional purposes without the express written permission of Architon LLP.

All dimensions are to be checked on site and not scaled from this drawing. Contractors must verify all dimensions on site before setting out, commencing work or preparing shop drawings. Any discrepancies on this drawing with other contract documentation to be reported immediately for clarification.

Notes

PLANNING ISSUE

Rev	Description	Date
P4	PLANNING ISSUE	15.08.2023
P3	PLANNING ISSUE	17.07.2023
P2	PLANNING ISSUE	14.07.2023
P1	PLANNING ISSUE	05.07.2023



Client
University College London
55-59 Gordon Square
London, WC1H 0NU

Drawing title
Typical Door Detail
New Acoustic Seals
Planning Application GSP

Scale	Date	Drawn
1:10@A1 / 1:5@A3	July 2023	MJR

ARCHITON LLP
CHARTERED ARCHITECTS · DESIGN · PLANNING CONSULTANTS · DEVELOPMENT · BUILDING COST MANAGEMENT
UPPER DECK 17A WEST STREET EPSOM KT18 7RL TEL:01372 745600 FAX:01372 745016 Email:info@architon.com

Drawing No
3147-GSP-1012 - P4
ARCHITON LLP certified to: BS EN ISO 9001 BS EN ISO 14001 IIP Accreditation

