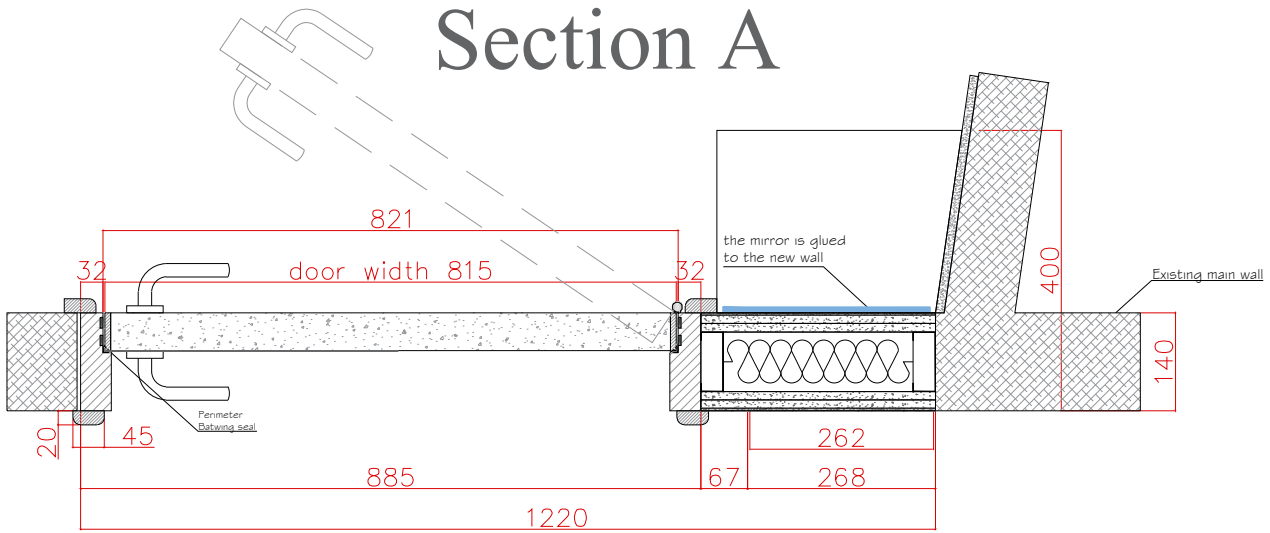
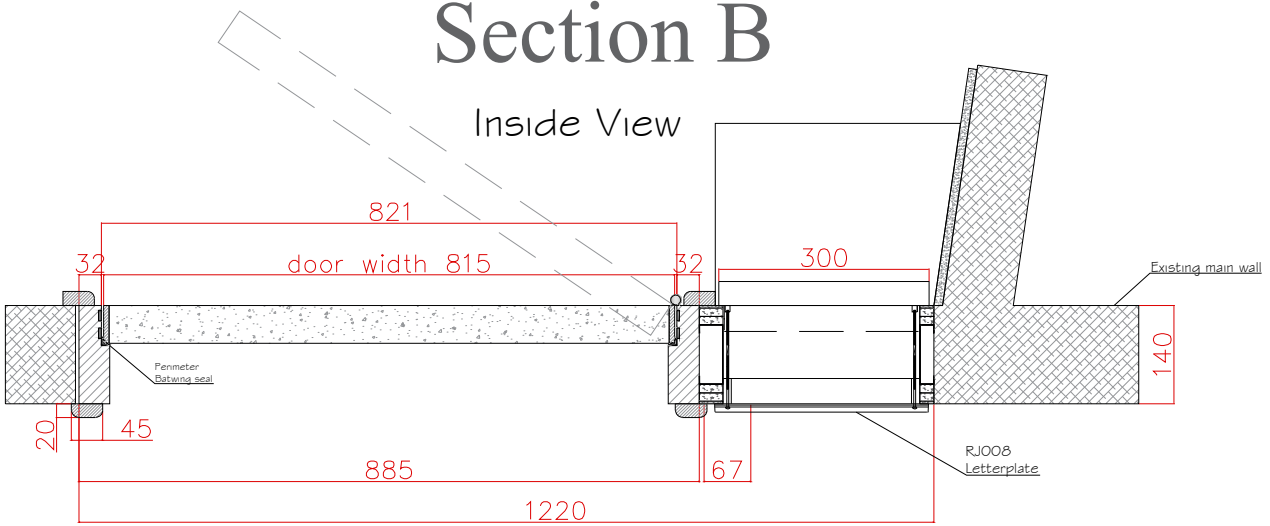


# Section A



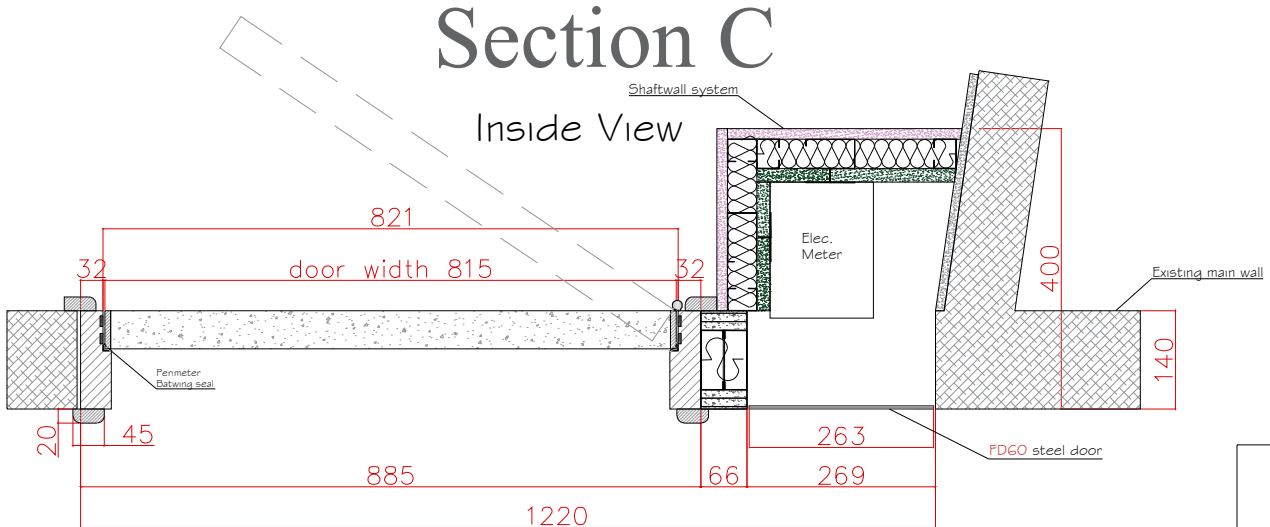
Corridor View

# Section B



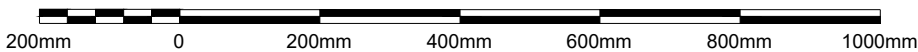
Corridor View

# Section C



Corridor View

1:10



Supplier:		
Rev	Date	Rev. summary
01	30/03/2023	For approval
02	05/07/2023	Design correction
03	10/08/2023	Design correction
04	15/08/2023	For approval
Scale:	A3 - 1:10	drawing by: Giedrus
Date:	22/08/2023	FDGOs
Drawing Description:	Entrance Door With side panel	
Door No:	FED	Drawing No: WO-003847