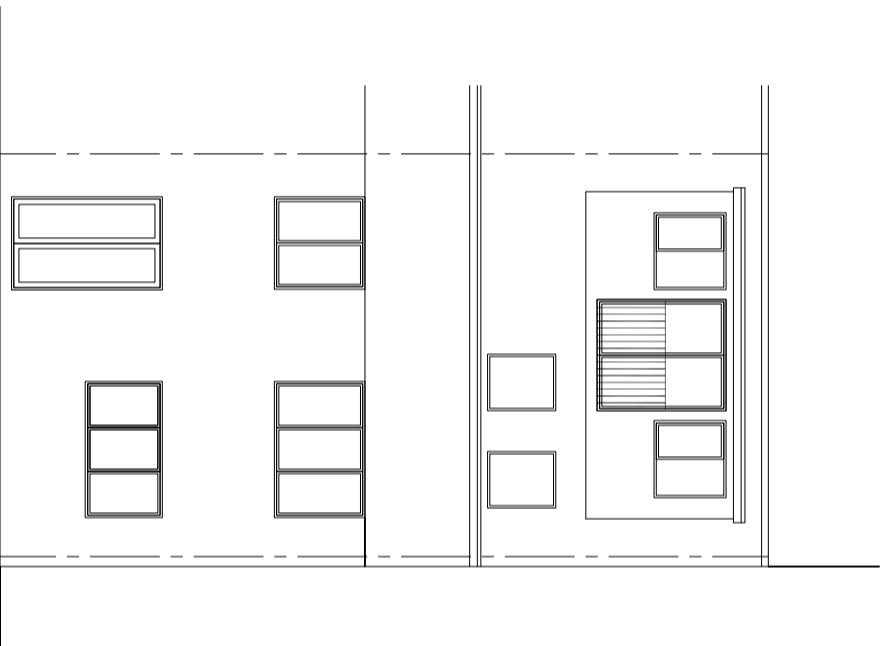
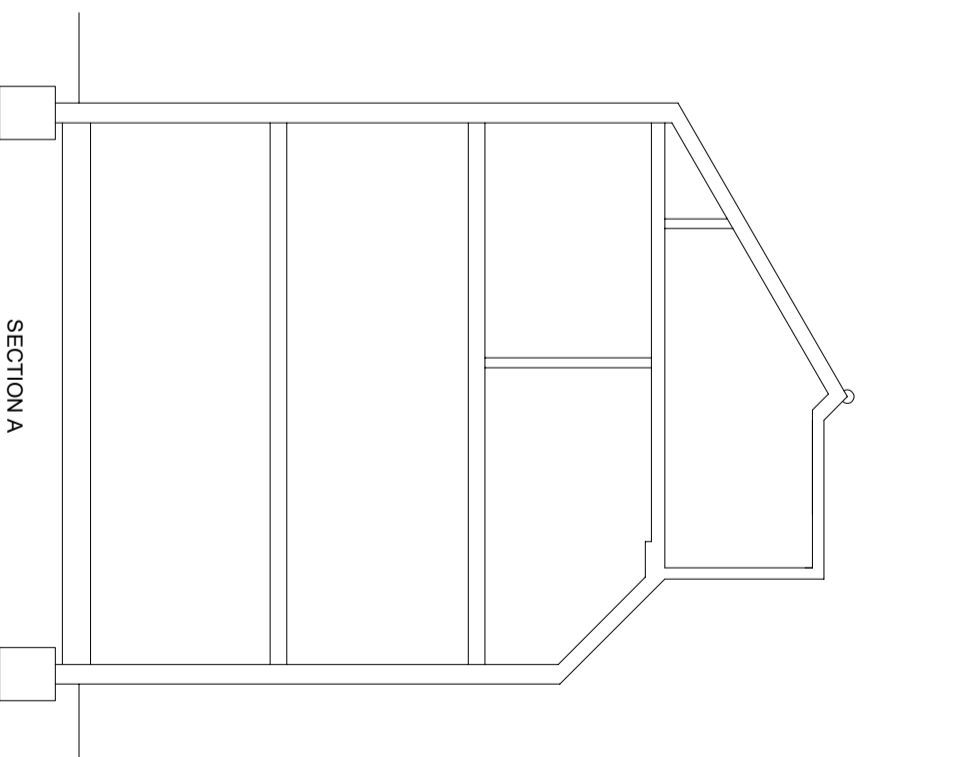


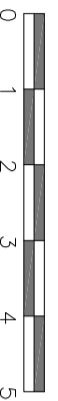
FRONT ELEVATION



REAR ELEVATION



SECTION A



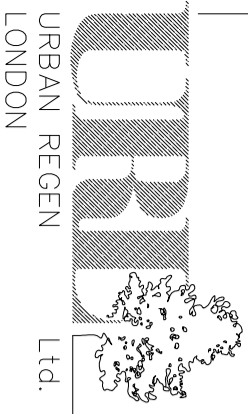
TITLE SURVEY DRAWINGS

ADDRESS 96 CANFIELD GARDENS
LONDON, NW6

CLIENT RAINBOW PROPERTIES Ltd.

SCALE 1:100 @ A3 DATE AUG 2023

DRAWING NO. 230821/03 REV.



URBAN REGEN
LONDON Ltd.

Tel: 07970 647 449 Fax: 020 8963 9991 Email:
urlondon@aol.com