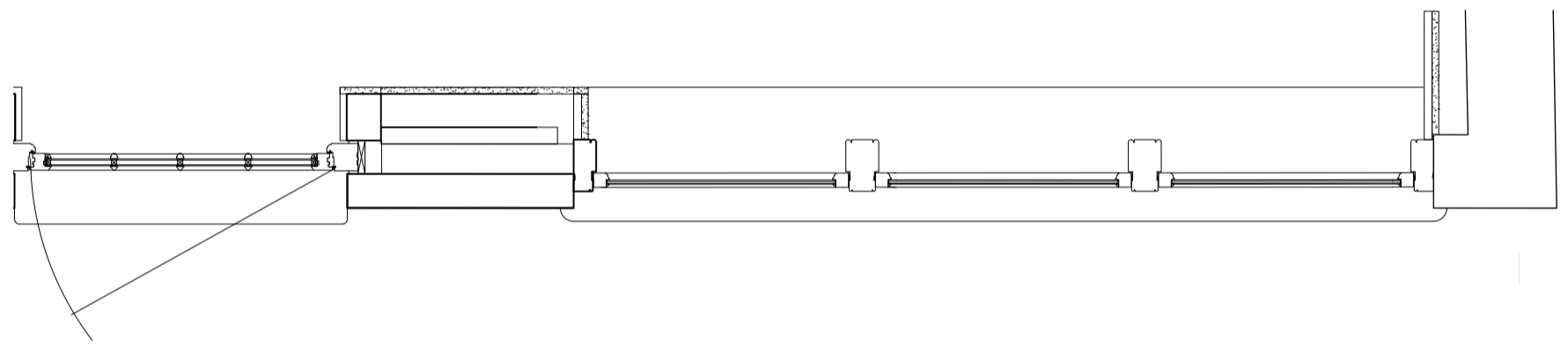




1 Plan & Elevation - Window Casing
Scale: 1:20

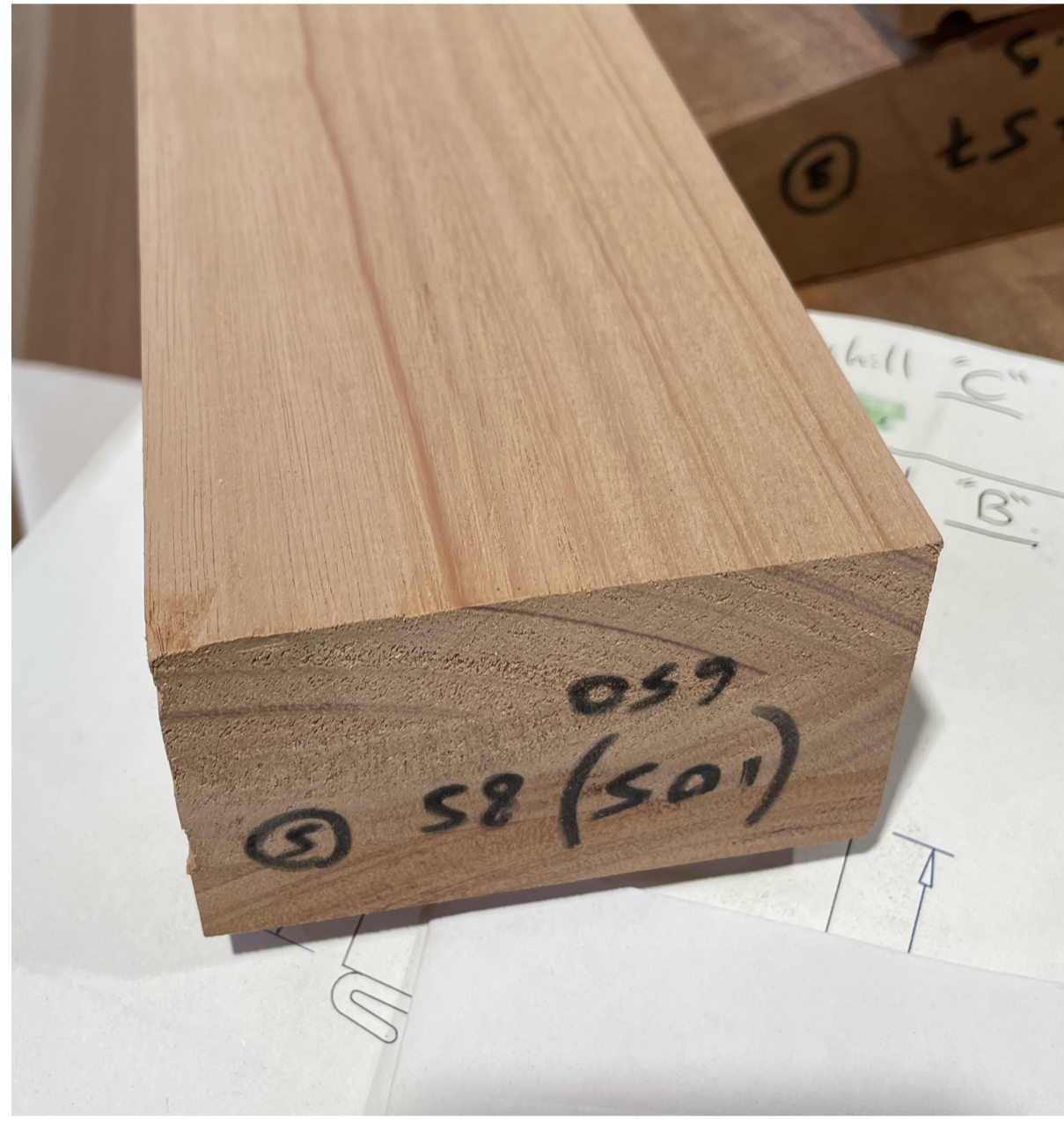


2 Photomontage of Window
Scale: 1:20
For Reference Only

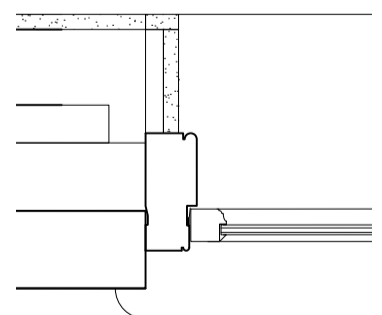


8 Window Profile Example
Scale: 1:20
For Reference Only

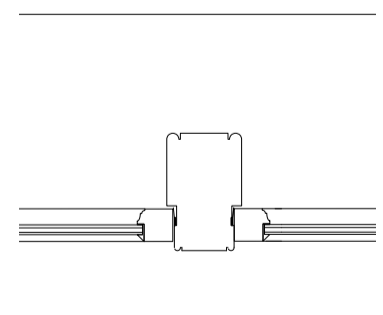
Window Type	W.T05
Window Description	Double glazed hardwood timber window
Window Number	W1.04
Structural Opening	See drawing
Leaf size	N/A
Timber Type	Red Grandis; a tight grained hardwood.
Finish	Farrow and Ball Colour 'Blue Gray'
Ironmongery Set	N/A
Glass Specification	Double Glazed



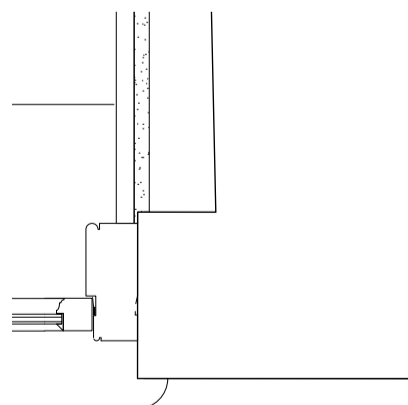
Red Grandis Timber Window Joinery To Be Painted



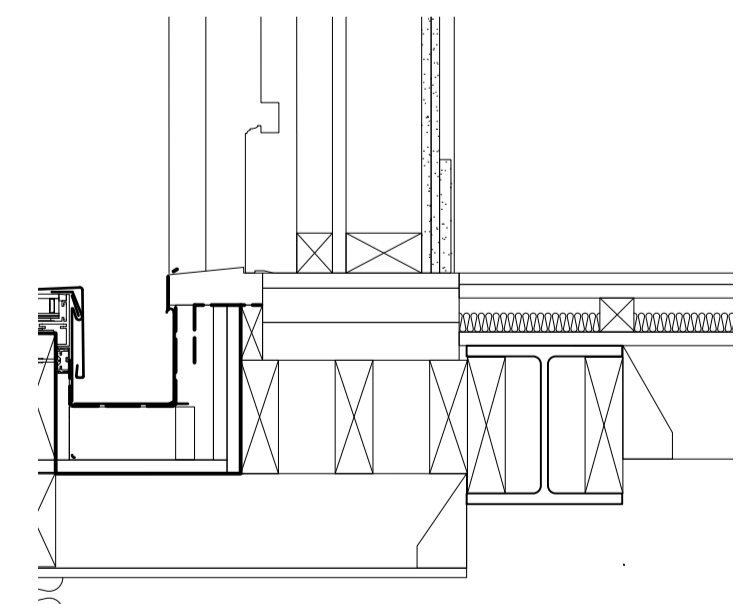
7 Plan of Window Casing
Scale: 1:10



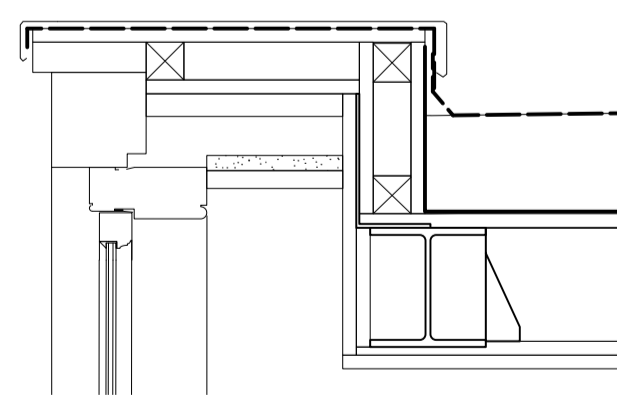
6 Plan of Window Casing
Scale: 1:10



5 Plan of Window Casing
Scale: 1:10



4 Section Base of Window Frame
Scale: 1:10

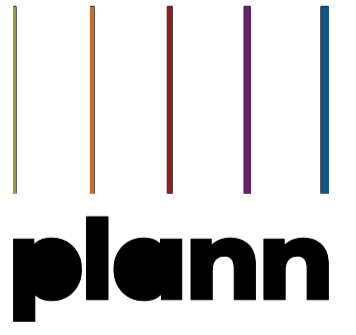


3 Section Top of Window Frame
Scale: 1:10

Project title
Well Walk Theatre
Hampstead

Drawing title
Window Type 05 - Details

Drawing type
DRAWING



40 Mortimer Street, London W1W 7RQ
T +44 (0)20 3846 9230
www.plann.co

Scale Various	Size A1	Status PLANNING	
Drawn TH	Date 10.07.23	Checked JT	Date JT
DWG 21004-31-005		REV -	