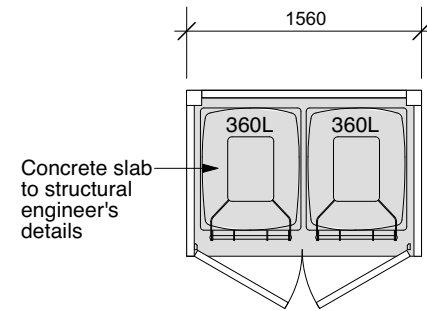
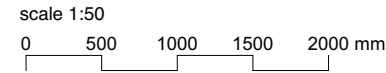
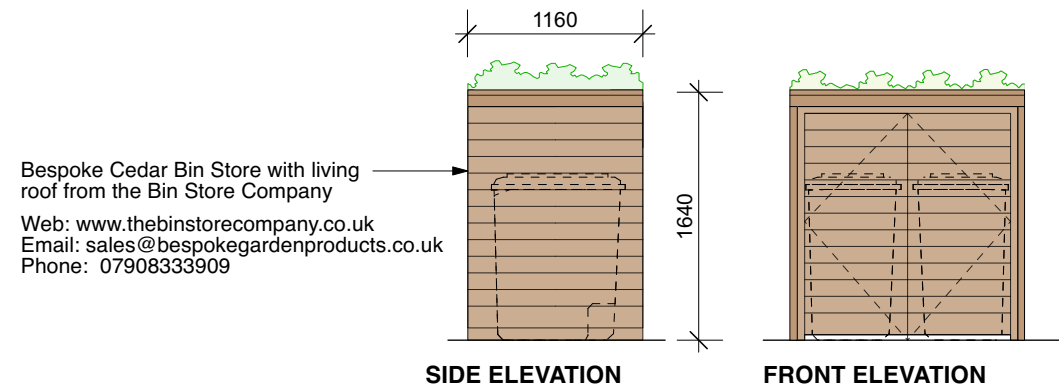


BIN SIZES

360 litre wheelie bin type
 885mm D x 620mm W x 1100mm H
 3 no. 360L waste wheelie bins, 1 for garden waste,
 1 for refuse & 1 for recycling
 1 no. 23L food bin

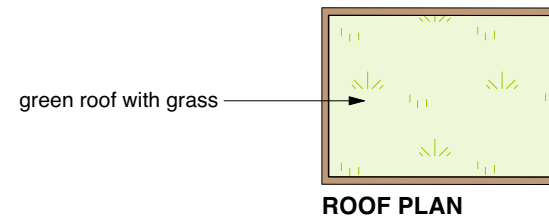


PROPOSED PLAN



SIDE ELEVATION

FRONT ELEVATION



ROOF PLAN



EXAMPLE VIEW 1



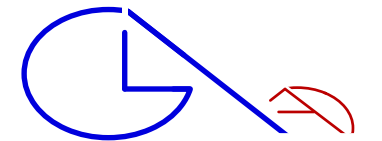
EXAMPLE VIEW 2



Driveway Permeable Block Paving & Paving Borders
 Product: 200mm x 100mm Driveline Piora permeable paving
 Thickness: 60mm
 Colour: Buf
 Manufacturer: Marshalls Mono Ltd.
 Contact: 0333 920 9096



Paving Slabs
 Product: 900mm x 900mm Fairstone Sawn Versuro® Jumbo
 Thickness: 22mm
 Colour: Golden Sand
 Manufacturer: Marshalls Mono Ltd.
 Contact: 0333 920 9096



GLA Architecture and Design

Southgate Office Village, Block E,
 286A Chase Road, London, N14 6HF
 T 020 8886 5100 E g@glaad.co.uk

Revision:- **A2:** 14.08.23: dk : Bin enclosure size amended
 Revision:- **A1:** 11.04.23: dk : Client's name amended.

Client MR. CHARALAMBOS LOIZOU		
Main Contractor		
Project PROPOSED DRIVEWAY TO 182 REGENTS PARK ROAD, LONDON NW1 8XP		
Drawing Title PROPOSED BIN STORE & PAVING SAMPLES		
Scale 1:50 @ A3	Date March 2023	Drawn By DK
Project No. 2306	Drawing No. 04	Rev. A2
DO NOT SCALE THIS DRAWING. ALL DIMENSIONS TO BE CHECKED ON SITE		
© Copyright This drawing is the copyright of GLA Architecture and Design Ltd. This drawings and any works executed from this drawing shall, unless otherwise agreed in writing by GLA Architecture and Design Ltd, remain the property of the architect.		
DRAWING STATUS		
A SCHEME - Outline/Scheme drawings for proposals, budgets, etc.		
B DESIGN DEVELOPMENT - Evolving final design drawings for approvals, tenders, billing etc.		
C CONSTRUCTION - Fully developed drawings issued under instruction for construction.		
ONLY STATUS 'C' DRAWINGS TO BE USED FOR CONSTRUCTION PURPOSES		