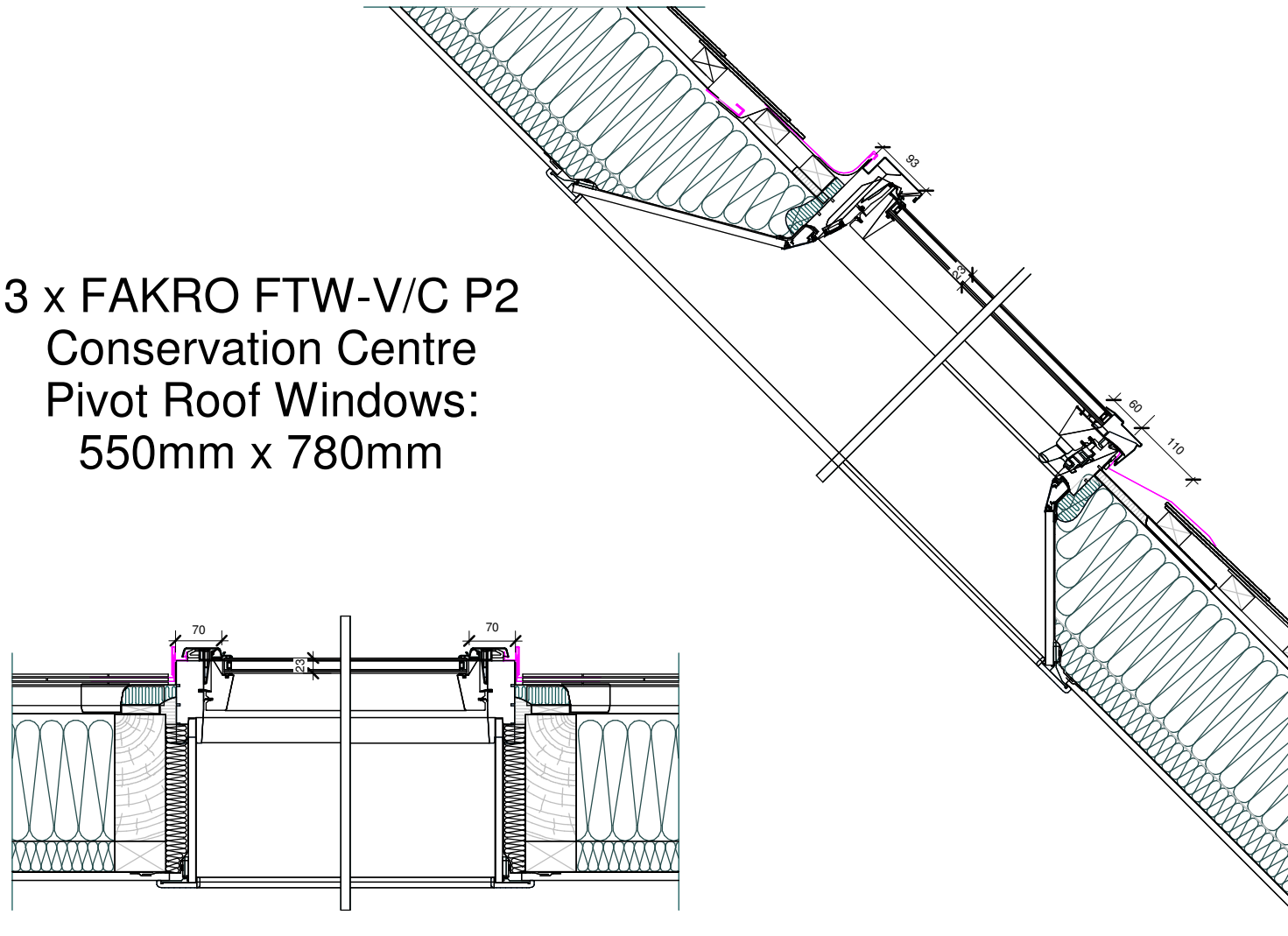


# Rooflights - Pitched.

1:10

3 x FAKRO FTW-V/C P2  
Conservation Centre  
Pivot Roof Windows:  
550mm x 780mm



**PROGRAMME:**

**KEY:**

	Neighbouring context	<b>RWP</b>	Rain Water Pipe
	Existing walls	<b>SVP</b>	Soil Vent Pipe
	Proposed walls		Boundary line
	Proposed rooflight		Existing removed
<b>MH</b>	Manhole		Existing beam
<b>B</b>	Boiler		1.2 m head height
<b>EM</b>	Electric Meter		1.5 m head height
<b>GM</b>	Gas Meter		Ridge line

**REVISION NOTES:**

REV:	DATE:	DESCRIPTION:

**GENERAL NOTES:**

- All Dimensions are in millimetres unless otherwise stated
- All work to be carried out in accordance with current building regulations and all relevant british standards/codes of practice.
- The Contractor is responsible for the correct setting out of the works on site, all dimensions to be checked prior to fabrication of materials and commencement of works.
- This Drawing is to be read in conjunction with all relevant drawings and specifications
- Exact SVP and Boiler position to be determined onsite by contractor
- A 'macerator toilet' would be required for a certain designs if the toilet location is away from existing SVP
- Steels imbedded into ceiling may be charged additionally by your contractor
- All proposed materials are to be similar in appearance to that of the existing house, unless otherwise stated.
- Skylights must not protrude past the roof slope by more than 150mm
- Glazing which exceeds 25% of the added floor area will result in extra charges for S.A.P Calculations
- Windows on a side elevation at first floor level or above must be obscured glazing and non openable below 1.7m
- Load-bearing partitions and/or posts are shown in a rough position. The exact position is to be confirmed by a structural engineer prior to construction.



FREEDOM HOMES

Freedom Homes, Ealing Cross, 85 Uxbridge Rd, London W5 5BW

**CLIENT:** Ina Burgstaller

**PROJECT:** Changes to fenestration

2B Tanza Road  
NW3 2UB

**PROJECT ADDRESS:**

ROOF WINDOW DETAIL

**DRAWING TITLE:**

**DRAWN BY:** FH | **CHECKED BY:** JH

**DATE:** 24.05.2023 | **Rev:** 02 | **Rev. DATE:** 01.08.2023

**SCALE@A3:** | **DRAWING No:** TR-R02-PR-107